



TITAN®

SERVICE MANUAL

POWRLINER™ 3500 / 3500S

PERMASTROKE TECHNOLOGY™

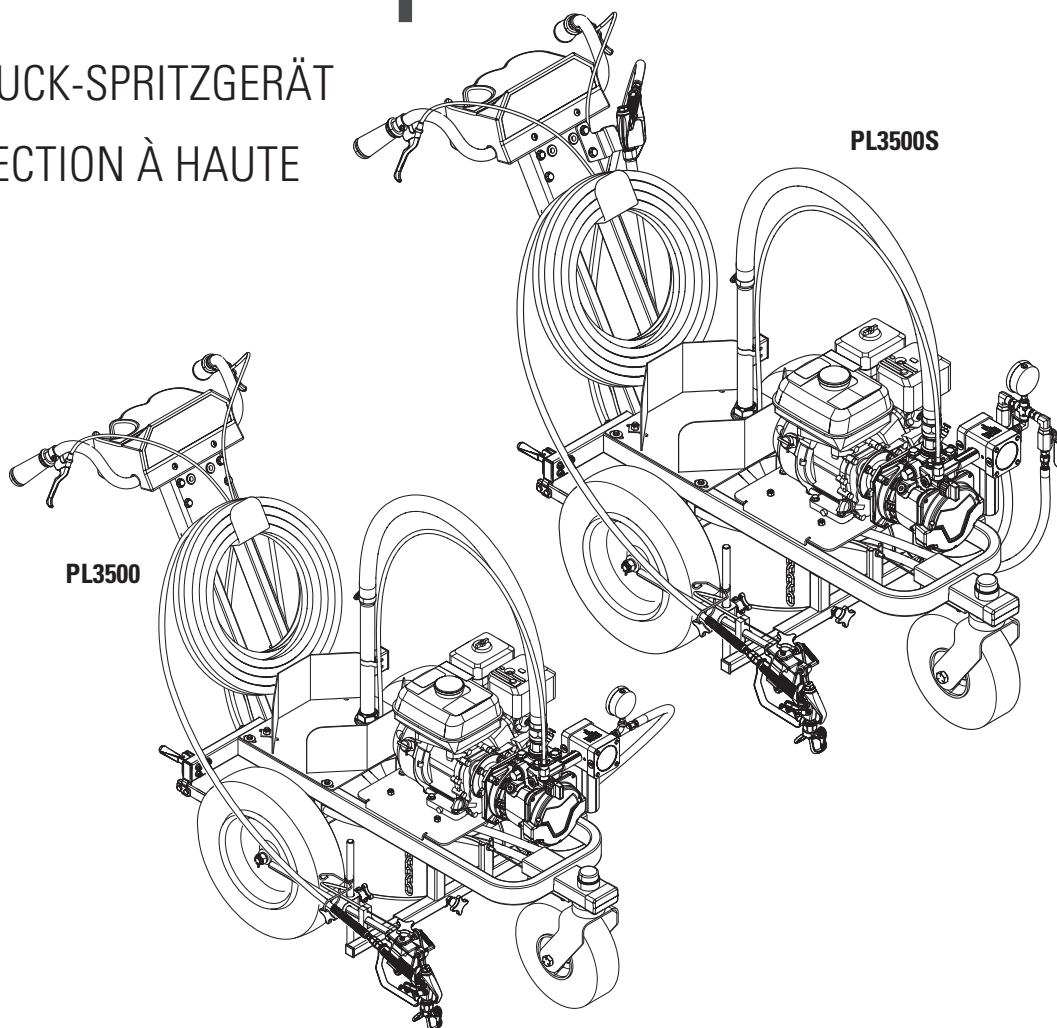
Hydraulic Fluid Displacement Pump System Inside

AIRLESS, HIGH-PRESSURE
SPRAYING UNIT

AIRLESS HOCHDRUCK-SPRITZGERÄT

GROUPE DE PROJECTION À HAUTE
PRESSION

- GB -	SERVICE MANUAL	2
- D -	SERVICEHANDBUCH	10
- F -	MANUEL D'ENTRETIEN	18



MODELS:

PL3500	537015
PL3500S	2417440

Warning!

Attention: Danger of injury by injection!
Airless units develop extremely high spraying pressures.

**1**

Never put your fingers, hands or any other parts of the body into the spray jet!

**Never point the spray gun at yourself, other persons or animals.
Never use the spray gun without safety guard.**

Do not treat a spraying injury as a harmless cut. In case of injury to the skin through coating materials or solvents, consult a doctor immediately for quick and expert treatment. Inform the doctor about the coating material or solvent used.

2

The operating instructions state that the following points must always be observed before starting up:

1. Faulty units must not be used.
2. Secure Titan spray gun using the trigger lock on the trigger.
3. Ensure that the unit is properly earthed.
4. Check allowable operating pressure of high-pressure hose and spray gun.
5. Check all connections for leaks.

3

The instructions regarding regular cleaning and maintenance of the unit must be strictly observed.

Before any work is done on the unit or for every break in work the following rules must be observed:

1. Release the pressure from spray gun and hose.
2. Secure the Titan spray gun using the trigger lock on the trigger.
3. Switch off unit.

Be safety conscious!

1	SAFETY REGULATIONS FOR AIRLESS	
	SPRAYING	4
1.1	Explanation of symbols used	4
1.2	Safety hazards	4
1.3	Gasoline engine safety	6
1.4	Fueling (gas engine)	7
2	REPAIRS	8
2.1	Inlet valve pusher	8
2.2	Inlet valve	8
2.3	Outlet valve	9
2.4	Pressure control valve	9
2.5	Typical wear parts	9
	SPARE PARTS LIST	26
	Spare parts list for the main assembly (PL3500)	26/27
	Spare parts list for the main assembly (PL3500S)	28/29
	Spare parts list for the cart assembly I	30/31
	Spare parts list for the cart assembly II	32/33
	Spare parts list for the pump assembly	34/35
	Spare parts list for the high-pressure filter	36
	Spare parts list for the outlet valve assembly	37
	Spare parts list for the inlet valve body assembly	38
	Spare parts list for siphon system	39
	Spare parts list for the gun holder assembly	40
	ACCESSORIES	41
	STRIPING TIPS	42
	STRIPING TIP CHART	44
	WARRANTY	45

1 SAFETY REGULATIONS FOR AIRLESS SPRAYING

1.1 EXPLANATION OF SYMBOLS USED

This manual contains information that must be read and understood before using the equipment. When you come to an area that has one of the following symbols, pay particular attention and make certain to heed the safeguard.



→ This symbol indicates a potential hazard that may cause serious injury or loss of life. Important safety information will follow.



Attention

→ This symbol indicates a potential hazard to you or to the equipment. Important information that tells how to prevent damage to the equipment or how to avoid causes of minor injuries will follow.



→ Danger of skin injection



→ Danger of fire from solvent and paint fumes



→ Danger of explosion from solvent, paint fumes and incompatible materials



→ Danger of injury from inhalation of harmful vapors



→ Notes give important information which should be given special attention.



→ **WARNING! CALIFORNIA PROPOSITION 65 WARNING**

This product can expose you to chemicals including lead, which are known to the State of California to cause cancer, birth defects, or other reproductive harm.

The engine exhaust from models with gas-powered engines can expose you to carbon monoxide which is known to the State of California to cause cancer, birth defects, and other reproductive harm.

For more information go to www.P65warnings.ca.gov.

1.2 SAFETY HAZARDS



HAZARD: INJECTION INJURY

A high pressure stream produced by this equipment can pierce the skin and underlying tissues, leading to serious injury and possible amputation.

Do not treat a spraying injury as a harmless cut. In case of injury to the skin through coating materials or solvents, consult a doctor immediately for quick and expert treatment. Inform the doctor about the coating material or solvent used.

PREVENTION:

- NEVER aim the gun at any part of the body.
- NEVER allow any part of the body to touch the fluid stream. DO NOT allow body to touch a leak in the fluid hose.
- NEVER put your hand in front of the gun. Gloves will not provide protection against an injection injury.
- ALWAYS lock the gun trigger, shut the fluid pump off and release all pressure before servicing, cleaning the tip guard, changing tips, or leaving unattended. Pressure will not be released by turning off the engine. The PRIME/SPRAY valve or pressure bleed valve must be turned to their appropriate positions to relieve system pressure.
- ALWAYS keep tip guard in place while spraying. The tip guard provides some protection but is mainly a warning device.
- ALWAYS remove the spray tip before flushing or cleaning the system.
- NEVER use a spray gun without a working trigger lock and trigger guard in place.
- All accessories must be rated at or above the maximum operating pressure range of the sprayer. This includes spray tips, guns, extensions, and hose.



HAZARD: HIGH PRESSURE HOSE

The paint hose can develop leaks from wear, kinking and abuse. A leak can inject material into the skin. Inspect the hose before each use.

PREVENTION:

- Avoid sharp bending or kinking of the high-pressure hose. The smallest bending radius amounts to about 8" (20 cm).
- Do not drive over the high-pressure hose. Protect against sharp objects and edges.
- Replace any damaged high-pressure hose immediately.
- Never repair damaged high-pressure hoses yourself!
- Electrostatic charging of spray guns and the high-pressure hose is discharged through the high-pressure hose. For this reason the electric resistance between the connections of the high-pressure hose must be equal to or lower than 1MΩ.
- For reasons of function, safety and durability use only original Titan high-pressure hoses.
- Before each use, check all hoses for cuts, leaks, abrasion or bulging of cover. Check for damage or movement of couplings. Immediately replace the hose if any of these conditions exist. Never repair a paint hose. Replace it with another earthed high-pressure hose.
- Make sure power cord, air hose and spray hoses are routed in such a manner to minimize slip, trip and fall hazard.



HAZARD: EXPLOSION OR FIRE

Flammable vapors, such as solvent and paint vapors, in work area can ignite or explode.



PREVENTION:

- Use equipment only in well ventilated area. Keep a good supply of fresh air moving through the area to keep the air within the spray area free from accumulation of flammable vapors. Keep pump assembly in well ventilated area. Do not spray pump assembly.
- Gas models only - Do not fill fuel tank while engine is running or hot; shut off engine and allow to cool. Fuel is flammable and can ignite or explode if spilled on a hot surface.
- Eliminate all ignition sources, such as pilot lights, cigarettes, portable electric lamps and plastic drop cloths (potential static arc).
- Keep work area free of debris, including solvent, rags and gasoline.
- Do not plug or unplug power cords, or turn power or light switches on or off when flammable vapors are present.
- Ground equipment and conductive objects in work area. Make sure grounding chain is in place and reaches the ground.
- Use only grounded hoses.
- Hold spray gun firmly to the side of a grounded pail when triggering into pail.
- If there is static sparking or if you feel a shock, stop operation immediately.
- Know the contents of the paint and solvents being sprayed. Read all material Safety Data Sheets (SDS) and container labels provided with the paints and solvents. Follow the paint and solvent manufacturer's safety instructions.
- Do not use a paint or solvent containing halogenated hydrocarbons. Such as chlorine, bleach, mildewcide, methylene chloride and trichloroethane. They are not compatible with aluminum. Contact the coating supplier about compatibility of material with aluminum.
- Keep a fire extinguisher in work area.



HAZARD: HAZARDOUS VAPORS

Paints, solvents, and other materials can be harmful if inhaled or come in contact with body. Vapors can cause severe nausea, fainting, or poisoning.

PREVENTION:

- Wear respiratory protection when spraying. Read all instructions supplied with the mask to be sure it will provide the necessary protection.
- All local regulations regarding protection against hazardous vapors must be observed.
- Wear protective eyewear.
- Protective clothing, gloves and possibly skin protection cream are necessary for the protection of the skin. Observe the regulations of the manufacturer concerning coating materials, solvents and cleaning agents in preparation, processing and cleaning units.



HAZARD: GENERAL

This product can cause severe injury or property damage.

PREVENTION:

- Follow all appropriate local, state, and national codes governing ventilation, fire prevention, and operation.
- Pulling the trigger causes a recoil force to the hand that is holding the spray gun. The recoil force of the spray gun is particularly powerful when the tip has been removed and high pressure has been set on the airless pump. When cleaning without a spray tip, set the pressure control knob to the lowest pressure.
- Use only manufacturer authorized parts. User assumes all risks and liabilities when using parts that do not meet the minimum specifications and safety devices of the pump manufacturer.
- ALWAYS follow the material manufacturer's instructions for safe handling of paint and solvents.
- Clean up all material and solvent spills immediately to prevent slip hazard.
- Wear ear protection. This unit can produce noise levels above 85 dB(A).
- Never leave this equipment unattended. Keep away from children or anyone not familiar with the operation of airless equipment.
- Do not spray on windy days.
- The device and all related liquids (i.e. hydraulic oil) must be disposed of in an environmentally friendly way.

1.3 GASOLINE ENGINE SAFETY

1. Gas engines are designed to give safe and dependable service if operated according to instructions. Read and understand the engine manufacturer's Owner's Manual before operating the engine. Failure to do so could result in personal injury or equipment damage.
2. To prevent fire hazards and to provide adequate ventilation, keep the engine at least 1 meter (3 feet) away from buildings and other equipment during operation. Do not place flammable objects close to the engine.
3. People who are not operating the device must stay away from the area of operation due to a possibility of burns from hot engine components or injury from any equipment the engine may be used to operate.
4. Know how to stop the engine quickly, and understand the operation of all controls. Never permit anyone to operate the engine without proper instructions.
5. Gasoline is extremely flammable and is explosive under certain conditions.
6. Refuel in a well-ventilated area with the engine stopped. Do not smoke or allow flames or sparks in the refueling area or where gasoline is stored.
7. Do not overfill the fuel tank. After refueling, make sure the tank cap is closed properly and securely.
8. Be careful not to spill fuel when refueling. Fuel vapor or spilled fuel may ignite. If any fuel is spilled, make sure the area is dry before starting the engine.
9. Never run the engine in an enclosed or confined area. Exhaust contains poisonous carbon monoxide gas; exposure may cause loss of consciousness and may lead to death.
10. The muffler becomes very hot during operation and remains hot for a while after stopping the engine. Be careful not to touch the muffler while it is hot. To avoid severe burns or fire hazards, let the engine cool before transporting it or storing it indoors.
11. Never ship/transport sprayer with gasoline in the tank.



DO NOT use this equipment to spray water or acid.



Do not lift by cart handle when loading or unloading.
Device is very heavy. Three-person lift is required.

1.4 FUELING (GAS ENGINE)



Gasoline is extremely flammable and is explosive under certain conditions.

FUEL SPECIFICATIONS

Use automotive gasoline that has a pump octane number of 86 or higher, or that has a research octane number of 91 or higher. Use of a lower octane gasoline can cause persistent “pinging” or heavy “spark knock” (a metallic rapping noise) which, if severe, can lead to engine damage.



If “spark knock” or “pinging” occurs at a steady engine speed under normal load, change brands of gasoline. If spark knock or pinging persists, consult an authorized dealer of the engine manufacturer. Failure to do so is considered misuse, and damage caused by misuse is not covered by the engine manufacturer’s limited warranty.

Occasionally you may experience light spark knock while operating under heavy loads. This is no cause for concern, it simply means your engine is operating efficiently.

- Unleaded fuel produces fewer engine and spark plug deposits and extends the life of the exhaust system components.
- Never use stale or contaminated gasoline or an oil/gasoline mixture. Avoid getting dirt, dust, or water in the fuel tank.

GASOLINES CONTAINING ALCOHOL

If you decide to use a gasoline containing alcohol (gasohol), be sure its octane rating is at least as high as that recommended by the engine manufacturer. There are two types of “gasohol”: one containing ethanol, and the other containing methanol. Do not use gasohol that contains more than 10% ethanol. Do not use gasoline containing methanol (methyl or wood alcohol) that does not also contain co-solvents and corrosion inhibitors for methanol. Never use gasoline containing more than 5% methanol, even if it has co-solvents and corrosion inhibitors.



Fuel system damage or engine performance problems resulting from the use of fuels that contain alcohol is not covered under the warranty. The engine manufacturer cannot endorse the use of fuels containing methanol since evidence of their suitability is incomplete at this time.

Before buying gasoline from an unfamiliar station, try to find out if the gasoline contains alcohol. If it does, confirm the type and percentage of alcohol used. If you notice any undesirable operating characteristics while using a gasoline that contains alcohol, or one that you think contains alcohol, switch to a gasoline that you know does not contain alcohol.

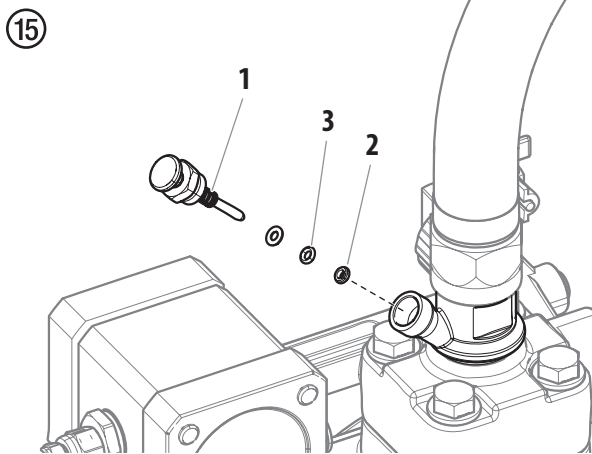
2 REPAIRS



Prior to making any repairs, make sure to perform the Pressure Relief Procedure, section 4.6 of the Operation Manual.

2.1 INLET VALVE PUSHER

1. Use a 17 mm wrench to screw out the inlet valve pusher (Fig. 15, item 1).
2. Replace the wiper (2) and O-ring (3).

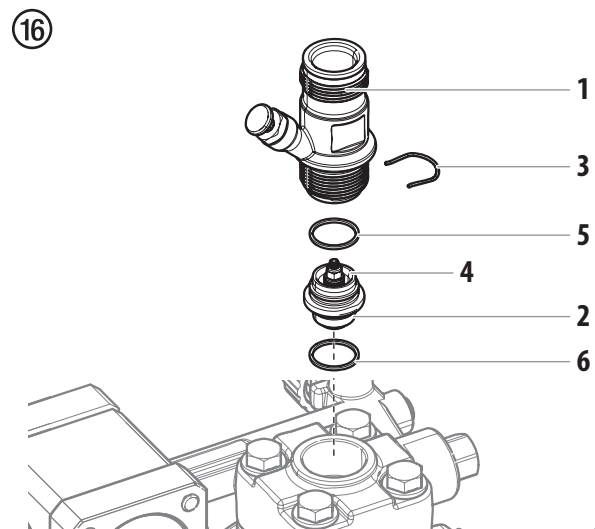


2.2 INLET VALVE

1. Place a 30 mm wrench on the housing (Fig. 16, item 1).
2. Loosen the housing (1) with light blows of a hammer on the end of the wrench.
3. Screw out the housing with the inlet valve (2) from the paint section.
4. Remove the clasp (3) using a screwdriver.
5. Place the 30 mm wrench on the inlet valve (2). Turn out the inlet valve carefully.
6. Clean the valve seat (4) with a cleaning agent and brush (ensure that no brush hairs are left behind).
7. Clean the seals (5, 6) and check for damage. Replace, if necessary.
8. Check all the valve parts for damage. In case of visible wear replace the inlet valve.

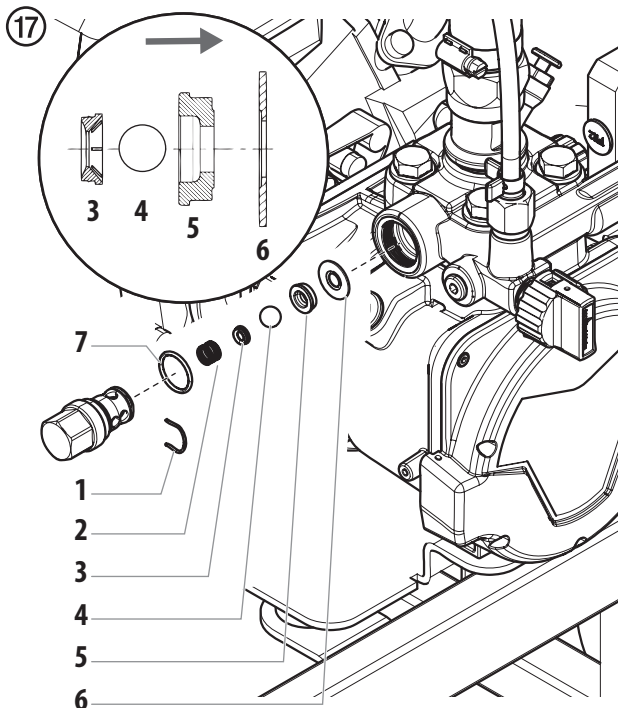
INSTALLATION

1. Insert the inlet valve (2) into the housing (1) and secure with the clasp (3). Ensure that the (black) seal (5) is mounted in the trigger housing.
2. Screw the unit from the housing and the inlet valve into the paint section. The same (black) seal (6) has to be mounted down inside the paint section.
3. Tighten the trigger housing with the 30 mm wrench and tighten with three light blows of the hammer on the end of the wrench. (Corresponds to approx. 90 Nm tightening torque).



2.3 OUTLET VALVE

1. Use a 22 mm wrench to remove the outlet valve from the paint section.
2. Carefully remove the clasp (Fig. 17, pos. 1) using a screwdriver. The compression spring (2) presses ball (4) and valve seat (5) out.
3. Clean or replace the components.
4. Check the O-ring (7) for damage.
5. Check the installation position when mounting the spring support ring (3) (clipped onto spring (2)), outlet valve seat (5) and seal (6), refer to figure.
6. Torque the outlet valve housing to 60 Nm.

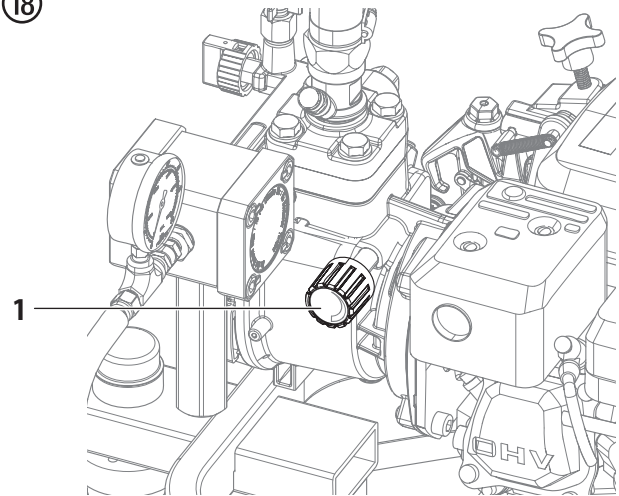


2.4 PRESSURE CONTROL VALVE



Only have the pressure control valve (1) replaced by an Authorized Titan Service Center.
The max. operating pressure has to be reset by an Authorized Titan Service Center.

18



2.5 TYPICAL WEAR PARTS

Despite the use of high-quality materials the highly abrasive effect of the paints means that wear can occur at the following parts:

INLET VALVE (spare part Order No.: 344700)

For replacing refer to Section 2.2

(failure becomes noticeable through performance loss and/or poor or no suction)

OUTLET VALVE (spare part Order No.: 2413371)

For replacing refer to Section 2.3

Warnung!

Achtung: Verletzungsgefahr durch Injektion!
Airless-Geräte entwickeln extrem hohe Spritzdrücke.



1

Niemals Finger, Hände oder andere Körperteile mit dem Spritzstrahl in Berührung bringen!

Nie die Spritzpistole auf sich, Personen und Tiere richten.

Nie die Spritzpistole ohne Spritzstrahl-Berührungsschutz benutzen.

Behandeln Sie eine Spritzverletzung nicht als harmlose Schnittverletzung. Bei einer Hautverletzung durch Beschichtungsstoff oder Lösemittel sofort einen Arzt aufsuchen zur schnellen, fachkundigen Behandlung. Informieren Sie den Arzt über den verwendeten Beschichtungsstoff oder das Lösemittel.

2

Vor jeder Inbetriebnahme sind gemäß Betriebsanleitung folgende Punkte zu beachten:

1. Fehlerhafte Geräte dürfen nicht benutzt werden.
2. Titan-Spritzpistole sichern mit Sicherungshebel am Abzugsbügel.
3. Erdung sicherstellen.
4. Zulässigen Betriebsdruck von Hochdruckschlauch und Spritzpistole überprüfen.
5. Alle Verbindungsteile auf Dichtheit prüfen.

3

Anweisungen zur regelmäßigen Reinigung und Wartung des Gerätes sind streng einzuhalten.

Vor allen Arbeiten am Gerät und bei jeder Arbeitspause folgende Regeln beachten:

1. Spritzpistole und Hochdruckschlauch druckentlasten.
2. Titan-Spritzpistole sichern mit Sicherungshebel am Abzugsbügel.
3. Gerät ausschalten.

Achte auf Sicherheit!

1	SICHERHEITSVORSCHRIFTEN FÜR DAS AIRLESS-SPRITZEN	12
1.1	Erklärung der verwendeten Symbole	12
1.2	Sicherheitsrisiken	12
1.3	Benzinmotoren-Betriebssicherheit	14
1.4	Betanken (Benzinmotor)	15
2	REPARATUREN AM GERÄT	16
2.1	Einlassventildrücker	16
2.2	Einlassventil	16
2.3	Auslassventil	17
2.4	Druckregelventil	17
2.5	Typische Verschleißteile	17
	ERSATZTEILE	26
	Ersatzteilliste Hauptbaugruppe (PL3500)	26/27
	Ersatzteilliste Hauptbaugruppe (PL3500S)	28/29
	Ersatzteilliste Wagen I	30/31
	Ersatzteilliste Wagen II	32/33
	Ersatzteilliste Pumpenbaugruppe	34/35
	Ersatzteilliste Hochdruckfilter	36
	Ersatzteilliste Auslassventilbaugruppe	37
	Ersatzteilliste Einlassventilbaugruppe	38
	Ersatzteilliste Syphonschlauchbaugruppe	39
	Ersatzteilliste Baugruppe Pistolenhalter	40
	ZUBEHÖR	41
	STREIFENDÜSEN	42
	STREIFENDÜSENTABELLE	44
	GARANTIE	46

1 SICHERHEITSVORSCHRIFTEN FÜR DAS AIRLESS-SPRITZEN

1.1 ERKLÄRUNG DER VERWENDETEN SYMBOLE

Diese Bedienanleitung enthält Informationen, die der Benutzer vor Verwendung des Geräts gründlich durcharbeiten muss. In Bereichen, die mit den folgenden Symbolen gekennzeichnet sind, besonders vorsichtig arbeiten und alle Sicherheitshinweise beachten.



→ Dieses Symbol verweist auf eine potenzielle Gefahr, die zum Tode oder zu schweren Verletzungen führen kann. Hier finden Sie wichtige Sicherheitsinformationen.



→ Dieses Symbol weist auf eine potenzielle Gefahr für Sie bzw. das Gerät hin. Unter diesem Symbol finden Sie wichtige Informationen, wie Sie Schäden an dem Gerät und Verletzungsgefahr vermeiden.



→ Injektionsgefahr



→ Brandgefahr durch Lösemittel und Farbdämpfe



→ Explosionsgefahr durch Lösemittel, Farbdämpfe und ungeeignete Materialien



→ Verletzungsgefahr durch das Einatmen von schädlichen Dämpfen



→ Hinweise enthalten wichtige Informationen, die beachtet werden sollten.

1.2 SICHERHEITSRISIKEN



GEFAHR: VERLETZUNG DURCH FLÜSSIGKEITEN UNTER DRUCK

Eine unter hohem Druck stehende Flüssigkeit, wie sie von diesem Gerät erzeugt wird, kann die Haut durchdringen und in das darunter liegende Bindegewebe eindringen und so zu schweren Verletzungen und selbst zur Amputation führen.

Behandeln Sie eine Spritzverletzung nicht als harmlose Schnittverletzung. Bei einer Hautverletzung durch Beschichtungsstoff oder Lösemittel sofort einen Arzt aufsuchen zur schnellen, fachkundigen Behandlung. Informieren Sie den Arzt über den verwendeten Beschichtungsstoff oder das Lösemittel.

VORSICHTSMASSNAHMEN:

- NIEMALS die Spritzpistole auf Körperteile halten.
- NIEMALS mit Körperteilen den Flüssigkeitsstrahl berühren. NIEMALS mit dem Körper eine Leckstelle im Druckschlauch berühren.
- NIEMALS die Hand vor die Düse der Spritzpistole halten. Handschuhe stellen keinen sicheren Schutz vor Verletzungen durch injizierte Flüssigkeiten dar.
- STETS den Auslöser der Spritzpistole verriegeln, die Pumpe ausschalten und den Druck vollständig entspannen, bevor Wartungs- und Reinigungsarbeiten, Durchsichten, Düsenwechsel oder ähnliche Arbeiten durchgeführt werden oder das Gerät unbeaufsichtigt gelassen wird. Auch nach dem Ausschalten des Motors steht das Gerät noch unter Druck. Das Ventil PRIME/SPRAY (Vorfüll-/Sprühventil) bzw. das Druckentlastungsventil müssen in ihren Sollpositionen stehen, um den Systemdruck zu entspannen.
- STETS den Düsenschutz aufsetzen, wenn Spritzarbeiten durchgeführt werden. Der Düsenschutz stellt einen gewissen Schutz dar, ist aber vor allem als Warnvorrichtung gedacht.
- STETS die Spritzdüse entfernen, bevor das System gereinigt oder gespült wird.
- NIEMALS eine Spritzpistole ohne funktionsfähige Auslöserverriegelung und ohne Auslöserbügel verwenden.
- Das gesamte Zubehör muss mindestens für den maximalen Betriebsdruckbereich des Spritzgeräts zugelassen sein. Dazu gehören Spritzdüsen, Spritzpistolen, Verlängerungen und Schlauch.



GEFAHR: HOCHDRUCKSCHLAUCH

Durch Verschleiß, Knicken und nicht zweckentsprechende Verwendung können sich Leckstellen im Farbschlauch bilden. Durch eine Leckstelle kann Flüssigkeit in die Haut injiziert werden. Vor Verwendung den Schlauch gründlich prüfen.

VORSICHTSMASSNAHMEN:

- Scharfes Biegen oder Knicken des Hochdruckschlauches vermeiden, kleinster Biegeradius etwa 20 cm.
- Hochdruckschlauch nicht überfahren, sowie vor scharfen Gegenständen und Kanten schützen.
- Beschädigten Hochdruckschlauch sofort ersetzen.
- Niemals defekten Hochdruckschlauch selbst reparieren!
- Elektrostatische Aufladung von Spritzpistole und Hochdruckschlauch wird über den Hochdruckschlauch abgeleitet. Deshalb muss der elektrische Widerstand zwischen den Anschlüssen des Hochdruckschlauchs gleich oder kleiner ein Megaohm betragen.
- Aus Gründen der Funktion, Sicherheit und Lebensdauer, nur Titan-Original-Ersatzhochdruckschläuche verwenden.
- Vor jedem Einsatz alle Schläuche auf Einschnitte, Leckstellen, Scheuerstellen oder gewölbte Oberflächen kontrollieren. Die Kupplungen auf Unversehrtheit und festen Sitz kontrollieren. Schläuche unverzüglich ersetzen, wenn einer der oben genannten Fehler festgestellt wird. Einen Farbschlauch niemals reparieren. Einen defekten Schlauch durch einen geerdeten Hochdruckschlauch ersetzen.
- Achten Sie darauf, Spritzschläuche so zu verlegen, dass die Rutsch-, Stolper-, und Umfallgefahr minimiert wird.



GEFAHR: EXPLOSIONS- UND BRANDGEFAHR



Brennbare Dämpfe, wie z. B. Dämpfe von Lösungsmitteln und Farben können sich in den Arbeitsbereichen entzünden oder explodieren.

VORSICHTSMASSNAHMEN:

- Verwenden Sie das Gerät ausschließlich in gut belüfteten Bereichen. Achten Sie auf ausreichende Frischluftzufuhr im gesamten Bereich, damit sich keine brennbaren Dämpfe in der Luft im Spritzbereich ansammeln können. Bewahren Sie die Pumpenbaugruppe in einem gut belüfteten Bereich auf. Besprühen Sie nicht die Pumpenbaugruppe.
- Nur Modelle mit Benzin - Befüllen Sie den Treibstofftank nicht, wenn der Motor läuft oder heiß ist; schalten Sie den Motor ab und lassen diesen abkühlen. Der Treibstoff ist brennbar und kann sich entzünden bzw. explodieren, wenn dieser mit einer heißen Oberfläche in Berührung kommt.
- Beseitigen Sie alle Zündquellen, wie z. B. Zündflammen, Zigaretten, tragbare elektrische Lampen und Plastikabdeckplanen (potenzieller elektrostatischer Lichtbogen).
- Halten Sie die Arbeitsbereiche frei von Verunreinigungen, einschließlich Lösungsmittel, Lappen und Benzin.
- Schließen Sie die Elektrozuleitungen nicht bzw. trennen diese nicht ab bzw. schalten Sie die Netzschalter bzw. Lichtschalter nicht ein bzw. aus, wenn sich brennbare Dämpfe entwickelt haben.
- Geräte und elektrisch leitfähige Gegenstände im Arbeitsbereich Stellen Sie sicher, dass die Erdungskette vorhanden ist und den Boden erreicht.
- Verwenden Sie ausschließlich geerdete Schläuche.
- Halten Sie die Spritzpistole fest an die Seite eines geerdeten Eimers, wenn Sie in den Eimer spritzen.
- Kommt es durch statische Aufladung zu Funkenbildung bzw. wenn Sie einen Stromschlag verspüren, brechen Sie den Vorgang umgehend ab.
- Sie müssen die Zusammensetzung der Farben und Lösungsmittel, die Sie spritzen möchten, kennen. Lesen Sie alle Material Sicherheitsdatenblätter (MSDS) und Behälterbeschriftungen von Farben und Lösungsmitteln durch. Befolgen Sie die Sicherheitsanweisungen des Farben- und Lösungsmittelherstellers.
- Verwenden Sie keine Farben bzw. Lösungsmittel, die Halogenkohlenwasserstoffe enthalten, wie z. B. Chlor, Bleiche, Antischimmelmittel, Methylenchlorid und Trichlorethan. Sie sind nicht kompatibel mit Aluminium. Setzen Sie sich mit dem Lieferanten der Beschichtung hinsichtlich der Kompatibilität des Materials mit Aluminium in Verbindung.
- Halten Sie im Arbeitsbereich einen Feuerlöscher bereit.



GEFAHR: GEFÄHRLICHE DÄMPFE

Farben, Lösungsmittel und andere Materialien können beim Einatmen oder beim Kontakt mit dem Körper gesundheitsschädlich sein. Die Dämpfe können schwere Übelkeit, Ohnmacht und Vergiftungen verursachen.

VORSICHTSMASSNAHMEN :

- Bei Spritzarbeiten Atemschutz tragen. Alle mit der Gesichtsmaske mitgelieferten Anleitungen durcharbeiten, damit die Gesichtsmaske auch den gewünschten Schutz bietet.
- Dem Benutzer ist eine Atemschutzmaske zur Verfügung zu stellen (Berufs-Genossenschaftliche Regeln „Regeln für den Einsatz von Atemschutzgeräten“ (BGR 190).
- Arbeitsschutzbrille tragen.
- Zum Schutz der Haut sind Schutzkleidung, Handschuhe und eventuell Hautschutzcreme erforderlich (BGR 197 "Benutzung von Hautschutz"). Vorschriften der Hersteller beachten zu den Beschichtungsstoffen, Lösemittel und Reinigungsmittel bei Aufbereitung, Verarbeitung und Gerätereinigung.



GEFAHR: ALLGEMEINES

Kann schwere Personen- oder Sachschäden verursachen.

VORSICHTSMASSNAHMEN :

- Alle lokalen sowie im Land bzw. Bundesland geltenden Vorschriften zum Brandschutz, zur Bedienung und Lüftung einhalten.
- Bei Betätigung des Auslösers zieht die Spritzpistole zur Seite. Diese Kraftwirkung der Spritzpistole ist besonders stark, wenn die Düse entfernt und bei der Pumpe hoher Druck eingestellt wurde. Bei der Reinigung mit abgeschraubter Düse daher den Druckreglerknopf auf den niedrigsten Druck einstellen.
- Nur vom Hersteller zugelassene Teile verwenden. Bei Verwendung von Teilen, die nicht die technischen Mindestanforderungen erfüllen, trägt der Benutzer alle Risiken und die gesamte Haftung. Dies gilt auch für die Sicherheitsvorrichtungen der Pumpe.
- IMMER die Hinweise des Herstellers zum sicheren Umgang mit Farben und Lösungsmitteln einhalten.
- Verschüttete Materialien und Lösemitteln sofort aufwischen, um Rutschgefahr zu vermeiden.
- Gehörschutz tragen. Dieses Gerät kann einen Schalldruck über 85 dB(A) erzeugen.

- Das Gerät niemals unbeaufsichtigt lassen. Kinder oder andere Personen, die mit dem Betrieb des druckluftlosen Spritzgeräts nicht vertraut sind, von dem Gerät fern halten.
- An windigen Tagen nicht im Freien spritzen.
- Das Gerät inklusive aller Flüssigkeiten (z.B. Hydrauliköl) müssen umweltgerecht entsorgt werden.

1.3 BENZINMOTOREN-BETRIEBSSICHERHEIT



1. Benzinmotoren sind so gebaut, dass sie sicher und verlässlich funktionieren, wenn sie gemäss der Instruktionen bedient werden. Vor der Bedienung des Motos muss das Besitzerhandbuch des Herstellers gelesen und verstanden werden. Bei Unterlassung kann Personenverletzung oder Materialschaden entstehen.
2. Um Feuergefahr zu vermeiden und genügend Ventilation zu erlauben, muss der Motor mindestens 1 Meter von Gebäuden und anderen Maschinen entfernt sein wenn er in Betrieb ist. Keine brennbaren Gegenstände in der Nähe des Motors aufbewahren.
3. Personen, die das Gerät nicht bedienen, dürfen den Betriebsbereich nicht betreten, da die Möglichkeit besteht Verbrennungen von heissen Motorenteilen oder Verletzungen durch Geräte, die zur Bedienung des Motors benutzt werden, zu erleiden.
4. Seien Sie vertraut damit, wie Sie den Motor schnell abstellen können und wissen Sie Bescheid über alle Bedienungselemente und deren Handhabung. Erlauben Sie niemandem, den Motor ohne sachgerechte Anleitung zu bedienen.
5. Benzin ist äusserst flammbar und unter bestimmten Bedingungen explosiv.
6. Tanken Sie Benzin nur in einem gut durchlüfteten Bereich nach, nachdem der Motor abgestellt wurde. Rauchen Sie nicht und erlauben Sie keine Flammen oder Funken im Bereich in welchem aufgetankt wird oder Benzin aufbewahrt wird.
7. Ueberfüllen Sie den Benzintank nicht. Nach dem Auftanken, vergewissern Sie sich, dass die Tankverschlusskappe richtig und sicher aufgeschraubt ist.
8. Seien Sie darauf bedacht, beim Auftanken kein Benzin zu verschütten. Benzindämpfe oder verschüttetes Benzin könnte sich entflammen. Falls Benzin verschüttet wurde, vergewissern Sie sich, dass der Bereich trocken ist, bevor Sie den Motor starten.
9. Lassen Sie den Motor nie in einem geschlossenen oder engen Bereich laufen. Abgase enthalten giftige Kohlenmonoxidgase; diesen ausgesetzt läuft man Gefahr das Bewusstsein zu verlieren und es kann sogar zu Tod führen.

- 10. Der Auspuff wird während des Laufens des Motors sehr heiss und bleibt nach abstellen des Motors noch für eine Weile heiss. Seien Sie darauf Bedacht, den Auspuff nicht zu berühren, solange er noch heiss ist. Um schwere Verbrennungen oder Feuergefahr zu vermeiden, lassen Sie den Motor abkühlen, bevor Sie ihn transportieren oder in einem Innenraum aufbewahren.
- 11. Verschiffen oder transportieren Sie die Sprühanlage niemals mit Benzin im Tank.


- Bleifreier Treibstoff verursacht weniger Ablagerungen im Motor und in den Zündkerzen und verlängert die Lebensdauer der Komponenten des Abgassystems.
- Verwenden Sie niemals abgestandenes oder verschmutztes Benzin und/oder ein Öl-/Benzingemisch. Vermeiden Sie, dass Schmutz, Staub oder Wasser in den Treibstofftank gelangen.


KRAFTSTOFF AUS BENZIN-ALKOHOL-GEMISCH

Wenn Sie sich für einen Kraftstoff aus einem Benzin-Alkohol-Gemisch (Gasohol) entscheiden, müssen Sie darauf achten, dass dessen Oktanzahl mindest so hoch ist, wie diese vom Motorenhersteller empfohlen wird. Es gibt zwei Arten von Benzin-Alkohol-Gemisch: die eine enthält Ethanol und die andere Methanol. Verwenden Sie kein Gasohol, das mehr als 10% Ethanol enthält. Verwenden Sie kein Benzin-Methanol-Gemisch (Methyl oder Holzalkohol), das keine Zusatzlösungsmittel und Korrosionshemmstoffe für Methanol enthält. Verwenden Sie niemals Benzin, das mehr als 5 % Methanol enthält, auch dann nicht, wenn es Zusatzlösungsmittel und Korrosionshemmstoffe enthält.

	Benutzen Sie diese Anlage NICHT um Wasser oder Säuren zu spritzen.
	Beim Auf- oder Abladen, nicht an der Deichsel halten. Gerät ist sehr schwer. Muss von drei Personen getragen werden.


1.4 BETANKEN (BENZINMOTOR)

	Benzin ist äußerst entflammbar und unter bestimmten Bedingungen sogar explosiv.
------------------------------------------------------------------------------------	---------------------------------------------------------------------------------

	<p>Eine Beschädigung des Treibstoffsystems bzw. Probleme mit der Motorenleistung, die aus der Verwendung von Treibstoff resultieren, der Alkohol enthält, werden von der Gewährleistung nicht gedeckt. Der Motorenhersteller kann nicht die Verwendung von Treibstoffen befürworten, die Methanol enthalten, das es noch nicht als erwiesen gilt, dass sich diese hierfür eignen.</p> <p>Versuchen Sie herauszufinden, ob das Benzin Alkohol enthält, bevor Sie Benzin von einer Ihnen unbekanntem Tankstelle beschaffen. Falls dieses Alkohol enthält, überprüfen Sie die Art und den Anteil des verwendeten Alkohols. Stellen Sie bei der Verwendung von alkoholhaltigem Benzin bzw. von dem Sie annehmen, dass es Alkohol enthält, unerwünschtes Betriebsverhalten fest, stellen Sie auf ein Benzin um, von dem Sie wissen, dass es kein Alkohol enthält.</p>
------------------------------------------------------------------------------------	------------------------------------------------------------------------------------------------------------------------------------------------------------------------------------------------------------------------------------------------------------------------------------------------------------------------------------------------------------------------------------------------------------------------------------------------------------------------------------------------------------------------------------------------------------------------------------------------------------------------------------------------------------------------------------------------------------------------------------------------------------------------------------------------------------------------------------------------------------------

TECHNISCHE ANGABEN ZUM TREIBSTOFF

- Verwenden Sie Benzin mit einer Mindest-Oktanzahl von 86 oder mit einer Mindest-Research-Oktanzahl von 91. Die Verwendung eines Treibstoffes mit einer geringeren Oktanzahl kann zu ständigem "Motorklopfen" oder starkem "Klopfen" (ein metallisches klopfendes Geräusch) führen, das zu einem Motorschaden führen kann, wenn dieser zu stark ist.

	<p>Wechseln Sie die Treibstoffmarke, wenn das "Klopfen" oder "Motorklopfen" bei einer stetigen Motorgeschwindigkeit unter normaler Belastung auftritt. Bleibt das Klopfen bzw. Motorklopfen, setzen Sie sich mit einem autorisierten Händler des Motorherstellers in Verbindung. Bei Nichteinhaltung gilt dies als Fehlgebrauch und Schäden durch Fehlgebrauch sind nicht durch die Herstellergarantie gedeckt.</p> <p>Gelegentlich entsteht ein leichtes Klopfen, wenn das Gerät stark belastet wird. Das ist kein Grund zur Beunruhigung. Dies bedeutet nur, dass der Motor effizient funktioniert.</p>
-------------------------------------------------------------------------------------	-----------------------------------------------------------------------------------------------------------------------------------------------------------------------------------------------------------------------------------------------------------------------------------------------------------------------------------------------------------------------------------------------------------------------------------------------------------------------------------------------------------------------------------------------------------------------------------------------------------

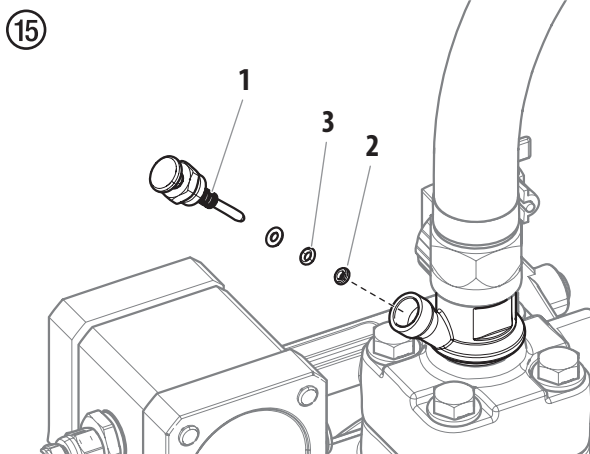
2 REPARATUREN AM GERÄT



Führen Sie auf jeden Fall das Druckentlastungsverfahren durch, siehe Abschnitt 4.6 der Bedienungsanleitung, bevor Sie Reparaturarbeiten durchführen.

2.1 EINLASSVENTILDRÜCKER

1. Einlassventildrücker mit Schlüssel (17mm) heraus-schrauben (Abb. 15, pos 1).
2. Abstreifer (2) und O-Ring (3) austauschen.

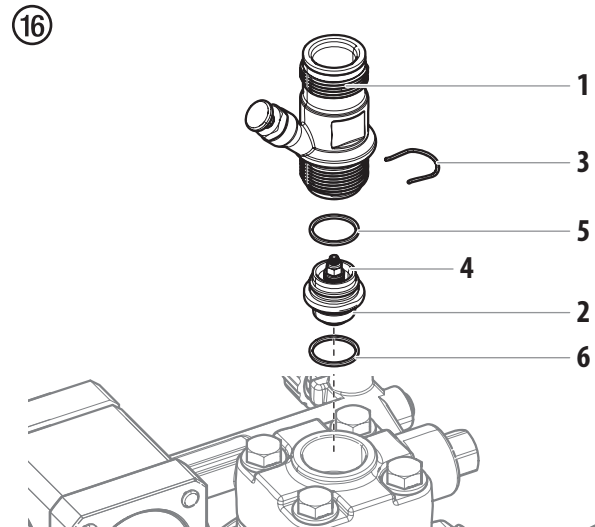


2.2 EINLASSVENTIL

1. Beiliegenden Schlüssel (30mm) am Drückergehäuse (Abb. 16, pos. 1) ansetzen.
2. Mit leichten Hammerschlägen auf das Schlüsselende das Drückergehäuse (1) lösen.
3. Drückergehäuse mit Einlassventil (2) aus der Farbstufe heraus-schrauben.
4. Spange (3) mit beiliegendem Schraubendreher abziehen.
5. Beiliegenden Schlüssel (30mm) am Einlassventil (2) ansetzen. Unter Drehen Einlassventil vorsichtig herausziehen.
6. Ventilsitz (4) mit Reinigungsmittel und Pinsel reinigen (darauf achten, dass keine Pinselhaare zurückbleiben).
7. Dichtungen (5, 6) reinigen und auf Beschädigungen prüfen, eventuell austauschen.
8. Alle Ventileile auf Beschädigung kontrollieren. Bei sichtbarem Verschleiß Einlassventil austauschen.

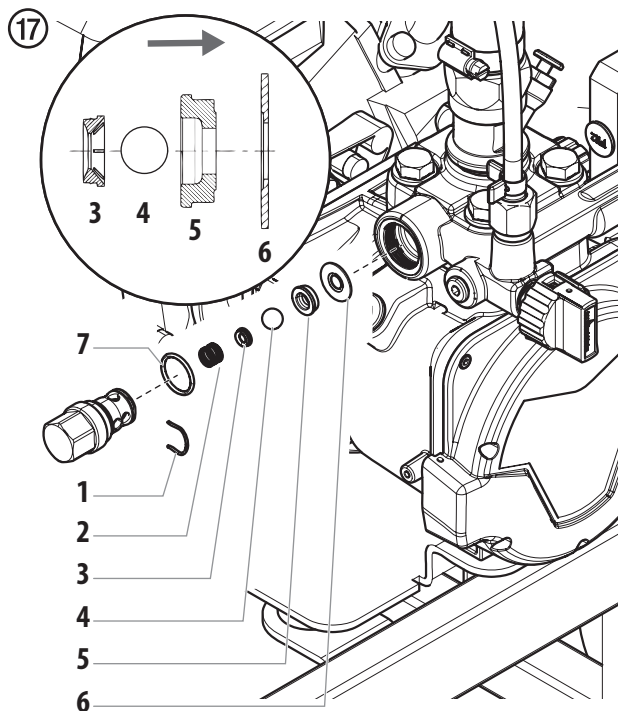
MONTAGE

1. Einlassventil (2) in das Drückergehäuse (1) einsetzen und mit Spange (3) sichern. Darauf achten, dass (schwarze) Dichtung (5) im Drückergehäuse montiert ist.
2. Einheit aus Drückergehäuse und Einlassventil in die Farbstufe einschrauben. Die gleiche (schwarze) Dichtung (6) muss in der Farbstufe montiert sein.
3. Drückergehäuse mit Schlüssel (30mm) anziehen und mit drei leichten Hammerschlägen auf das Schlüsselende festziehen (entspricht ca. 90 Nm Anzugsmoment).



2.3 AUSLASSVENTIL

1. Auslassventil mit Schlüssel (22mm) aus der Farbstufe herauschrauben.
2. Vorsichtig Spange (1) mit Schraubendreher abziehen, Druckfeder (2) drückt Kugel (4) und Ventilsitz (5) heraus.
3. Einzelteile reinigen oder austauschen.
4. O-Ring (7) auf Beschädigung prüfen.
5. Auf Einbaulage achten bei Montage von Federstützring (3) (wird in Druckfeder (2) eingeklipst), Auslass-Ventilsitz (5) und Dichtring (6), -> siehe Abbildung.
6. Das Auslassventil mit 60 Nm anziehen.

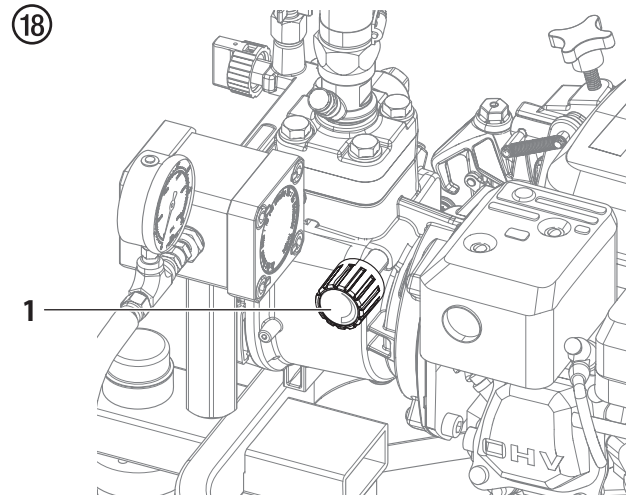


2.4 DRUCKREGELVENTIL



Druckregelventil (1) nur vom Kundendienst austauschen lassen.

Der max. Betriebsdruck ist vom Kundendienst neu einzustellen.



2.5 TYPISCHE VERSCHLEISSTEILE

Trotz Verwendung hochwertiger Materialien ist durch die stark abrasive Wirkung der Farben mit Verschleiß an folgenden Teilen zu rechnen:

EINLASSVENTIL (Ersatzteil Bestell-Nr: 344700)

Austausch siehe Punkt 2.2

(Ausfall bemerkbar durch Leistungsverlust und/oder schlechtes bzw. kein Ansaugen - eine gründliche Reinigung kann auch schon zu einer Verbesserung führen)

AUSLASSVENTIL (Ersatzteil Bestell-Nr: 2413371)

Austausch siehe Punkt 2.3

Attention!

Danger de blessure par injection de produit!

Les groupes "Airless" produisent des pressions de projection extrêmement élevées.



1

Ne jamais exposer les doigts, les mains ou d'autres parties du corps au jet!

Ne jamais diriger le pistolet vers soi, vers d'autres personnes ou vers des animaux.

Utiliser toujours le pistolet muni de sa protection.

Ne traitez pas une blessure par injection comme simple coupure. En cas de blessure de la peau par l'injection de peintures ou de solvants, consultez sans retard un médecin. Renseignez le médecin sur la nature de la peinture ou du solvant utilisés.

2

Avant toute mise en service, respecter les points suivants conformément aux instructions de service:

1. Ne jamais utiliser un équipement défectueux.
2. Verrouiller le pistolet Titan par le levier de sécurité à la gâchette.
3. Assurer la mise à la terre correcte.
4. Vérifier et respecter les pressions admissibles pour le flexible et le pistolet.
5. Contrôler l'étanchéité de tous les raccords.

3

Respecter sans faute les instructions relatives au nettoyage et à l'entretien réguliers du matériel.

Avant toute intervention sur le matériel et pendant chaque interruption de travail, observer les règles suivantes:

1. Evacuer la pression du pistolet et du flexible.
2. Verrouiller le pistolet Titan par le levier de sécurité à la gâchette.
3. Arrêter le groupe.

Ne négligez pas la sécurité!

1	PRESCRIPTIONS DE SÉCURITÉ POUR LA PROJECTION AIRLESS	20
1.1	Explication des symboles utilisés	20
1.2	Dangers pour la sécurité	20
1.3	Sécurité du moteur à essence	22
1.4	Ravitaillement (moteur à essence)	23
2	RÉPARATIONS SUR L'APPAREIL	24
2.1	Poussoir de la vanne d'aspiration	24
2.2	Vanne d'aspiration	24
2.3	Clapet de refoulement	25
2.4	Vanne de réglage de pression	25
2.5	Pièces d'usure typiques	25
	ACCESSOIRES ET PIÈCES DE RECHANGE	26
	Liste des pièces de rechange ensemble principal (PL3500)	26/27
	Liste des pièces de rechange ensemble principal (PL3500S)	28/29
	Liste des pièces de rechange ensemble de chariot I	30/31
	Liste des pièces de rechange ensemble de chariot II	32/33
	Liste de pièces de rechange pour l'ensemble de pompe	34/35
	Liste des pièces de rechange filtre à haute pression	36
	Liste de pièces de rechange pour l'ensemble de soupape de refoulement	37
	Liste de pièces de rechange pour l'ensemble de soupape d'entrée	38
	Liste des pièces de rechange assemblage du tuyau de siphon	39
	Liste des pièces de rechange pour l'ensemble de support à pistolet	40
	ACCESSOIRES	41
	BUSES DE RAYAGE	42
	TABLEAU DE BUSE DE RAYAGE	44
	GARANTIE	47

1 PRESCRIPTIONS DE SÉCURITÉ POUR LA PROJECTION AIRLESS

1.1 EXPLICATION DES SYMBOLES UTILISÉS

Veillez lire et être sûr de comprendre toutes les informations contenues dans ce manuel avant d'utiliser l'appareil. Lorsque vous pénétrez dans une zone qui contient les symboles suivants, soyez particulièrement vigilant et vérifiez que les systèmes de sécurité sont bien installés.



→ Ce symbole indique un risque potentiel pouvant entraîner des blessures graves ou même mortelles. Vous trouverez ci-après d'importantes consignes de sécurité.



Attention

→ Ce symbole indique un risque potentiel pour vous ou pour l'appareil. D'importantes informations sur la manière d'éviter tout dommage de l'équipement ou d'éviter des blessures légères sont indiquées ci-après.



→ Danger de blessure par injection de produit



→ Danger d'incendie



→ Risque d'explosion



→ Vapeurs toxiques et/ou inflammables. Danger d'intoxication et de brûlure



→ Les notes contiennent des informations qui doivent être consciencieusement respectées.



→ **AVERTISSEMENT! AVERTISSEMENT EN FONCTION DE LA PROPOSITION 65 DE LA CALIFORNIE**

Cet appareil peut vous exposer à des produits chimiques, y compris le plomb, reconnu par l'État de la Californie pour causer le cancer, des anomalies congénitales ou d'autres troubles de la reproduction.

L'échappement des moteurs des modèles ayant un moteur à essence peut vous exposer au monoxyde de carbone, reconnu par l'État de la Californie pour causer le cancer, des anomalies congénitales ou d'autres troubles de la reproduction.

Pour de plus amples renseignements, consultez le site Web www.P65warnings.ca.gov.

1.2 DANGERS POUR LA SÉCURITÉ



RISQUE : BLESSURE PAR PROJECTION

Un courant de liquide à haute pression produit par cet équipement peut percer la peau et les tissus sous-cutanés, et entraîner des blessures graves ou une amputation.

Ne traitez pas une blessure par injection comme simple coupure. En cas de blessure de la peau par l'injection de peintures ou de solvants, consultez sans retard un médecin. Renseignez le médecin sur la nature de la peinture ou du solvant utilisés.

PRÉVENTION :

- NE dirigez JAMAIS le pistolet vers une partie du corps, quelle qu'elle soit.
- NE laissez JAMAIS une partie du corps entrer en contact avec le flux de liquide. NE laissez JAMAIS votre corps au contact d'une fuite dans le tuyau de liquide.
- NE placez JAMAIS vos mains devant le pistolet. Les gants ne constituent pas un rempart suffisant contre les blessures par projection.
- Bloquez TOUJOURS la gâchette du pistolet, éteignez la pompe et vidangez toute la pression avant toute opération d'entretien, avant de nettoyer une buse ou une protection, avant de changer une buse ou si vous laissez l'appareil sans surveillance. La pression ne s'évacue pas simplement en éteignant le moteur. La vanne PRIME/SPRAY ou la vanne de décharge de la pression doivent être placées dans les positions souhaitées pour vidanger la pression.
- Conservez TOUJOURS la protection de la buse en place lorsque vous pulvérisiez. La protection de la buse fournit une certaine protection mais il s'agit principalement d'un système d'alarme.
- Enlevez TOUJOURS la buse de pulvérisation avant de rincer ou de nettoyer le système.
- N'utilisez JAMAIS un pistolet pulvérisateur sans blocage de gâchette et sans protection de gâchette.
- Tous les accessoires doivent pouvoir travailler à la pression de travail maximale du pulvérisateur ou au-dessus. Ceci concerne les buses de pulvérisation, les pistolets, les rallonges et le tuyau.



RISQUE : FLEXIBLE À HAUTE PRESSION

Le tuyau de peinture peut présenter des fuites dues à l'usure, aux pincements et aux mauvaises utilisations. Toute fuite peut entraîner une projection de matériau dans la peau. Vérifiez soigneusement le tuyau avant chaque utilisation.

PRÉVENTION :

- Il faut éviter de trop plier le flexible; le plus petit rayon ne doit pas être inférieur à 20 cm.
- Protéger le flexible contre le passage de véhicules et éviter le frottement sur des arêtes vives.
- Remplacer immédiatement tout tuyau à haute pression endommagé.
- Ne jamais essayer de réparer un flexible endommagé!
- La charge électrostatique du pistolet et du flexible est évacuée par ce dernier. Pour cette raison, la résistance électrique entre les raccords du flexible doit être égale ou inférieure à 1 mégohm.
- Pour des raisons de fonctionnement, de sécurité et de durée utile utiliser exclusivement des flexibles à haute pression originaux de Titan.
- Avant chaque utilisation, vérifiez que les tuyaux ne présentent ni coupures, ni fuites, ni signes d'abrasion ou de renflement du revêtement. Vérifiez l'état et le mouvement des raccords. Remplacez immédiatement les tuyaux s'ils sont en mauvais état. Ne réparez jamais un tuyau de peinture. Remplacez-le par un tuyau à haute pression relié à la masse.
- Assurez vous que le tuyau à air et les tuyaux de pulvérisation sont disposés de façon à éviter les risques de glissade, de trébuchement ou de chute.



RISQUE : EXPLOSION ET INCENDIE

Les vapeurs inflammables, telles que les vapeurs de solvant et de peinture, dans une zone de travail peuvent s'enflammer ou exploser.

PRÉVENTION :

- Servez-vous de l'équipement dans un endroit bien aéré. Faites circuler beaucoup d'air frais dans l'endroit afin d'éviter l'accumulation de vapeurs inflammables dans la zone de pulvérisation. Entreposez l'ensemble de la pompe dans un endroit bien aéré. Ne pulvérisez pas l'ensemble de la pompe.
- Modèles à essence uniquement - Ne faites jamais le plein lorsque le moteur est en marche ou chaud. Éteignez le moteur et laissez-le refroidir. L'essence est inflammable. Elle peut s'enflammer ou exploser si on en renverse sur une surface chaude.
- Éliminez toutes les sources d'inflammation, comme les veilleuses, les cigarettes, les lampes électriques portatives et les toiles de protection en plastique (risque d'arc statique).
- Gardez la zone de travail exempte de débris, y compris des solvants, des chiffons et d'essence.
- Ne branchez ou ne débranchez pas les cordons d'alimentation, ne mettez pas l'appareil en marche, n'allumez ou n'éteignez pas les lumières lorsque des vapeurs inflammables sont présentes.
- Mettez à terre l'équipement et les objets conducteurs dans la zone de travail. Assurez-vous que la chaîne de mise à la terre est en place et atteint le sol.
- Utilisez uniquement des tuyaux mis à la terre.
- Tenez le pistolet de pulvérisation fermement contre le côté d'un seau mis à la terre lorsque vous pulvérisez dans le seau.
- S'il y a production d'étincelles statiques ou si vous ressentez un choc, arrêtez le fonctionnement immédiatement.
- Soyez au courant du contenu de la peinture et des solvants à pulvériser. Lisez toutes les fiches signalétiques (FS) et les étiquettes des récipients de peinture et de solvant. Suivez les consignes de sécurité du fabricant de peinture et du solvant.
- N'utilisez pas de peinture ou de solvant contenant des hydrocarbures hydrogénés, comme du chlore, de l'eau de Javel, un agent anti-moisissure, du chlorure de méthylène et du trichloroéthane. Ils ne sont pas compatibles avec l'aluminium. Communiquez avec le fournisseur de revêtement au sujet de la compatibilité du produit avec l'aluminium.
- Gardez un extincteur dans la zone de travail.



RISQUE : VAPEURS DANGEREUSES

Les peintures, solvants, et autres matériaux peuvent être nocifs en cas d'inhalation ou de contact avec la peau. Les vapeurs peuvent entraîner de sérieuses nausées, des syncopes ou des empoisonnements.

PRÉVENTION :

- Pendant le travail de protection porter un masque respiratoire. Lisez attentivement toutes les instructions fournies avec le masque pour vous assurer qu'il fournit bien la protection nécessaire.
- Tous les règlements locaux en matière de protection contre les vapeurs toxiques doivent être respectés.
- Portez des protections oculaires.
- Pour protéger la peau il est nécessaire de porter des vêtements de protection, des gants et d'utiliser éventuellement une crème de protection de la peau. Observer les prescriptions des fabricants au sujet des produits de peinture, de nettoyage et des solvants pendant la préparation, la mise en oeuvre et le nettoyage du matériel.



RISQUE : GÉNÉRALITÉS

peut entraîner des blessures sévères ou des dégâts matériels.

PRÉVENTION :



- Respectez toutes les réglementations locales et nationales concernant la ventilation, la prévention des incendies et le fonctionnement.
- Lorsque vous appuyez sur la détente, il se produit un mouvement de recul de la main qui tient le pistolet pulvérisateur. Le recul du pistolet pulvérisateur est particulièrement puissant lorsque la buse a été démontée et lorsque la pompe sans air a été réglée sur une pression élevée. Lors du nettoyage sans buse, réglez donc le bouton de contrôle de la pression sur la pression minimale.
- N'utilisez que des pièces de rechange d'origine. L'utilisateur assume tous les risques s'il utilise des pièces qui ne correspondent pas aux spécifications minimales et aux dispositifs de sécurité du fabricant de la pompe.
- Respectez TOUJOURS les consignes du fabricant du matériau pour manipuler la peinture et les solvants en toute sécurité.
- Nettoyez immédiatement les matériaux tombés et le solvant déversé accidentellement, afin d'éviter les risques de glissade.

- Munissez-vous d'une protection auditive. Le bruit émis par cet appareil peut dépasser les 85 dB(A).
- Ne laissez jamais cet outil sans surveillance. Tenez-le hors de portée des enfants ou des personnes non familiarisées avec le fonctionnement des équipements sans air.
- Ne vaporisez pas à l'extérieur en cas de vent.
- L'appareil et tous ses liquides (p. ex., huile hydraulique) doivent être détruits sans danger pour l'environnement.


1.3 SÉCURITÉ DU MOTEUR À ESSENCE

1. Les moteurs à essence sont conçus pour offrir un service sûr et stable à condition d'être utilisés conformément aux instructions. Lisez attentivement et assurez-vous de bien comprendre le Manuel d'utilisateur du fabricant du moteur avant d'utiliser le moteur. Dans le cas contraire, vous pourriez vous blesser ou endommager l'équipement.
2. En vue d'éviter tout risque d'incendie et de fournir une ventilation adéquate, conservez le moteur à 1 mètre (3 pieds) minimum de tout bâtiment et de tout autre équipement pendant son fonctionnement. Ne placez pas d'objets inflammables à proximité du moteur.
3. Les personnes qui n'utilisent pas l'appareil doivent s'en éloigner afin d'éviter le risque de brûlures des composantes chaudes du moteur ou le danger de blessures provenant de l'équipement utilisé pour faire fonctionner l'appareil.
4. Sachez comment arrêter rapidement le moteur, et veillez à bien comprendre le fonctionnement de toutes les commandes. N'autorisez jamais personne à utiliser le moteur sans prendre connaissance des instructions adéquates.
5. L'essence est un produit extrêmement inflammable pouvant exploser sous certaines conditions.
6. Faites le plein d'essence dans une zone suffisamment ventilée, le moteur à l'arrêt. Ne fumez pas et évitez tout flamme ou étincelle dans la zone d'alimentation en essence ou dans le lieu où est stockée l'essence.
7. Ne remplissez pas trop le réservoir d'essence. Après avoir fait le plein d'essence, assurez-vous que le couvercle du réservoir est correctement et solidement refermé.
8. Faites attention à ne pas répandre de l'essence lors du remplissage du réservoir. Les vapeurs d'essence ou l'essence répandue sont susceptibles de s'enflammer. Si vous venez à déverser de l'essence, assurez-vous que la zone est bien sèche avant de mettre le moteur en marche.
9. Ne faites jamais fonctionner le moteur dans un espace clos ou confiné. L'échappement contient du monoxyde de carbone toxique ; toute exposition pourrait occasionner une perte de connaissance, voire entraîner la mort.

10. Le pot d'échappement devient extrêmement chaud pendant le fonctionnement et reste chaud pendant un certain moment même après l'arrêt du moteur. Veillez à ne pas toucher le pot d'échappement lorsqu'il est chaud. En vue d'éviter de sérieuses brûlures ou des risques d'incendie, laissez refroidir le moteur avant de le transporter ou de le ranger à l'intérieur.
11. Ne déplacez / transportez jamais le pulvérisateur lorsqu'il y a de l'essence dans le réservoir.


	N'UTILISEZ PAS cet appareil pour pulvériser de l'eau ou de l'acide.
	Ne vous servez pas de la poignée du chariot pour soulever lors du chargement ou du déchargement. L'appareil est très lourd. Trois personnes sont nécessaires pour les soulever.

1.4 RAVITAILLEMENT (MOTEUR À ESSENCE)

	L'essence est extrêmement inflammable et explosive dans certaines conditions.
-------------------------------------------------------------------------------------	-------------------------------------------------------------------------------

SPÉCIFICATIONS DU CARBURANT


- Utilisez une essence automobile ayant un indice d'octane d'au moins 86, ou un indice d'octane recherche d'au moins 91. L'utilisation d'une essence ayant un indice d'octane inférieur peut causer un « cognement » ou une « détonation » (un bruit d'ébranlage métallique) tenace qui, s'il est grave, peut endommager le moteur.

	S'il y a un « cognement » ou une « détonation » à une vitesse constante avec une charge normale, utilisez une autre marque d'essence. Si vous obtenez toujours un cognement ou une détonation, consultez un distributeur agréé du fabricant de moteurs. Le fait de ne pas suivre cette directive constitue un abus. Les dommages causés par l'abus ne sont pas couverts par la garantie restreinte du fabricant du moteur. Il se peut que vous entendiez parfois une détonation légère pendant le fonctionnement avec des charges lourdes. Il n'y a aucune raison de s'inquiéter, cela signifie simplement que votre moteur fonctionne de façon efficiente.
-------------------------------------------------------------------------------------	--------------------------------------------------------------------------------------------------------------------------------------------------------------------------------------------------------------------------------------------------------------------------------------------------------------------------------------------------------------------------------------------------------------------------------------------------------------------------------------------------------------------------------------------------------------------------------------------------------------------------------------------------------------------

- L'essence sans plomb produit moins de dépôts du moteur et de la bougie, et rallonge la durée de vie des composantes du système d'échappement.
- Ne jamais utiliser de l'essence éventée ou contaminée, ou un mélange d'huile et d'essence. Évitez de laisser entrer de la saleté, de la poussière ou de l'eau dans le réservoir à essence.

ESSENCES CONTENANT DE L'ALCOOL

Si vous décidez d'utiliser une essence qui contient de l'alcool (gasohol), assurez-vous qu'elle a au moins un indice d'octane correspondant à celui qui est recommandé par le fabricant du moteur. Il existe deux types de « gasohol » : un type contient de l'éthanol, tandis que l'autre contient du méthanol. N'utilisez pas un gasohol qui contient plus de 10 % d'éthanol. N'utilisez pas d'essence qui contient du méthanol (alcool méthylique ou de bois), mais qui n'inclut pas également des cosolvants et des inhibiteurs de corrosion pour le méthanol. N'utilisez jamais de l'essence qui contient plus de 5 % de méthanol, même si elle contient également des cosolvants et des inhibiteurs de corrosion.

	Les dommages au système d'alimentation ou les problèmes de rendement du moteur découlant de l'utilisation d'essences contenant de l'alcool ne sont pas couverts par la garantie. Le fabricant du moteur ne peut pas approuver l'utilisation d'essences contenant du méthanol étant donné que leur adaptation n'a pas encore été éprouvée. Avant d'acheter de l'essence d'une station-service inconnue, essayez de savoir si l'essence contient de l'alcool. Si elle en contient, confirmez le type d'alcool utilisé, ainsi que le pourcentage inclus. Si vous remarquez des caractéristiques de fonctionnement indésirables lorsque vous utilisez une essence qui contient de l'alcool, ou que vous croyez qu'elle contient de l'alcool, utilisez une essence dont vous êtes certains qu'elle ne contient pas d'alcool.
------------------------------------------------------------------------------------	--------------------------------------------------------------------------------------------------------------------------------------------------------------------------------------------------------------------------------------------------------------------------------------------------------------------------------------------------------------------------------------------------------------------------------------------------------------------------------------------------------------------------------------------------------------------------------------------------------------------------------------------------------------------------------------------------------------------------------------------------------------------------------------------------------------------------------

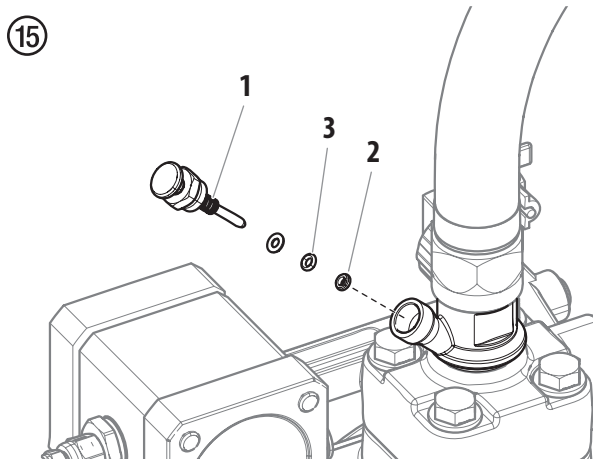
2 RÉPARATIONS SUR L'APPAREIL



Avant d'effectuer des réparations, assurez-vous d'effectuer la procédure de décompression, section 4.6 du Manuel D'utilisation.

2.1 POUSSOIR DE LA VANNE D'ASPIRATION

1. Dévisser le poussoir de la vanne d'aspiration avec une clé (de 17 mm) (fig. 15, pos. 1).
2. Remplacer le racleur (1) et le joint torique (2).

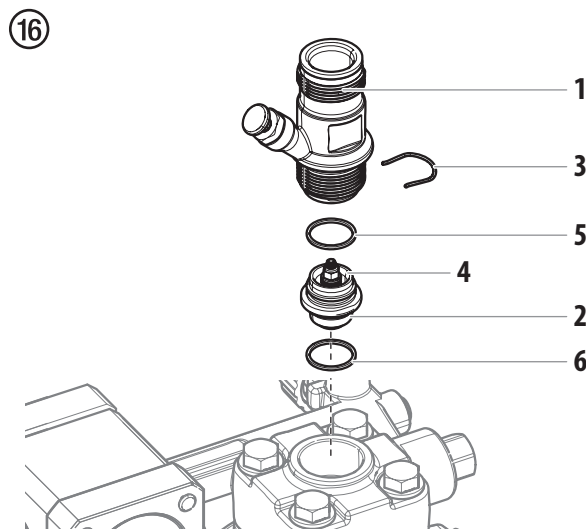


2.2 VANNE D'ASPIRATION

1. Placer la clé (de 30 mm) fournie sur le corps de poussoir (fig. 16, pos. 1).
2. Desserrer le corps de poussoir (1) à l'aide de petits coups de marteau sur l'extrémité de la clé.
3. Dévisser le corps de poussoir avec la vanne d'aspiration (2) de l'étage de peinture.
4. Enlever l'agrafe (3) avec le tournevis fourni.
5. Placer la clé (de 30 mm) fournie sur la vanne d'aspiration (2). Enlever prudemment la vanne d'aspiration d'un mouvement de rotation.
6. Nettoyer le siège de vanne (4) avec du produit de nettoyage et un pinceau (veiller à ce qu'il ne reste pas de poils de pinceau).
7. Nettoyer les joints (5, 6) et contrôler s'ils sont endommagés, remplacer le cas échéant.
8. Contrôler toutes les pièces de la vanne pour détérioration éventuelle. En cas d'usure visible, remplacer la vanne d'aspiration.

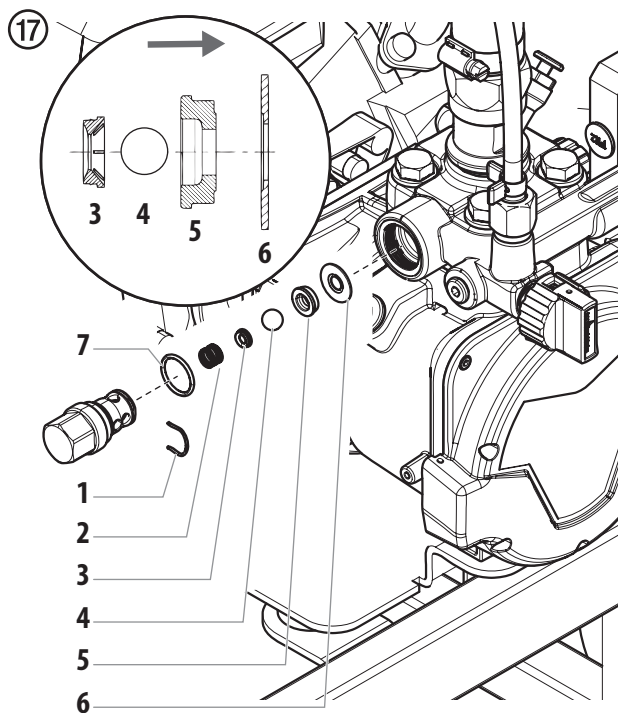
MONTAGE

1. Placer la vanne d'aspiration (2) dans le corps de poussoir (1) et la fixer avec l'agrafe (3). Veiller à ce que le joint (noir) (5) soit monté dans le corps de poussoir.
2. Visser l'ensemble du corps de poussoir et de la vanne d'aspiration dans l'étage de peinture. Le joint (noir) (6) doit être monté dans l'étage de peinture.
3. Serrer le corps de poussoir avec la clé (de 30 mm) et bloquer de trois petits coups de marteau sur l'extrémité de la clé (correspond à un couple de serrage de 90 Nm).



2.3 CLAPET DE REFOULEMENT

1. Dévisser le clapet de refoulement de l'étage de peinture avec la clé (de 22 mm).
2. Extraire prudemment l'agrafe (1) avec le tournevis le ressort de compression (2) expulse la bille (4) et le siège de vanne (5).
3. Nettoyer ou remplacer les pièces individuelles.
4. Contrôler le joint torique (7) pour détérioration éventuelle.
5. Veiller à la position de montage lors du montage de la bague-support (3) (se clipse dans le ressort de compression (2)), du siège de clapet de refoulement (5) et de la bague d'étanchéité (6) -> voir figure.
6. Serrer le clapet de refoulement à 60 Nm.

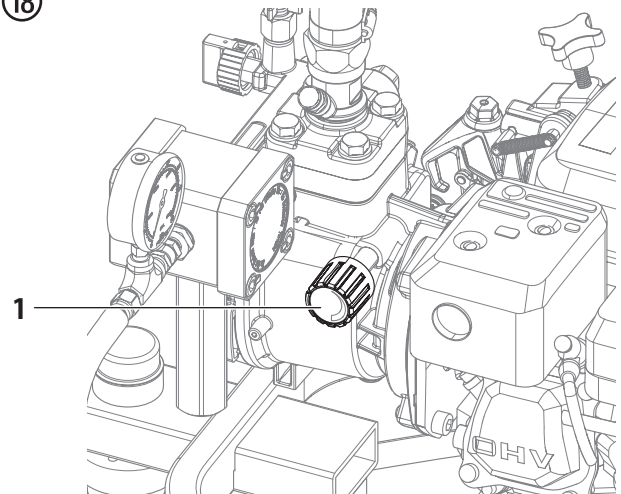


2.4 VANNE DE RÉGLAGE DE PRESSION



Faire remplacer la vanne de réglage de pression (1) uniquement par le service après-vente.
La pression de service max. doit être à nouveau réglée par le service après-vente.

18



2.5 PIÈCES D'USURE TYPIQUES

Malgré l'utilisation de matériaux de qualité supérieure, on doit s'attendre à l'usure des éléments suivants du fait de l'action fortement abrasive des peintures:

VANNE D'ASPIRATION (pièce de rechange réf.: 344700)

Remplacement, voir point 2.2

(La panne se remarque par une perte de puissance et/ou une mauvaise aspiration, voire pas d'aspiration du tout - un nettoyage approfondi peut également déjà apporter une amélioration.)

CLAPET DE REFOULEMENT (pièce de rechange réf.: 2413371)

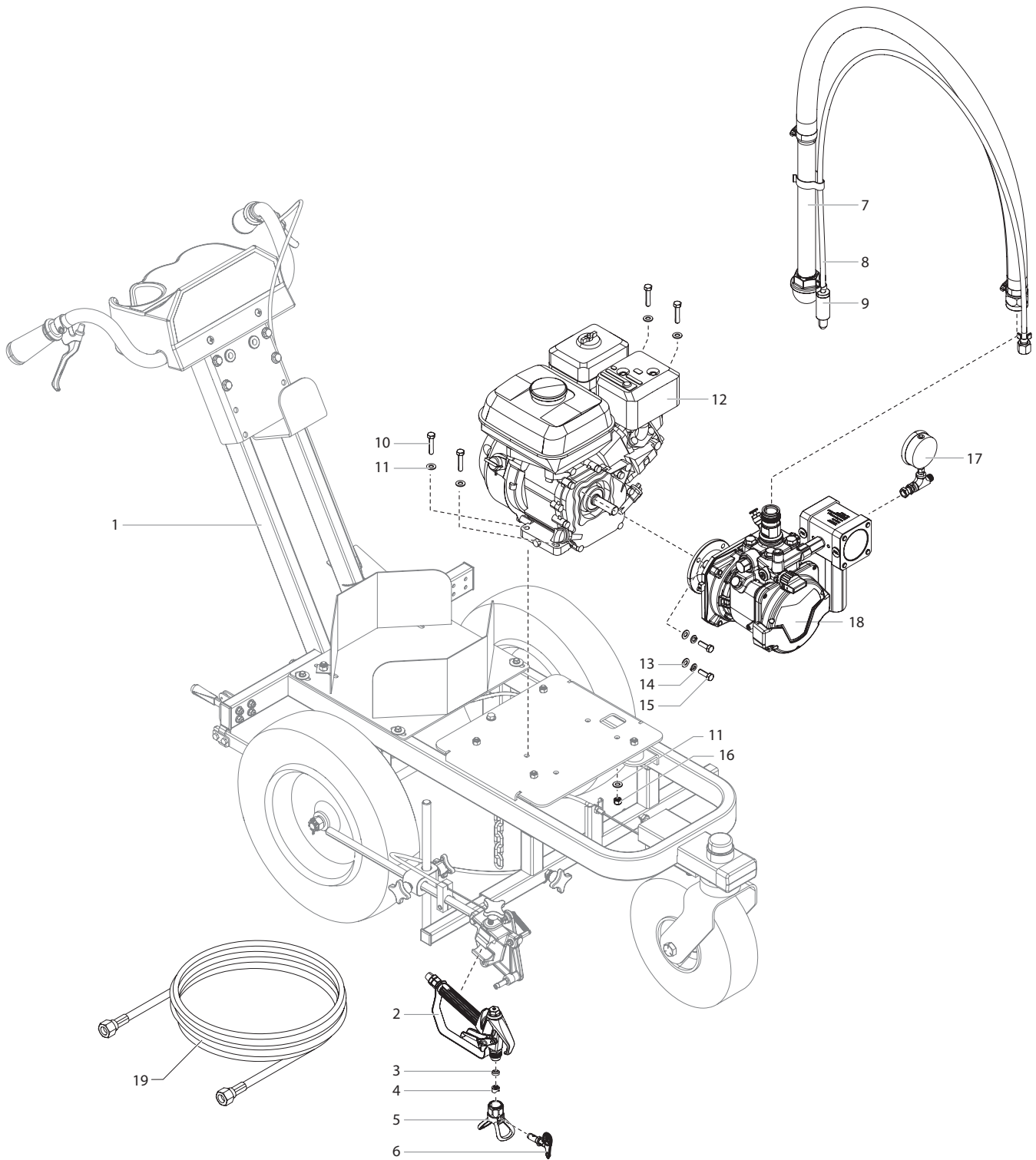
Remplacement, voir point 2.3

ILLUSTRATION DES PIÈCES DE RECHANGE

GB MAIN ASSEMBLY (PL3500)

D HAUPTBAUGRUPPE (PL3500)

F ENSEMBLE PRINCIPAL (PL3500)



Pos.	PL3500	Description	Benennung	Description
1*	0537244A	Cart assembly	Wagenbaugruppe	Ensemble de chariot
2	538014	Gun assembly	Pistoleneinheit	Ensemble de pistolet
3	651-020	Tip seal	Düsenkappe	Joint d'étanchéité
4	297007	Tip seal retainer	Halter Düsenkappe	Dispositif de retenue du joint d'étanchéité
5	289122	Tip guard assembly	Düsenschutzvorrichtung	Ensemble de la protection de la buse
6	697-419	Spray tip, 419	Spritzdüse, 419	Chapeau d'air, 419
7*	2408355	Siphon assembly	Siphonbaugruppe	Ensemble de siphon
8	2410679	Bleed hose assembly	Entlüftungsschlauchbaugruppe	Ensemble de tuyau de purge
9	2424122	Diffuser assembly	Diffusorbaugruppe	Assemblage du diffuseur
10	860-552	Screw (4)	Schraube (4)	Vis (4)
11	756-088	Washer (8)	Scheibe (8)	Rondelle (8)
12	980-332A	Gas engine, Honda, 4.0 Hp	Benzinmotor, Honda, 4.0 PS	Moteur à essence, Honda, 4.0 HP
13	756-088	Washer (4)	Scheibe (4)	Rondelle (4)
14	860-002	Lock washer (4)	Sicherungsscheibe (4)	Rondelle Grower (4)
15	509538	Screw (4)	Schraube (4)	Vis (4)
16	9811122	Nut (4)	Mutter (4)	Écrou (4)
17	521229	Pressure gauge	Manometer	Manomètre
18*	2360739A	Pump assembly	Pumpenbaugruppe	Ensemble de pompe
19	316-505	50' spray hose	15m Spritzschlauch	Tuyau de pulvérisation de 15 m
	537740	Front cover label	Etikett, vordere Abdeckung	Étiquette, couverture
	537727	Relief valve label	Etikett, Überdruckventil	Étiquette, soupape de décharge

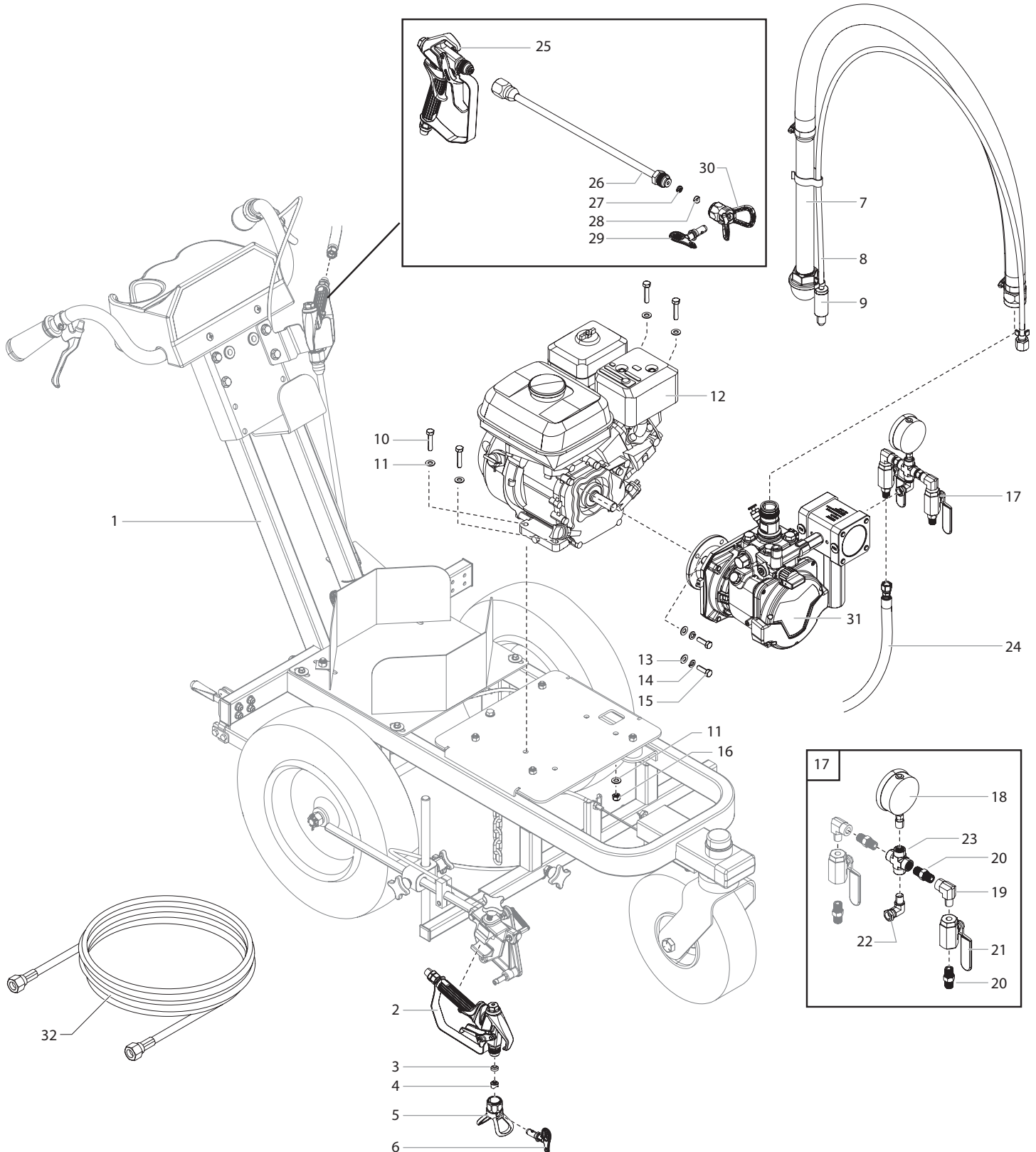
* See separate listing / Siehe separate Auflistung / voir la liste de pièces distincte

ILLUSTRATION DES PIÈCES DE RECHANGE

GB MAIN ASSEMBLY (PL3500S)

D HAUPTBAUGRUPPE (PL3500S)

F ENSEMBLE PRINCIPAL (PL3500S)



Pos.	PL3500S	Description	Benennung	Description
1*	2416256A	Cart assembly	Wagenbaugruppe	Ensemble de chariot
2	538014	Gun assembly	Pistoleneinheit	Ensemble de pistolet
3	651-020	Tip seal	Düsenkappe	Joint d'étanchéité
4	297007	Tip seal retainer	Halter Düsenkappe	Dispositif de retenue du joint d'étanchéité
5	289122	Tip guard assembly	Düsenschutzvorrichtung	Ensemble de la protection de la buse
6	697-419	Spray tip, 419	Spritzdüse, 419	Chapeau d'air, 419
7*	2408355	Siphon assembly	Siphonbaugruppe	Ensemble de siphon
8	2410679	Bleed hose assembly	Entlüftungsschlauchbaugruppe	Ensemble de tuyau de purge
9	2424122	Diffuser assembly	Diffusorbaugruppe	Assemblage du diffuseur
10	860-552	Screw (4)	Schraube (4)	Vis (4)
11	756-088	Washer (8)	Scheibe (8)	Rondelle (8)
12	980-332A	Gas engine, Honda, 4.0 Hp	Benzinmotor, Honda, 4.0 PS	Moteur à essence, Honda, 4.0 HP
13	756-088	Washer (4)	Scheibe (4)	Rondelle (4)
14	860-002	Lock washer (4)	Sicherungsscheibe (4)	Rondelle Grower (4)
15	509538	Screw (4)	Schraube (4)	Vis (4)
16	9811122	Nut (4)	Mutter (4)	Écrou (4)
17	2416321A	Cross assembly (includes items 18-23)	Montagekreuz (beinhaltet Pos. 18-23)	Ensemble de croisement (comprend les articles 18 à 23)
18	508626	Pressure gauge	Manometer	Manomètre
19	810-555	Elbow, 90° (2)	Winkelstück, 90° (2)	Coude, 90° (2)
20	9885661	Fitting, 1/4" NPT (4)	Stutzen, 1/4" NPT (4)	Raccord, ¼ po NPT (4)
21	940-553	Ball valve (2)	Kugelventil (2)	Clapet à bille (2)
22	2410651	Swivel adapter, 90°	Schwenkadapter, 90°	Adaptateur pivotant, 90°
23	2416327	Cross fitting	Montagekreuz	Raccord en croix
24	2408659	Stencil gun spray hose (1/4 x 12', 3600 psi)	Spritzschlauch Schablonenpistole (6,35 mm x 3,6 m, 248 bar)	Tuyau de pulvérisation du pistolet pour pochoir (6,35 mm x 3,6 m, 248 bar)
25	538014	RX-80 Stencil gun assembly	Baugruppe Schablonenpistole RX-80	Ensemble du pistolet pour pochoir, RX-80
26	2418851	Tip extension (includes item 29)	Spitzenverlängerung (beinhaltet Pos. 29)	Rallonge de la buse (comprend l'article 29)
27	651-020	Tip seal	Düsenkappe	Joint d'étanchéité
28	297007	Tip seal retainer	Halter Düsenkappe	Dispositif de retenue du joint d'étanchéité
29	289228	Tip guard assembly	Düsenschutzvorrichtung	Ensemble de la protection de la buse
30	695-517	Stencil gun spray tip, 517	Spritzdüse Schablonenpistole, 517	Buse du pistolet pour pochoir, 517
31*	2360739A	Pump assembly	Pumpenbaugruppe	Ensemble de pompe
32	316-505	50' spray hose	15m Spritzschlauch	Tuyau de pulvérisation de 15 m
	2417491	Front cover label	Etikett, vordere Abdeckung	Étiquette, couverture
	537727	Relief valve label	Etikett, Überdruckventil	Étiquette, soupape de décharge
	2418165	PL3500 stencil gun kit	PL3500 Schablonenpistolen-Kit	Kit pistolet à pochoir PL3500

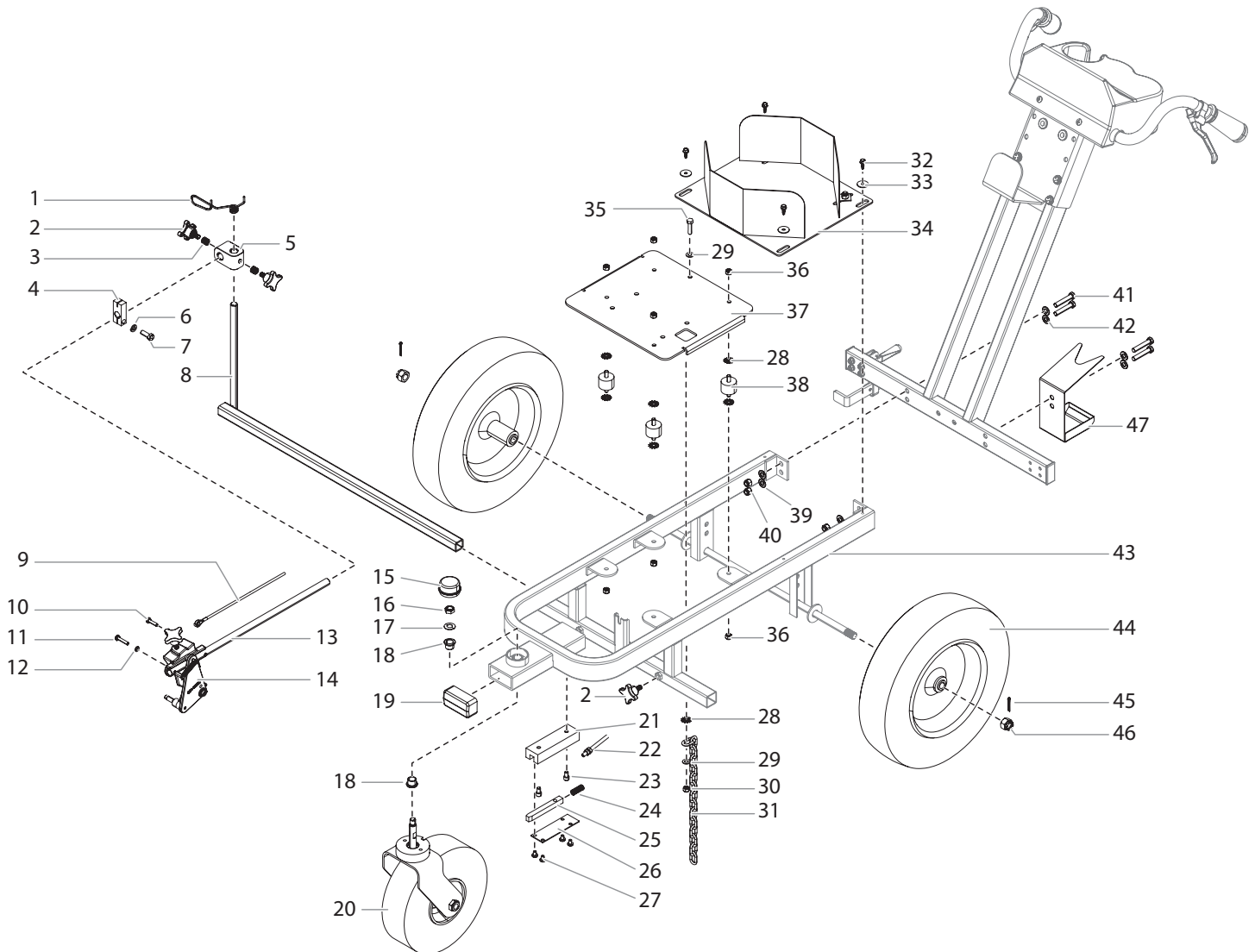
* See separate listing / Siehe separate Auflistung / voir la liste de pièces distincte

ILLUSTRATION DES PIÈCES DE RECHANGE

GB CART ASSEMBLY I

D WAGENBAUGRUPPE I

F ENSEMBLE DE CHARIOT I



Pos.	PL3500	PL3500S	Description	Benennung	Description
1	424-288	424-288	Cable guide	Kabelführung	Guide du câble
2	290349	290349	Clamping knob (3)	Klemmungsknopf (3)	Bouton de serrage (3)
3	290350	290350	Spring (2)	Feder (2)	Ressort (2)
4	424-226	424-226	Cable mounting clamp	Kabelmontageklammer	Collier de fixation du câble
5	290899	290899	Clamp body	Klemmenbaugruppe	Collier
6	509292	509292	Lock washer	Federscheibe	Rondelle de blocage
7	862-436	862-436	Screw	Schraube	Vis
8	0290167A	0290167A	Gun riser weldment	Seitenrohrschweissteil	Ensemble soudé du tube glissant
9	537518	537518	Gun cable	Spritzpistolenkabel	Câble du pistolet
10	858-636	858-636	Screw	Schraube	Vis

Pos.	PL3500	PL3500S	Description	Benennung	Description
11	858-002	858-002	Lock washer (2)	Federscheibe (2)	Rondelle de blocage (2)
12	9805456	9805456	Screw	Schraube	Vis
13	290327	290327	Support arm	Stützarm	Bras de support
14*	290381	290381	Gun holder assembly	Baugruppe Pistolenhalter	Ensemble de support à pistolet
15	779-086	779-086	Dust cap	Staubdeckel	Protection contre les poussières
16	759-063	759-063	Nut	Mutter	Écrou
17	759-514	759-514	Spring washer	Federscheibe	Rondelle de ressort
18	759-430	759-430	Bushing (2)	Buchse (2)	Bague (2)
19	290063	290063	End cap	Abschlusskappe	Bouchon d'extrémité
20	0290143A	0290143A	Wheel assembly	Sprüherbaugruppe	Assemblage de la roulette
21	290897	290897	Guide block	Böckchen	Dispositif de guidage
22	537542	537542	Wheel lock cable	Feststellbremskabel	Câble de blocage de roue
23	9805455	9805455	Socket screw (2)	Inbusschraube (2)	Vis creuse (2)
24	756-087	756-087	Lock spring	Feststellfeder	Ressort de blocage
25	290898	290898	Caster lock pin	Sprüher Arretierbolzen	Goupille d'arrêt de la roulette
26	290896	290896	Block cover	Verschlusskappe	Couvercle de blocage
27	509219	509219	Screw (4)	Schraube (4)	Vis (4)
28	9822639	9822639	Star washer (9)	Klemmscheibe (9)	Rondelle en étoile (9)
29	756-088	756-088	Washer (2)	Scheibe (2)	Rondelle (2)
30	9811122	9811122	Nut	Mutter	Écrou
31	537919	537919	Grounding chain	Erdungskette	Chaîne de mise à la terre
32	9805460	9805460	Screw (4)	Schraube (4)	Vis (4)
33	770-223	770-223	Washer (4)	Scheibe (4)	Rondelle (2)
34	0290697A	0290697A	Bucket holder	Eimerhalter	Porte-godet
35	860-544	860-544	Screw	Schraube	Vis
36	9811122	9811122	Nut (8)	Mutter (8)	Écrou (8)
37	2416250	2416250	Plate	Platte	Plaque
38	537516	537516	Vibration isolator (4)	Schwingungsdämpfer (4)	Amortisseur de vibration (4)
39	509285	509285	Flat washer (4)	Flache Unterlegscheibe (4)	Rondelle plate (4)
40	862-410	862-410	Lock nut (4)	Stellmutter (4)	Écrou de blocage (4)
41	9805477	9805477	Screw (4)	Schraube (4)	Vis (4)
42	509285	509285	Flat washer (4)	Flache Unterlegscheibe (4)	Rondelle plate (4)
43	0290096A	0290096A	Frame	Rahmen	Châssis
44	759-516A	759-516A	Rear wheel (2)	Hinterradl (2)	Roue arrière (2)
45	756-079	756-079	Cotter pin (2)	Spint (2)	Clavette (2)
46	756-078	756-078	Castle nut (2)	Kronenmutter (2)	Écrou à créneaux (2)
47	-----	2415099	Drip tray	Tropfschale	Plateau d'égouttage

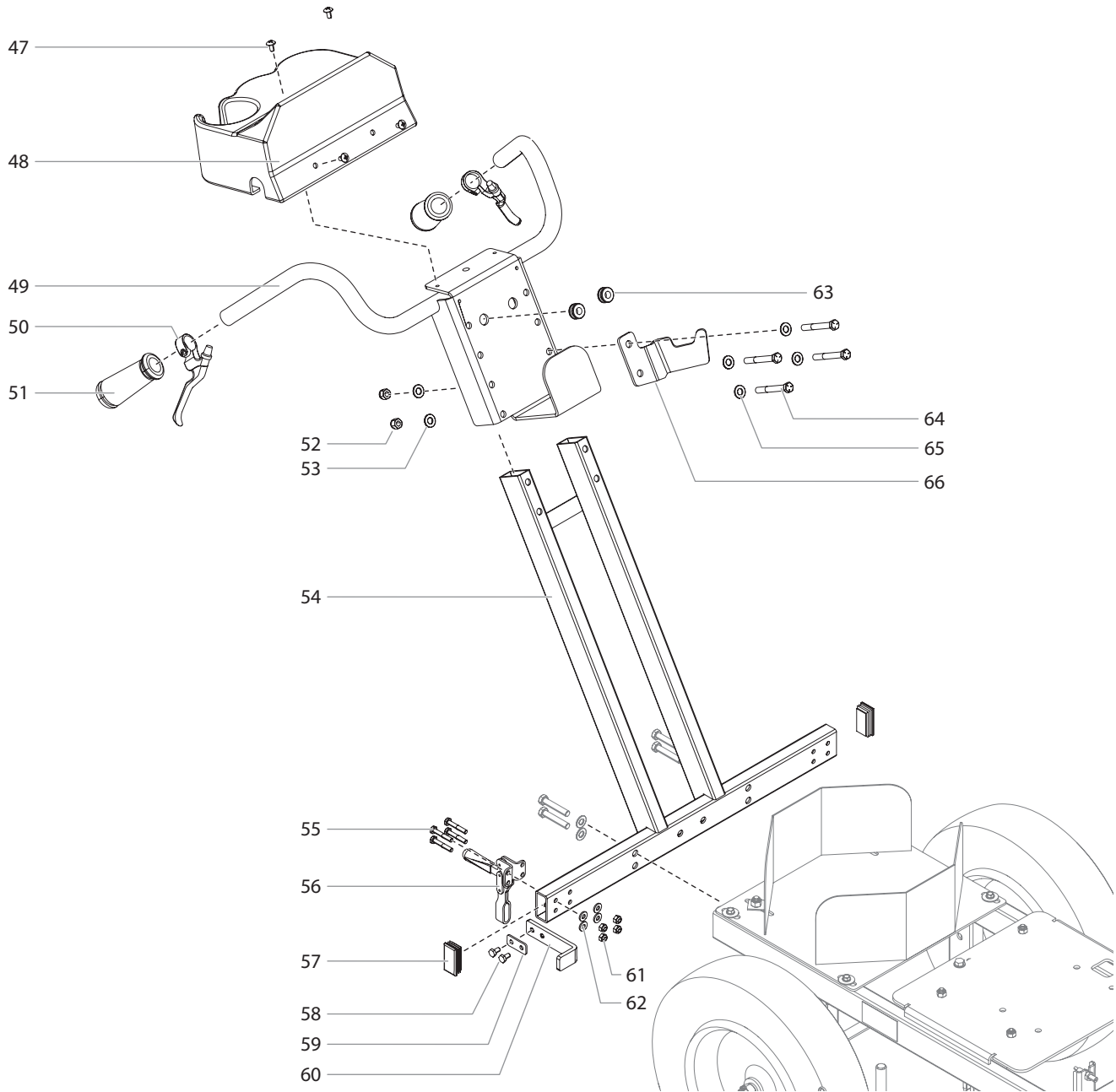
* See separate listing / Siehe separate Auflistung / voir la liste de pièces distincte

ILLUSTRATION DES PIÈCES DE RECHANGE

GB CART ASSEMBLY II

D WAGENBAUGRUPPE II

F ENSEMBLE DE CHARIOT II

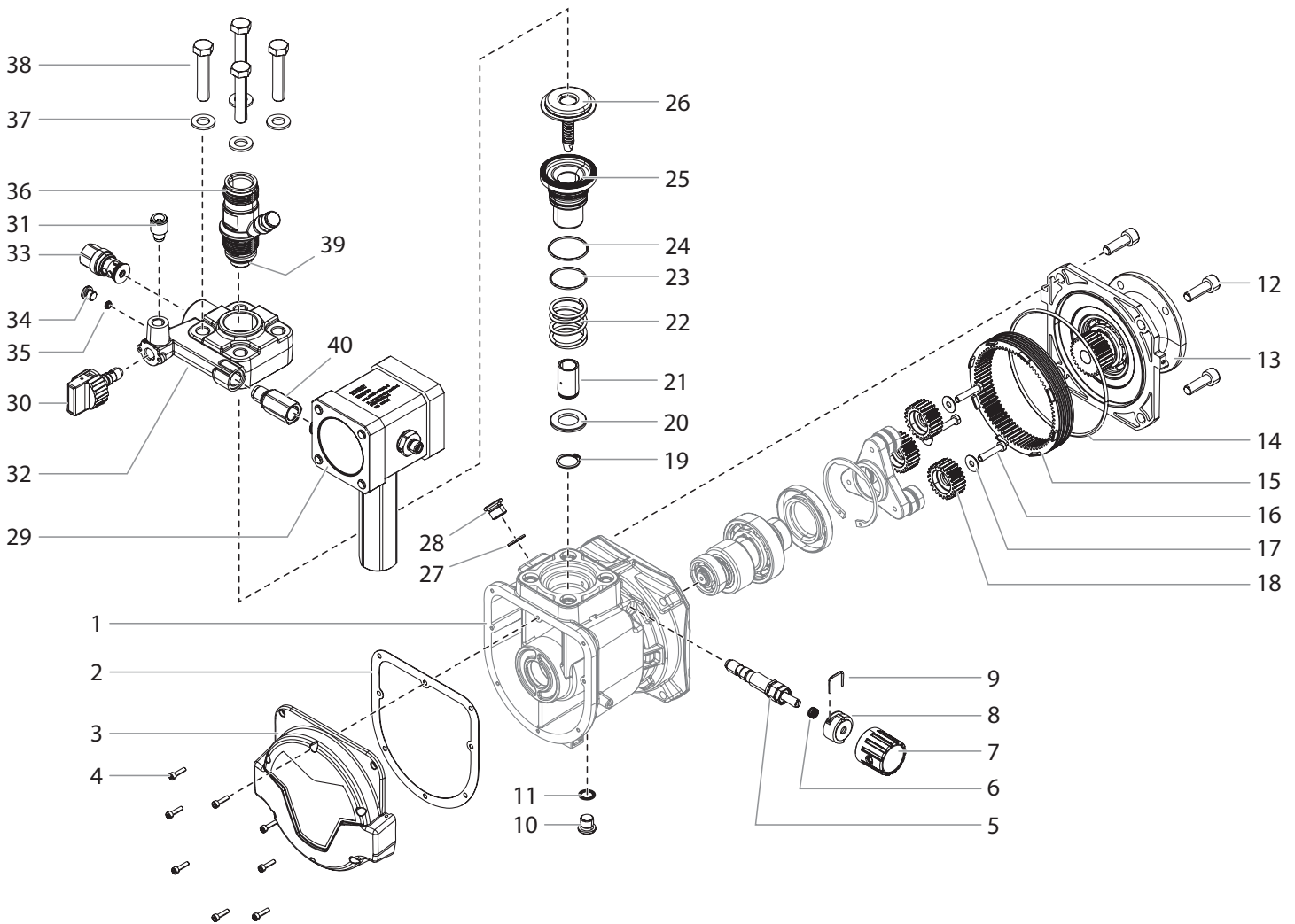


Pos.	PL3500	PL3500S	Description	Benennung	Description
47	9805459	9805459	Screw (4)	Schraube (4)	Vis (4)
48	0290161A	0290161A	Dashboard	Instrumententafel	Tableau de bord
49	0537241A	0537241A	Handlebar weldment	Schweißkonstruktion Lenker	Assemblage soudé du guidon
50	759-215	759-215	Trigger lever (2)	Triggerhebel (2)	Levier de la détente (2)
51	424-245	424-245	Grip (2)	Griff (2)	Poignée (2)
52	862-410	862-410	Lock nut (4)	Stellmutter (4)	Écrou de blocage (4)
53	509285	509285	Flat washer (4)	Flache Unterlegscheibe (4)	Rondelle plate (4)
54	0290097A	0290097A	Handle assembly	Lenkstangenbaugruppe	Assemblage de la poignée
55	9805477	9805477	Screw (4)	Schraube (4)	Vis (4)
56	290684	290684	Brake clamp	Bremsenklemme	Collier du frein
57	779-121	779-121	Plastic plug (2)	Plastikstöpsel (2)	Fiche en plastique (2)
58	858-625	858-625	Screw (2)	Schraube (2)	Vis (2)
59	537528	537528	Brake plate	Bremsplatte	Plaque de freins
60	537522	537522	Brake pad	Bremsklotz	Plaquette de frein
61	862-410	862-410	Lock nut (4)	Stellmutter (4)	Écrou de blocage (4)
62	770-601	770-601	Flat washer (4)	Flache Unterlegscheibe (4)	Rondelle plate (4)
63	800-036	800-036	Grommet (2)	Gummidichtung (2)	Passe-fil (2)
64	9805441	9805441	Screw (4)	Schraube (4)	Vis (4)
65	509285	509285	Flat washer (4)	Flache Unterlegscheibe (4)	Rondelle plate (4)
66	-----	2417452	Stencil gun holster	Halfter Schablonenpistole	Support du pistolet pour pochoir

ILLUSTRATION DES PIÈCES DE RECHANGE

GB PUMP ASSEMBLY
F ENSEMBLE DE POMPE

D PUMPENBAUGRUPPE



Pos.	PL3500 PL3500S	Description	Benennung	Description
1	-----	Pump manifold	Pumpenverteiler	Collecteur de pompe
2	2359781	Manifold gasket	Dichtung Verteiler	Joint de collecteur
3	2354707	Front cover	Vordere Abdeckung	Couvercle avant
4	9900308	Screw (8)	Schraube (8)	Vis (8)
5	340222	Regulator assembly	Reglerbaugruppe	Ensemble de régulateur
6	10861	Pressure spring	Druckfeder	Ressort de pression
7	341219	Pressure control knob	Druckregler	Bouton de commande de pression
8	10859	Stop sleeve	Anschlaghülse	Manchon d'arrêt

Pos.	PL3500 PL3500S	Description	Benennung	Description
9	10858	Retaining clip	Klemme	Pince
10	9904307	Plug	Verschluss	Bouchon
11	9970210	Seal	Dichtung	Joint d'étanchéité
12	9900301	Screw (4)	Schraube (4)	Vis (4)
13	2360991	Flange assembly	Flansch	Ensemble de collet
14	2337102	O-ring	O-Ring	Joint torique
15	2334008	Gear ring	Zahnkranz	Couronne
16	9902101	Screw (3)	Schraube (3)	Vis (3)
17	9920304	Washer (3)	Scheibe (3)	Rondelle (3)
18	2343682	Planetary gear set (set of 3)	Planetengetriebe (3er-Satz)	Ensemble d'engrenages planétaires (ensemble de 3)
19	2337078	Retaining ring	Haltering	Bague de retenue
20	3061423	Washer	Scheibe	Rondelle
21	2333996	Piston	Kolben	Piston
22	2337076	Compression spring	Druckfeder	Ressort de compression
23	2337113	O-ring	O-Ring	Joint torique
24	2337112	O-ring	O-Ring	Joint torique
25	2336971	Pressure vessel	Druckbehälter	Réservoir à pression
26	537904	Diaphragm kit	Membranbaugruppe	Ensemble de diaphragme
27	9970103	Seal	Dichtung	Joint d'étanchéité
28	9904302	Plug	Verschluss	Bouchon
29*	2374324	Filter assembly	Filterbaugruppe	Ensemble de filtre
30	169248	Relief valve assembly	Überdruckventilbaugruppe	Ensemble de soupape de sûreté
31	344323	Bleed hose fitting	Rücklaufschlauchstutzen	Raccord du tuyau de retour
32	2369435	Pump head	Pumpenkopf	Tête de pompe
33	2413371	Outlet valve assembly	Auslassventilbaugruppe	Ensemble de soupape de refoulement
34	9904306	Plug	Verschluss	Bouchon
35	9970218	Seal	Dichtung	Joint d'étanchéité
36*	2402347	Pusher stem assembly (includes item 39)	Kolbenbaugruppe (enthält Pos. 39)	Ensemble de tige de poussée (comprend le article 39)
37	9920134	Washer (4)	Scheibe (4)	Rondelle (4)
38	9900217	Screw (4)	Schraube (4)	Vis (4)
39	344700	Inlet valve	Ventilgehäuse	Compartiment des soupapes
40	2410072	Fitting, extension	Verlängerungsbeschlag	Raccord de rallonge
	537903	Valve repair kit (includes items 33 and 39)	Ventilreparatursatz (enthält Pos. 33 und 39)	Trousse de réparation de soupape (comprend les articles 33 et 39)
	2408084	Pump head kit (includes items 30-36, and 39-40)	Pumpenkopfsatz (enthält Pos. 30-36 und 39-40)	Trousse de tête de pompe (comprend les articles 30 à 36 et 39 à 40)

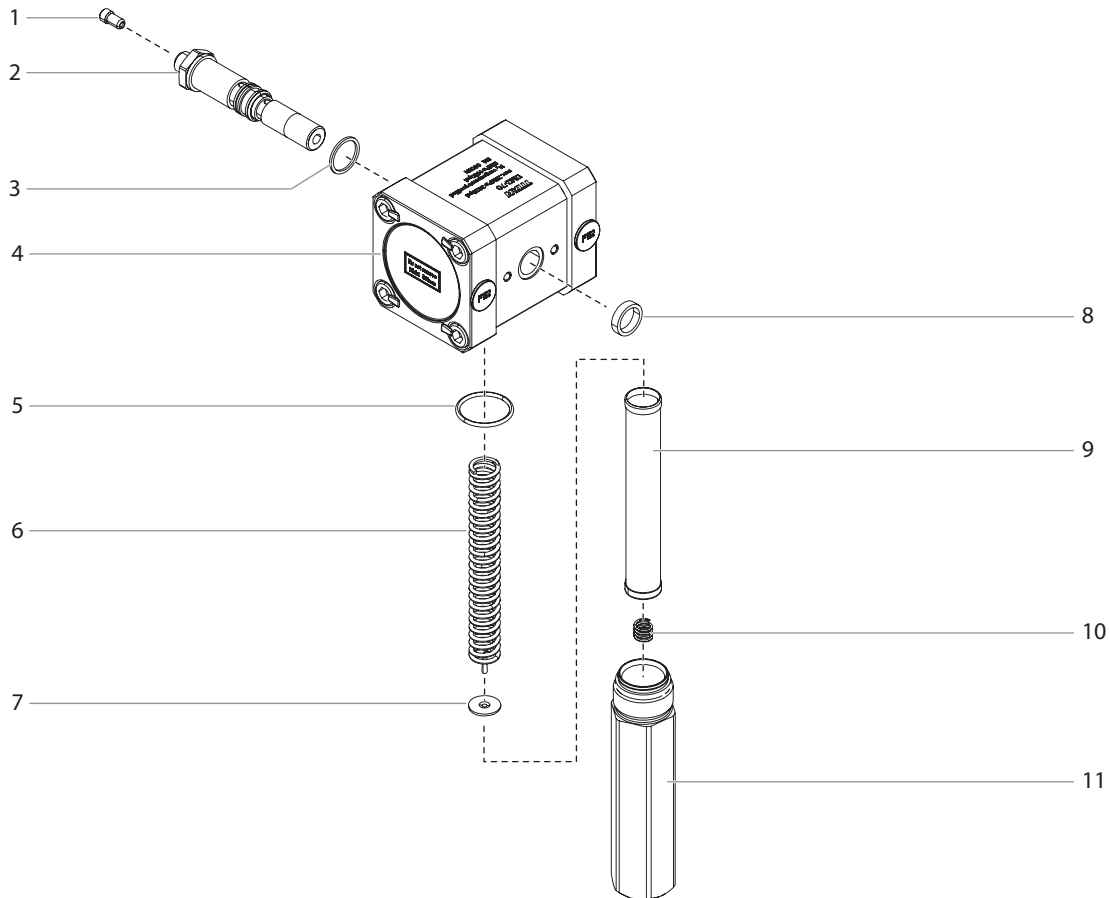
* See separate listing / Siehe separate Auflistung / voir la liste de pièces distincte

ILLUSTRATION DES PIÈCES DE RECHANGE

GB HIGH PRESSURE FILTER

D HOCHDRUCKFILTER

F FILTRE À HAUTE PRESSION

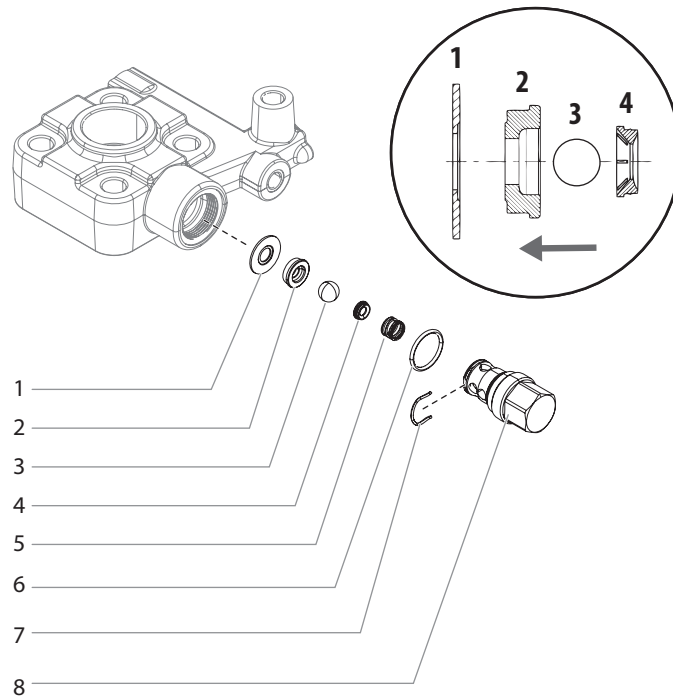


Pos.	PL3500 PL3500S	Description	Benennung	Description
1	2405643	Orifice	Öffnung	Orifice
2	2360658A	Fitting assembly	Fitting Montage	Assemblage du raccord
3	9970110	Washer	Scheibe	Rondelle
4	2374324	Pulsation dampener (includes items 1-10)	Pulsationsdämpfer (beinhaltet Pos. 1-10)	Amortisseur de pulsations (inclut les articles 1 à 10)
5	9974027	O-ring	O-Ring	Joint torique
6	757-105	Filter support spring	Filterstützfeder	Ressort de support du filtre
7	702-251	Filter insert	Filtereinsatz	Élément filtrant
8	97304	Washer	Scheibe	Rondelle
9	730-067	Filter support	Filterträger	Support du filtre
10	9994245	Spring	Feder	Ressort
11	97302	Filter housing	Filtergehäuse	Boîtier du filtre

GB OUTLET VALVE ASSEMBLY

D AUSLASSVENTILBAUGRUPPE

F ENSEMBLE DE SOUPAPE DE REFOULEMENT



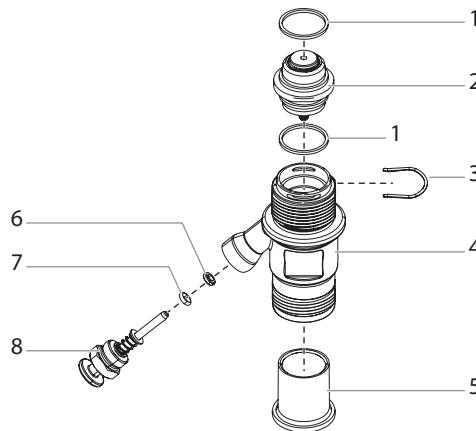
Pos.	PL3500 PL3500S	Description	Benennung	Description
1	341347	Seal	Dichtung	Joint d'étanchéité
2	341327	Outlet valve seat	Auslassventilsitz	Siège de soupape de sortie
3	9941501	Outlet valve ball	Auslassventilkugel	Bille de soupape de sortie
4	253405	Spring support ring	Federaufnahmering	Bague de soutien du support
5	341326	Compression spring	Druckfeder	Ressort de compression
6	9971470	O-ring	O-Ring	Joint torique
7	341328	Clip	Schelle	Clip
8	-----	Outlet valve housing	Auslassventilgehäuse	Boîtier de la soupape de sortie
	2413371	Outlet valve assembly (includes items 1-8)	Auslassventilbaugruppe (beinhaltet Pos. 1-8)	Ensemble de soupape de refoulement (inclut les articles 1 à 8)

ILLUSTRATION DES PIÈCES DE RECHANGE

GB INLET VALVE BODY ASSEMBLY

D EINLASSVENTILBAUGRUPPE

F ENSEMBLE DE SOUPAPE D'ENTRÉE

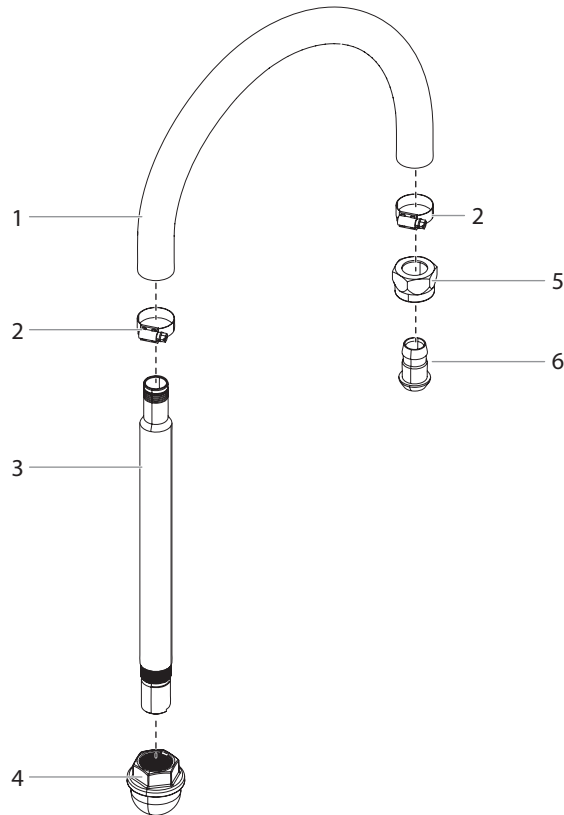


Pos.	PL3500 PL3500S	Description	Benennung	Description
1	341331	Seal (2)	Dichtung (2)	Joint d'étanchéité (2)
2	344700	Inlet valve	Ventilgehäuse	Compartiment des soupapes
3	341336	Clip	Schelle	Agrafe
4	2334383	Inlet housing	Einlassgehäuse	Carter d'entrée
5	340339	Inlet	Einlass	Orifice d'entrée
6	341316	Wiper	Abstreifer	Protecteur d'étanchéité
7	9971486	O-ring	O-Ring	Joint torique
8	2337033	Inlet valve pusher assembly (includes item 6-7)	Baugruppe Einlassventilkolben (beinhaltet Pos. 6-7)	Ensemble de poussoir de la soupape d'admission (inclut l'article 6-7)

GB SIPHON HOSE ASSEMBLY
 F ASSEMBLAGE DU TUYAU DE SIPHON

D SYPHONSCHLAUCHBAUGRUPPE

PL3500 / PL3500S - P/N 2408355



Pos.	PL3500 PL3500S	Description	Benennung	Description
1	2423379	Siphon hose	Siphonschlauch	Tuyau-siphon
2	103-679	Clamp (2)	Schelle (2)	Clamp (2)
3	0537512A	Down tube	Unterrohr	Tube diagonal
4	710-046	Inlet screen	Einlasssieb	Crépine d'entrée
5	253426	Suction set adapter	Siphonschlauch-Adapter	Adaptateur de tuyau-siphon
6	34602	Adapter	Adapter	Adaptateur

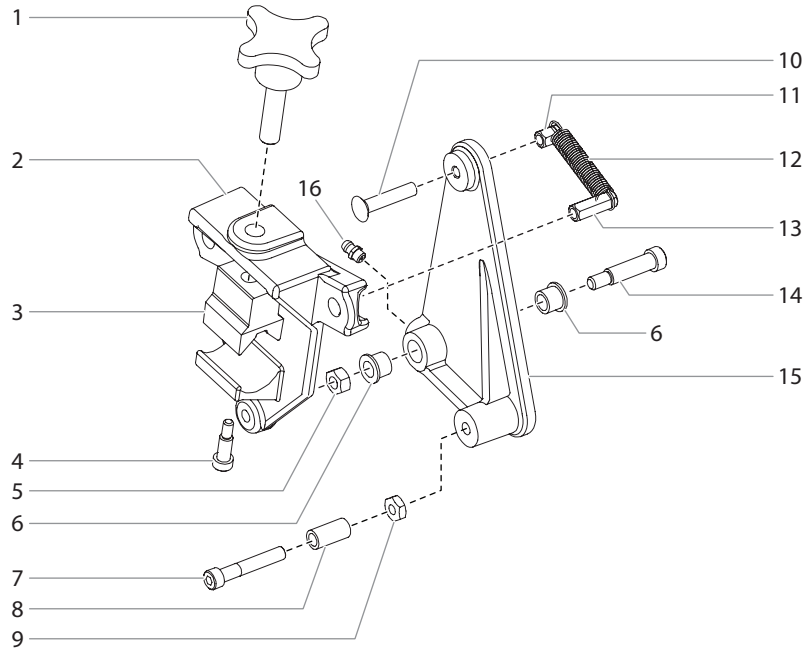
ILLUSTRATION DES PIÈCES DE RECHANGE

GB GUN HOLDER ASSEMBLY

D BAUGRUPPE PISTOLENHALTER

F ENSEMBLE DE SUPPORT À PISTOLET

290381



Pos.	PL3500 PL3500S	Description	Benennung	Description
1	756-034	Clamping knob	Klemmungsknopf	Bouton de serrage
2	-----	Gun holder	Spritzpistolenhalter	Support du pistolet
3	759-316	Clamp block	Klemmblock	Bloc de blocage
4	756-037	Shoulder screw	Schraube	Vis à épaulement
5	9810108	Jam nut	Blockierungsmutter	Contre-écrou
6	424-248	Flange bearing (2)	Flanschlager (2)	Palier applique (2)
7	858-653	Shoulder screw	Schraube	Vis à épaulement
8	424-249	Sleeve bearing	Gleitlager	Palier applique
9	858-603	Jam nut	Blockierungsmutter	Contre-écrou
10	703-079	Screw	Schraube	Vis
11	759-056	Spring holder (short)	Federhalter (kurz)	Support de ressort (court)
12	509781	Return spring	Rückholfeder	Ressort de rappel
13	759-057	Spring holder (long)	Federhalter (lang)	Support de ressort (long)
14	860-936	Shoulder screw	Schraube	Vis à épaulement
15	424-202	Lever	Hebel	Levier
16	762-052	Grease fitting	Schmierfitting	Graisser
	290381	Gun holder assembly (includes items 1-16)	Baugruppe Pistolenhalterung (beinhaltet Pos. 1-16)	Ensemble de support à pistolet (inclut les articles 1 à 16)

GB ACCESSORIES
F ACCESSOIRES

D ZUBEHÖR

PART NO.	DESCRIPTION	BENENNUNG	DESCRIPTION
SPRAY GUNS		SPRITZPISTOLE	PISTOLETS DE PULVÉRISATION
538005	RX-80™ 4 finger with Tip	RX-80™ 4-finger mit Düse	RX-80™ à 4 doigts avec buse
538006	RX-80™ 2 finger with Tip	RX-80™ 2-finger mit Düse	RX-80™ à 2 doigts avec buse
550060	S-3 with 517 Tip	S-3 mit Düse 517	S-3 avec buse 517
SPRAY TIPS AND ACCESSORIES		SPRITZDÜSEN UND ZUBEHÖR	BUSES D'AIR ET ACCESSOIRES
697-xxx	Striping tip*	Markierungsdüse*	Buse pour peindre les lignes*
0289228A	No Build Tip Guard	No Build Tip Guard (Düsenschutz vor Verstopfung)	Protecteur de buse sans accumulation
538029	Tip Swivel	Drehgelenk Düse	Pivot de buse
661-020	Tip seat and seal kit (5 pack)	Düsensitz und Dichtungssatz (5-er Pack)	Siège de buse et trousse d'étanchéité (ens. de 5)
FILTERS		FILTER	FILTRES
89957	Coarse Mesh Filter (Green)	Grobmaschiges Filter (grün)	Filtre de maille grossier (vert)
0089958B	Medium Mesh Filter (White)	Filter mit mittlerer Maschenstärke (weiß)	Filtre de maille moyen (blanc)
0089959A	Fine Mesh Filter (Yellow)	Feinfilter (gelb)	Filtre de maille fin (jaune)
89960	Extra Fine Mesh Filter (Red)	Filter mit extrafeiner Maschenstärke (rot)	Filtre de maille extra-fin (rouge)
LINE STRIPER ACCESSORIES		ZUBEHÖR LINIENMARKIERUNG	ACCESSOIRES DE L'APPAREIL À PEINDRE DES LIGNES
2418165	PL3500 stencil gun kit	PL3500 Schablonenpistolen-Kit	Kit pistolet à pochoir PL3500
759-130	Paint Hopper (12 gallons)	Farbtrichter (45 l)	Trémie à peinture (45 l)
0290175A	LineSite Laser	LineSite-Laser	Laser LineSite
2436953	Laser Kit, Linemarking	Laser Kit – Linienmarkierung	Laser Kit – Traçage routier
759-150	Side Striper	Side Striper	Appareil latéral à peindre les lignes
424-826	1 Gun Kit w/Hopper, 4–6" line width (gas models only)	1-Pistole-Kit und Farbtrichter, 10–15 cm Linienstärke (nur Benzinmodelle)	Trousse pour 1 pistolet avec trémie, largeur de ligne de 10 à 15 cm (modèles à essence uniquement)
424-840	1 Gun Kit w/Hopper, 12" line width (gas models only)	1-Pistole-Kit und Farbtrichter, 30 cm Linienstärke (nur Benzinmodelle)	Trousse pour 1 pistolet avec trémie, largeur de ligne de 30 cm (modèles à essence uniquement)
290181	Bead Dispenser bracket kit (required for Bead Dispenser) (gas models only)	Halterungssatz Perlstreuer (erforderlich für Perlstreuer) (nur Benzinmodelle)	Trousse de support pour distributeur de perles (nécessaire pour le distributeur de perles) (modèles à essence uniquement)
537935	Ball hitch kit / Hitch bracket (required for LazyLiner™)	Kugelkupplung Kit / Zughalterung (erforderlich für LazyLiner™)	Trousse de la rotule d'attelage / Support d'attelage (nécessaire pour le LazyLiner™)
0290040H	LazyLiner™ Elite	LazyLiner™ Elite	LazyLiner™ Elite
0290041H	LazyLiner™ Pro	LazyLiner™ Pro	LazyLiner™ Pro
0290953A	HandiBead	HandiBead	HandiBead
290623	Spray Shield	Spray Shield	Spray Shield
290932	Stencil kit 1	Schablonenbausatz 1	Trousse de pochoir 1
290933	Stencil kit 2	Schablonenbausatz 2	Trousse de pochoir 2
290934	Stencil kit 3	Schablonenbausatz 3	Trousse de pochoir 3
341434	Pump component wrench	Schraubenschlüssel für Pumpenkomponenten	Clé pour composants de pompe
LUBRICANTS AND CLEANERS		SCHMIER- UND REINIGUNGSMITTEL	LUBRIFIANTS ET NETTOYANTS
314-482	Liquid Shield™, 1 Quart	Liquid Shield™, 1 Quart	Liquid Shield™, 946 ml
508071	Paint Mate, 1 Quart	Paint Mate, 1 Quart	Paint Mate, 946 ml

* Go to www.titantool.com for tip sizes / Besuchen Sie www.titantool.com für Spitzengrößen / visitez www.titantool.com pour la pointe des buse de pulvérisation

GB STRIPING TIPS

D STREIFENDÜSEN

F BUSES DE RAYAGE

Titan's line striping tips provide razor sharp line edges, consistent line width, and uniform film thickness. They also reduce wasted paint and increase striper profits.

Select tips by their orifice size and fan (line) width. Determine the desired fan (line) width for the job and then the orifice size that will supply the necessary amount of fluid for proper atomization. For light viscosity fluids, use smaller orifice tips. For heavier viscosity materials, larger orifice tips are preferred.

UNDERSTANDING STRIPING TIPS

Example A: With the same fan (line) width, a larger orifice applies a greater volume of paint to the area.

Example B: With the same orifice size positioned 6" above the surface, a larger fan (line) width means the same paint amount is being applied to a greater area.

Die Striping Tip Düsen von Titan bieten messerscharf gezogene Linienkanten, eine konstante Linienbreite und eine gleichmäßige Schichtdicke. Sie minimieren auch die Verschwendung von Farbe, wodurch die Gewinne der Straßenmarkierer maximiert werden.

Spitzen wählen Sie nach ihrer Düsengröße und Fächerbreite (Linie) aus. Bestimmen Sie die gewünschte Fächerbreite (Linie) für den Auftrag und dann die Düsengröße, die die erforderliche Flüssigkeitsmenge für eine ordnungsgemäße Zerstäubung ermöglicht. Verwenden Sie für Flüssigkeiten mit leichter Viskosität kleinere Düsen spitzen. Für Materialien mit schwererer Viskosität werden Spitzen mit größeren Öffnungen bevorzugt.

DÜSEN FÜR STRASSENMARKIERUNGEN VERSTEHEN

Beispiel A: Bei gleicher Fächerbreite (Linie) trägt eine größere Öffnung ein größeres Farbvolumen auf den Bereich auf.

Beispiel B: Bei einer gleichen Düsengröße, die 6" über der Oberfläche positioniert wird, bedeutet eine größere Fächerbreite (Linie), dass die gleiche Farbmenge auf eine größere Fläche aufgetragen wird.

Les buses de rayage de lignes de Titan offrent des bords de ligne à traçage très précis, une largeur de ligne constante et une épaisseur de couche uniforme. Elles réduisent également le gaspillage de peinture et augmentent les bénéfices des traceurs.

Sélectionnez les buses en fonction de la taille de leur orifice et de la largeur de répartition (ligne). Déterminez la largeur de répartition (ligne) souhaitée pour le travail, puis la taille de l'orifice qui fournira la quantité de fluide nécessaire pour une atomisation appropriée. Pour les fluides à faible viscosité, utilisez des buses à orifice plus petit. Pour les matériaux à viscosité plus élevée, il est préférable d'utiliser des buses à orifice plus grand.

COMPRENDRE LES ASTUCES DU RAYAGE

Exemple A : Avec la même largeur de répartition (ligne), un orifice plus grand applique un plus grand volume de peinture sur la zone.

Exemple B : Avec la même taille d'orifice positionnée à 15 cm au-dessus de la surface, une plus grande largeur de répartition (ligne) signifie que la même quantité de peinture est appliquée sur une plus grande surface.

EXAMPLE A • BEISPIEL A • EXEMPLE A			
Tip Number • Düsennummer • Numéro de buse	419	423	429
Orifice size • Düsengröße • Taille de l'orifice	.019	.023	.029
Fan (line) width • Fächerbreite (Linie) • Largeur de répartition (ligne)			
Film thickness • Schichtdicke • Épaisseur de couche	Least • am wenigsten • Le moins Most • am meisten • Le plus		

EXAMPLE B • BEISPIEL B • EXEMPLE B			
Tip Number • Düsennummer • Numéro de buse	219	419	619
Orifice size • Düsengröße • Taille de l'orifice	.019	.019	.019
Fan (line) width • Fächerbreite (Linie) • Largeur de répartition (ligne)			
Film thickness • Schichtdicke • Épaisseur de couche	Most • am meisten • Le plus Least • am wenigsten • Le moins		

RECOMMENDED TIP SIZES FOR COMMON APPLICATIONS

Orifice Size Range (inches)	Application	Gun Filter (mesh)	Pump Manifold Filter (mesh)
0.013" – 0.017"	Stencil and athletic field lines	Medium	Medium
0.017" – 0.035"	Standard traffic paints	Medium	Medium
0.025" – 0.043"	Self-propelled driver (med/high speed)	Coarse	Coarse
0.039" – 0.043"	Highly viscous traffic paints	Coarse	Coarse

NOTE: Consult with your coating's technical datasheet for filter and tip size suggestions.

EMPFOHLENE SPITZENGRÖSSEN FÜR GÄNGIGE ANWENDUNGEN

Größenbereich der Öffnung (Inches)	Anwendung	Pistolenfilter (Mesh)	Pumpenverteilerfilter (Mesh)
0,013" – 0,017"	Schablone und Sportfeldlinien	Mittel	Mittel
0,017" – 0,035"	Standardmäßige Verkehrsfarben	Mittel	Mittel
0,025" – 0,043"	Selbstfahrender Antrieb (mittlere/hohe Geschwindigkeit)	Grob	Grob
0,039" – 0,043"	Hochviskose Verkehrsfarben	Grob	Grob

HINWEIS: Informationen zu Filter- und Düsengrößenvorschlägen finden Sie im technischen Datenblatt Ihrer Beschichtung.

TAILLES DE BUSE RECOMMANDÉES POUR LES APPLICATIONS COURANTES

Plage de dimensions des orifices (pouces)	Application	Filtre de pistolet (maille)	Filtre de collecteur de pompe (maille)
0,013" – 0,017"	Pochoir et lignes de terrain de sport	Moyen	Moyen
0,017" – 0,035"	Peintures de signalisation sur route standard	Moyen	Moyen
0,025" – 0,043"	Dispositif automoteur (moyenne/haute vitesse)	Grossier	Grossier
0,039" – 0,043"	Peintures de signalisation sur route très visqueuses	Grossier	Grossier

REMARQUE : Consultez la fiche technique de votre revêtement pour des suggestions de taille de filtre et de buse.

GB STRIPING TIP CHART

D TABLEAU DE BUSE DE RAYAGE

F STREIFENDÜSENTABELLE

EASY-TO-UNDERSTAND TIP SIZES

- Part Number: 697 – XYY
- X = Width of stripe (inches) when sprayed 6" from surface
- YY = Orifice size in thousandths of an inch
- Example: 419 = 4" wide stripe with a 0.019" orifice

LEICHT VERSTÄNDLICHE DÜSENGRÖSSEN

- Artikelnummer: 697 – XYY
- X = Breite des Streifens (Inches) beim Aufsprühen auf die Oberfläche mit einem Abstand von 6"
- YY = Öffnungsgröße in Tausendstel Zoll
- Beispiel: 419 = 4" breiter Streifen mit einer 0,019" Öffnung

TAILLES DE BUSE FACILES À COMPRENDRE

- Numéro de pièce : 697 – XYY
- X = Largeur de la bande (centimètre) lorsque la pulvérisation est à 15 cm de la surface
- YY = taille de l'orifice en millièmes de centimètre
- Exemple : 419 = bande large de 4" avec un orifice de 0,019"

		ORIFICE SIZE (INCHES)									
FAN PATTERN WIDTH	INCHES	MM	0,013	0,015	0,017	0,019	0,021	0,023	0,025	0,027	
	2	51		215	217	219					
	4	102	413	415	417	419	421	423		427	
	6	152		615	617	619	621				
	8-10	203-254					821	823			
	Flow (GPM)			0.18	0.24	0.31	0.39	0.47	0.57	0.67	0.78
	Flow (LPM)			0.68	0.91	1.17	1.47	1.78	2.15	2.53	2.95

		ÖFFNUNGSGRÖSSE (INCHES)									
BREITE DES FÄCHERMUSTERS	INCHES	MM	0,013	0,015	0,017	0,019	0,021	0,023	0,025	0,027	
	2	51		215	217	219					
	4	102	413	415	417	419	421	423		427	
	6	152		615	617	619	621				
	8-10	203-254					821	823			
	Fluss (GPM)			0,18	0,24	0,31	0,39	0,47	0,57	0,67	0,78
	Fluss (LPM)			0,68	0,91	1,17	1,47	1,78	2,15	2,53	2,95

		TAILLE DE L'ORIFICE (POUCES)									
LARGEUR DE RÉPARTITION	POUCES	MM	0,013	0,015	0,017	0,019	0,021	0,023	0,025	0,027	
	2	51		215	217	219					
	4	102	413	415	417	419	421	423		427	
	6	152		615	617	619	621				
	8-10	203-254					821	823			
	Débit (GPM)			0,18	0,24	0,31	0,39	0,47	0,57	0,67	0,78
	Débit (LPM)			0,68	0,91	1,17	1,47	1,78	2,15	2,53	2,95

WARRANTY

Titan Tool, Inc., ("Titan") warrants that at the time of delivery to the original purchaser for use ("End User"), the equipment covered by this warranty is free from defects in material and workmanship. With the exception of any special, limited, or extended warranty published by Titan, Titan's obligation under this warranty is limited to replacing or repairing without charge those parts which, to Titan's reasonable satisfaction, are shown to be defective within twelve (12) months after sale to the End User. This warranty applies only when the unit is installed and operated in accordance with the recommendations and instructions of Titan.

This warranty does not apply in the case of damage or wear caused by abrasion, corrosion or misuse, negligence, accident, faulty installation, substitution of non-Titan component parts, or tampering with the unit in a manner to impair normal operation.

Defective parts are to be returned to an authorized Titan sales/service outlet. All transportation charges, including return to the factory, if necessary, are to be borne and prepaid by the End User. Repaired or replaced equipment will be returned to the End User transportation prepaid.

THERE IS NO OTHER EXPRESS WARRANTY. TITAN HEREBY DISCLAIMS ANY AND ALL IMPLIED WARRANTIES INCLUDING, BUT NOT LIMITED TO, THOSE OF MERCHANTABILITY AND FITNESS FOR A PARTICULAR PURPOSE, TO THE EXTENT PERMITTED BY LAW. THE DURATION OF ANY IMPLIED WARRANTIES WHICH CANNOT BE DISCLAIMED IS LIMITED TO THE TIME PERIOD SPECIFIED IN THE EXPRESS WARRANTY. IN NO CASE SHALL TITAN LIABILITY EXCEED THE AMOUNT OF THE PURCHASE PRICE. LIABILITY FOR CONSEQUENTIAL, INCIDENTAL OR SPECIAL DAMAGES UNDER ANY AND ALL WARRANTIES IS EXCLUDED TO THE EXTENT PERMITTED BY LAW.

TITAN MAKES NO WARRANTY AND DISCLAIMS ALL IMPLIED WARRANTIES OF MERCHANTABILITY AND FITNESS FOR A PARTICULAR PURPOSE WITH RESPECT TO ACCESSORIES, EQUIPMENT, MATERIALS OR COMPONENTS SOLD BUT NOT MANUFACTURED BY TITAN. THOSE ITEMS SOLD, BUT NOT MANUFACTURED BY TITAN (SUCH AS GAS ENGINES, SWITCHES, HOSES, ETC.) ARE SUBJECT TO THE WARRANTY, IF ANY, OF THEIR MANUFACTURER. TITAN WILL PROVIDE THE PURCHASER WITH REASONABLE ASSISTANCE IN MAKING ANY CLAIM FOR BREACH OF THESE WARRANTIES.

- GB -

Note on disposal:

In observance of the European Directive 2012/19/EU on waste electrical and electronic equipment and implementation in accordance with national law, this product is not to be disposed of together with household waste material but must be recycled in an environmentally friendly way!



Titan or one of our dealers will take back your used Titan waste electrical or electronic equipment and will dispose of it for you in an environmentally friendly way. Please ask your local Titan service centre or dealer for details or contact us direct.

EU Declaration of Conformity

We declare under sole responsibility that this product conforms to the following relevant stipulations:

2006/42/EC, 2011/65/EU

Applied harmonised norms:

EN ISO 12100:2010, EN 1953:2013

The EU declaration of conformity is enclosed with the product.

If required, it can be re-ordered using order number **2382311**.

GARANTIE

Titan Tool, Inc., („Titan“) garantiert, dass zum Zeitpunkt der Lieferung an den Käufer („Endverbraucher“) die Ausrüstung, die von dieser Garantie abgedeckt ist, frei von Material- und Fabrikationsfehler ist. Mit Ausnahme spezieller, eingeschränkter oder erweiterter Garantie, die Titan bekannt gegeben hat, ist die Gewährleistungsverpflichtung von Titan beschränkt auf den kostenlosen Austausch oder Nachbesserung für jene Teile, die, nachdem dies Titan nachvollziehbar nachgewiesen wurden, binnen zwölf (12) Monaten nach Verkauf an den Endverbraucher sich als fehlerhaft erweisen. Die Garantie greift nur, wenn das Gerät gemäß den Empfehlungen und Anweisungen von Titan installiert und bedient wurde.

Diese Garantie gilt nicht bei Beschädigung oder Abnutzung durch Abrieb, Korrosion oder unsachgemäße Benutzung, Unachtsamkeit, Unfall, unsachgemäße Installation, Verwendung von Ersatzteilen, die nicht von Titan stammen bzw. wenn Änderungen an dem Gerät vorgenommen wurden wodurch eine normale Benutzung beeinträchtigt wird

Defekte Teile müssen an den autorisierten Titan-Händler/ die autorisierte Titan-Niederlassung zurückgeschickt werden. Alle Transportkosten, einschließlich der Rücksendung an die Fabrik, falls erforderlich, sind vom Endverbraucher zu tragen und müssen im Voraus bezahlt werden. Repariertes oder ausgetauschtes Zubehör wird auf Kosten des Endverbrauchers nach Vorauszahlung der Transportkosten zurückgeschickt

ES GIBT SONST KEINE ANDERE MÄNGELGARANTIE. TITAN SCHLIESST HIERMIT ALLE UND JEDE STILLSCHWEIGENDE GARANTIE AUS, EINSCHLIESSLICH, JEDOCH NICHT BESCHRÄNKT AUF MARKTFÄHIGKEIT UND EIGNUNG FÜR EINEN BESTIMMTEN ZWECK, SOWEIT GESETZLICH ZULÄSSIG. DIE DAUER ALLER STILLSCHWEIGENDEN GARANTIEN, DIE NICHT AUSGESCHLOSSEN WERDEN KÖNNEN, SIND BESCHRÄNKT AUF DIE IN DER AUSDRÜCKLICHEN GARANTIE FESTGELEGTE DAUER. TITAN HAFTET IN KEINER WEISE ÜBER DEN KAUFPREIS HINAUS. DIE HAFTUNG FÜR FOLGESCHÄDEN, ZUFÄLLIGE SCHÄDEN ODER SPEZIELLE SCHÄDEN UNTER JEDER UND ALLEN GARANTIEN IST AUSGESCHLOSSEN SOWEIT GESETZLICH ZUGELASSEN.

TITAN ÜBERNIMMT KEINE GARANTIE UND SCHLIESST ALLE STILLSCHWEIGENDEN GARANTIEN AUF MARKTFÄHIGKEIT UND EIGNUNG FÜR EINEN BESTIMMTEN ZWECK BEZÜGLICH ZUBEHÖR, AUSRÜSTUNG, MATERIALIEN UND KOMPONENTEN AUS, DIE VON TITAN VERKAUFT, JEDOCH NICHT HERGESTELLT WURDEN. JENE VON TITAN VERKAUFTEN, JEDOCH NICHT VON TITAN HERGESTELLTEN KOMPONENTEN (WIE Z.B. GASMOTOREN, SCHALTER, SCHLÄUCHE, ETC.) UNTERLIEGEN DER GEWÄHRLEISTUNG DES JEWEILIGEN HERSTELLERS, SOFERN DIESE GEWÄHRT WERDEN. TITAN UNTERSTÜTZT DEN KÄUFER IN ANGEMESSENER WEISE, WENN ES UM ANSPRÜCHE WEGEN DER VERLETZUNG VON GEWÄHRLEITUNGEN GEHT.

- D -

Entsorgungshinweis:

Gemäß der europäischen Richtlinie 2012/19/EU zur Entsorgung von Elektro-Altgeräten, und deren Umsetzung in nationales Recht, ist dieses Produkt nicht über den Hausmüll zu entsorgen, sondern muss der umweltgerechten Wiederverwertung zugeführt werden!



Ihr Titan-Altgerät wird von uns, bzw. unseren Handelsvertretungen zurückgenommen und für Sie umweltgerecht entsorgt. Wenden Sie sich in diesem Fall an einen unserer Service-Stützpunkte, bzw. Handelsvertretungen oder direkt an uns.

EU Konformitätserklärung

Wir erklären in alleiniger Verantwortung, dass dieses Produkt den folgenden einschlägigen Bestimmungen entspricht: 2006/42/EC, 2011/65/EU

Angewandte harmonisierte Normen:
EN ISO 12100:2010, EN 1953:2013

Die CE-Konformitätsbescheinigung liegt dem Produkt bei.
Sie kann bei Bedarf mit der Bestellnummer **2382311** nachbestellt werden.

GARANTIE

Titan Tool, Inc. ("Titan") garantit qu'au moment de la livraison à l'acheteur initial ("Utilisateur"), l'appareil couvert par la présente garantie sera exempt de défauts de matériaux et de fabrication. Exception faite de toute garantie particulière ou limitée et de toute extension de garantie publiées par Titan, la responsabilité de celui-ci se limite, en vertu de la présente garantie, au remplacement ou à la réparation sans frais des pièces dont le caractère défectueux aura été démontré de manière satisfaisante pour Titan, dans un délai de douze (12) mois après la date d'achat par l'Utilisateur. Cette garantie ne sera applicable que si l'appareil a été installé et utilisé conformément aux recommandations et directives de Titan.

Cette garantie ne sera pas applicable dans les cas d'endommagement ou d'usure dus à l'abrasion, la corrosion, un mauvais usage, la négligence, un accident, une installation incorrecte, un remplacement par des composants non fournis par Titan ou toute autre intervention non autorisée de nature à nuire au fonctionnement normal de l'appareil.

Les pièces défectueuses devront être envoyées à un centre de service / vente Titan autorisé. Les frais de transport couvrant y compris le retour à l'usine, seront, le cas échéant, prépayés par l'Utilisateur. Après réparation ou remplacement, les pièces seront renvoyées à ce dernier par transport prépayé.

AUCUNE AUTRE GARANTIE EXPRESSE N'EST ACCORDÉE. TITAN REJETTE TOUTE AUTRE GARANTIE IMPLICITE Y COMPRIS, NOTAMMENT, LES GARANTIES DE QUALITÉ MARCHANDE ET DE COMPATIBILITÉ AVEC UN USAGE PARTICULIER, DANS LES LIMITES PERMISES PAR LA LOI.

LA DURÉE DES GARANTIES IMPLICITES NE POUVANT FAIRE L'OBJET D'UNE RENONCIATION SE LIMITE À LA PÉRIODE INDIQUÉE DANS LA GARANTIE EXPRESSE.

LA RESPONSABILITÉ DE TITAN NE SAURAIT EN AUCUN CAS ÊTRE ENGAGÉE POUR UN MONTANT SUPÉRIEUR À CELUI DU PRIX D'ACHAT. TITAN EXCLUT TOUTE RESPONSABILITÉ RELATIVE AUX DOMMAGES INDIRECTS, ACCESSOIRES OU PARTICULIERS, DANS LES LIMITES PRÉVUES PAR LA LOI.

TITAN NE DONNE AUCUNE GARANTIE ET DÉCLINE TOUTE GARANTIE IMPLICITE DE QUALITÉ MARCHANDE ET DE COMPATIBILITÉ AVEC UN USAGE PARTICULIER EN CE QUI CONCERNE LES ACCESSOIRES, L'APPAREIL, LES MATÉRIAUX OU LES COMPOSANTS VENDUS MAIS NON FABRIQUÉS PAR TITAN. CES DERNIERS ÉLÉMENTS, VENDUS MAIS NON FABRIQUÉS PAR TITAN (MOTEURS À ESSENCE, COMMUTATEURS, FLEXIBLES, ETC.), SONT SOUMIS, LE CAS ÉCHÉANT, À LA GARANTIE DU FABRICANT. TITAN S'ENGAGE À PORTER ASSISTANCE AUX ACHETEURS, DANS LES LIMITES DU RAISONNABLE, POUR LA CONSTITUTION DE RÉCLAMATIONS RELATIVES AU NON RESPECT DE CES GARANTIES.

- F -

Consignes d'élimination:

Selon la directive européenne 2012/19/UE sur l'élimination des vieux appareils électriques et sa conversion en droit national, ce produit ne peut pas être jeté dans les ordures ménagères, mais est à amener à un point de recyclage en vue d'une élimination dans le respect de l'environnement!



Titan, resp. nos représentations commerciales reprennent votre vieil appareil Titan pour l'éliminer dans le respect de l'environnement. Adressez-vous donc directement à nos points de service resp. représentations commerciales ou directement à nous.

Déclaration de Conformité UE

Nous déclarons sous notre responsabilité que ce produit est en conformité avec les réglementations suivantes: 2006/42/CE, 2011/65/UE

Conforme aux normes et documents normalisés:
EN ISO 12100:2010, EN 1953:2013

La déclaration de conformité UE est jointe à ce produit.

Elle peut être commandée au besoin sous le numéro de commande **2382311**.



TITAN[®]

POWRLINER[™]

3500 / 3500S

PERMASTROKE TECHNOLOGY[™]

Hydraulic Fluid Displacement Pump System Inside

UNITED STATES SALES & SERVICE

WEB: www.titantool.com

PHONE: 1-800-526-5362

1770 Fernbrook Lane

Minneapolis, MN 55447

INTERNATIONAL

WEB: www.titantool-international.com