



# TITAN®

## SERVICE MANUAL

# IMPACTX™ 440

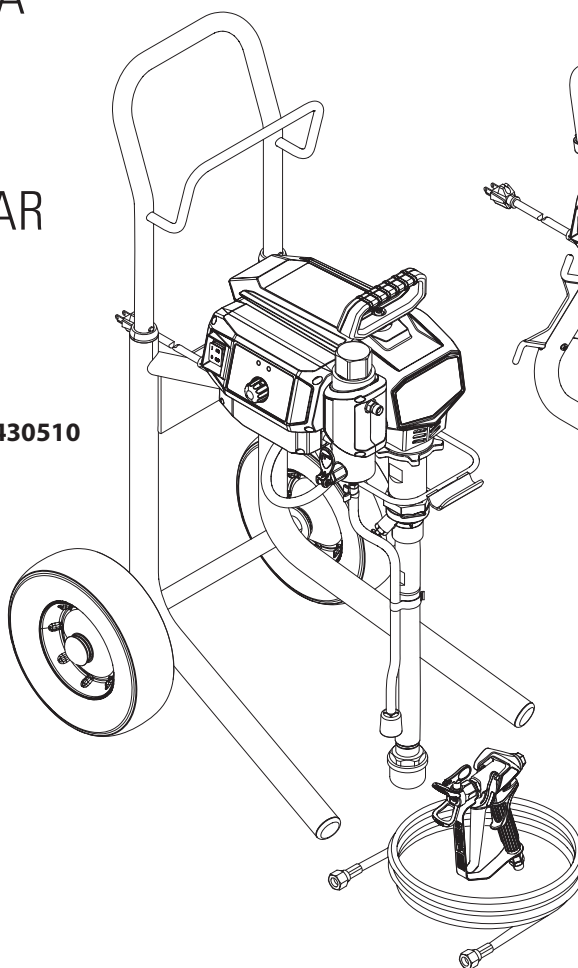
- EN -	SERVICE MANUAL	2
- F -	MANUEL D'ENTRETIEN	16
- ES -	MANUAL DE MANTENIMIENTO	30

AIRLESS, HIGH-PRESSURE  
SPRAYING UNIT

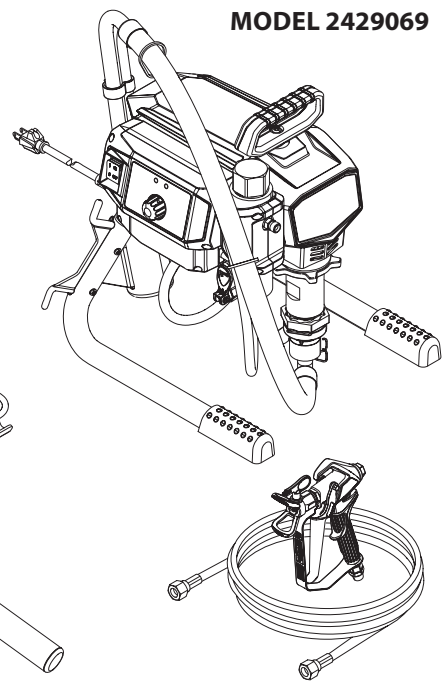
GROUPE DE PROJECTION À  
HAUTE PRESSION



AIRLESS EQUIPO DE ALTA  
PRESIÓN PARA PULVERIZAR

MODEL 2430510



MODEL 2429069



Configuration	Skid	High Rider
Name	440	440
Model #	2429069	2430510
<b>Specifications</b>		
Gallons per minute	0.54 (2.04 LPM)	0.54 (2.04 LPM)
Maximum tip sizes	0.023"	0.023"
Maximum pressure	3300 PSI (22.8 MPa)	3300 PSI (22.8 MPa)
Weight	30 lbs. (13.6 kg)	54 lbs. (24.5 kg)
Maximum hose length	300'	300'
Power	1.20 HP Brushless motor, 120 V, 60 Hz, 11.8 A	1.20 HP Brushless motor, 120 V, 60 Hz, 11.8 A
Generator requirement	5000 Watt (disable idle-down feature)	5000 Watt (disable idle-down feature)
<b>Included accessories</b>		
Spray gun	RX-80	RX-80
Spray tip	HEA 517 (P/N 330-517)	HEA 517 (P/N 330-517)
Piston Lube (4 oz).	P/N 314-481	P/N 314-481
Spray hose	50' (15 m) P/N 316-505	50' (15 m) P/N 316-505
Spray manifold filter	60 mesh, P/N 2424933	60 mesh, P/N 2424933
<b>Literature</b>		
Operation manual (Form No. 2431944)	English / French / Spanish included with product and available online at <a href="http://www.titantool.com">www.titantool.com</a>	English / French / Spanish included with product and available online at <a href="http://www.titantool.com">www.titantool.com</a>
Service manual (Form No. 2431945)	English / French / Spanish available online at <a href="http://www.titantool.com">www.titantool.com</a>	English / French / Spanish available online at <a href="http://www.titantool.com">www.titantool.com</a>
RX-80 manual (Form No. 0538800)	All languages included with product and available online at <a href="http://www.titantool.com">www.titantool.com</a>	All languages included with product and available online at <a href="http://www.titantool.com">www.titantool.com</a>
<b>Compliance</b>		
	Conforms to UL STD 1450 Certified to CAN/CSA STD C22.2 No. 68	Conforms to UL STD 1450 Certified to CAN/CSA STD C22.2 No. 68
	<b>WARNING! CALIFORNIA PROPOSITION 65 WARNING</b> This product can expose you to chemicals including lead, which are known to the State of California to cause cancer, birth defects, or other reproductive harm. For more information go to <a href="http://www.P65warnings.ca.gov">www.P65warnings.ca.gov</a> .	

<b>1</b>	<b>SAFETY REGULATIONS FOR AIRLESS</b>	
	<b>SPRAYING</b>	<b>4</b>
1.1	Explanation of symbols used	4
1.2	Grounding instructions	4
1.3	Important electrical information	4
1.4	Safety hazards	5
<b>2</b>	<b>MAINTENANCE</b>	<b>6</b>
2.1	Pressure relief procedure	6
2.2	General repair and service notes	7
2.3	Replacing the motor	7
2.4	Replacing the gears	8
2.5	Replacing the transducer	9
2.6	Replacing the PRIME/SPRAY valve	9
2.7	Servicing the fluid section	10
2.7.1	Replacing the fluid section	10
2.7.2	Servicing the valves	11
2.7.3	Repacking the fluid section	12
2.8	Replacing the filters	13
2.9	Lubricate the eccentric assembly	13
2.10	Replacing the control board	14
<b>3</b>	<b>TROUBLESHOOTING</b>	<b>15</b>
3.1	Error messages	16
	<b>WARRANTY</b>	<b>17</b>
	<b>SPARE PARTS LISTS</b>	<b>50</b>
	Main Assembly	50
	Siphon Assembly	52
	Drive Assembly	54
	Fluid Section Assembly	56
	High Rider Assembly	58
	Filter Assembly	60
	Electrical Schematic	61
	<b>ACCESSORIES</b>	<b>62</b>

# 1 SAFETY REGULATIONS FOR AIRLESS SPRAYING

## 1.1 EXPLANATION OF SYMBOLS USED

This manual contains information that must be read and understood before using the equipment. When you come to an area that has one of the following symbols, pay particular attention and make certain to heed the safeguard.



→ This symbol indicates a potential hazard that may cause serious injury or loss of life. Important safety information will follow.



Attention

→ This symbol indicates a potential hazard to you or to the equipment. Important information that tells how to prevent damage to the equipment or how to avoid causes of minor injuries will follow.



→ Danger of skin injection



→ Danger of fire from solvent and paint fumes



→ Danger of explosion from solvent, paint fumes and incompatible materials



→ Danger of injury from inhalation of harmful vapors



→ Danger of electric shock



→ Notes give important information which should be given special attention.

## 1.2 GROUNDING INSTRUCTIONS

This product must be grounded. In the event of an electrical short circuit, grounding reduces the risk of electric shock by providing an escape wire for the electric current. This product is equipped with a cord having a grounding wire with an appropriate grounding plug. The plug must be plugged into an outlet that is properly installed and grounded in accordance with all local codes and ordinances.

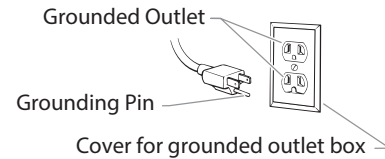


**WARNING - Improper installation of the grounding plug can result in a risk of electric shock.**

If repair or replacement of the cord or plug is necessary, do not connect the green grounding wire to either flat blade terminal. The wire with insulation having a green outer surface with or without yellow stripes is the grounding wire and must be connected to the grounding pin.

Check with a qualified electrician or serviceman if the grounding instructions are not completely understood, or if you are in doubt as to whether the product is properly grounded. Do not modify the plug provided. If the plug will not fit the outlet, have the proper outlet installed by a qualified electrician.

This product is for use on a nominal 120 volt circuit and has a grounding plug that looks like the plug illustrated below. Make sure that the product is connected to an outlet having the same configuration as the plug. No adapter should be used with this product.



## 1.3 IMPORTANT ELECTRICAL INFORMATION

Use only a 3-wire extension cord that has a 3-blade grounding plug and a 3-slot receptacle that will accept the plug on the product. Make sure your extension cord is in good condition. When using an extension cord, be sure to use one heavy enough to carry the current your product will draw.

An undersized cord will cause a drop in line voltage resulting in loss of power and overheating. A 14 or 12 gauge cord is recommended (see chart). If an extension cord is to be used outdoors, it must be marked with the suffix W-A after the cord type designation. For example, a designation of SJTW-A would indicate that the cord would be appropriate for outdoor use.

Cord Gauge	Maximum Cord Length
12	150 feet
14	100 feet

## 1.4 SAFETY HAZARDS



### WARNING: INJECTION INJURY

A high pressure stream produced by this equipment can pierce the skin and underlying tissues, leading to serious injury and possible amputation.

Do not treat a spraying injury as a harmless cut. In case of injury to the skin through coating materials or solvents, consult a doctor immediately for quick and expert treatment. Inform the doctor about the coating material or solvent used.

### PREVENTION:

- Do not aim the gun at, or spray, any person or animal.
- Keep hands and other body parts away from the discharge. For example, do not try to stop leaks with any part of the body.
- NEVER put your hand in front of the gun. Gloves will not provide protection against an injection injury.
- ALWAYS keep the tip guard in place while spraying. The tip guard provides some protection but is mainly a warning device.
- Only use a nozzle tip specified by the manufacturer.
- Use caution when cleaning and changing nozzle tips. In the case where the nozzle tip clogs while spraying, ALWAYS lock gun trigger, shut pump off, and release all pressure before servicing, cleaning tip or guard, or changing tip. Pressure will not be released

by turning off the motor. The PRIME/SPRAY valve or pressure bleed valve must be turned to their appropriate positions to relieve system pressure. Refer to PRESSURE RELIEF PROCEDURE described in the pump manual.

- Do not leave the unit energized or under pressure while unattended. When the unit is not in use, turn off the unit and relieve the pressure in accordance with the manufacturer's instructions.
- High-pressure spray is able to inject toxins into the body and cause serious bodily injury. In the event that injection occurs, seek medical attention immediately.
- Check hoses and parts for signs of damage, a leak can inject material into the skin. Inspect hose before each use. Replace any damaged hoses or parts. Only use TITAN original-high-pressure hoses in order to ensure functionality, safety and durability.
- This system is capable of producing 3300 PSI / 228 Bar. Only use replacement parts or accessories that are specified by the manufacturer and that are rated a minimum of 3300 PSI. This includes spray tips, nozzle guards, guns, extensions, fittings, and hoses.
- Always engage the trigger lock when not spraying. Verify the trigger lock is functioning properly.
- Verify that all connections are secure before operating the unit.
- Know how to stop the unit and bleed pressure quickly. Be thoroughly familiar with the controls. Pressure will not be released by turning off the motor. The PRIME/SPRAY valve or pressure bleed valve must be turned to their appropriate positions to relieve system pressure. Refer to PRESSURE RELIEF PROCEDURE described in the pump manual.
- Always remove the spray tip before flushing or cleaning the system.



**NOTE TO PHYSICIAN: Injection into the skin is a traumatic injury which can lead to possible amputation. It is important to treat the injury as soon as possible. DO NOT delay treatment to research toxicity. Toxicity is a concern with some coatings injected directly into the blood stream. Consultation with a plastic surgeon or reconstructive hand surgeon may be advisable.**



### WARNING: EXPLOSION OR FIRE

Flammable vapors, such as solvent and paint vapors, in work area can ignite or explode.

#### PREVENTION:

- Do not spray flammable or combustible materials near an open flame, pilot lights or sources of ignition such as hot objects, cigarettes, motors, electrical equipment and electrical appliances. Avoid creating sparks from connecting and disconnecting power cords.
- Use extreme caution when using materials with a flashpoint below 100°F (38°C). Flashpoint is the temperature that a fluid can produce enough vapors to ignite.
- Paint or solvent flowing through the equipment is able to result in static electricity. Static electricity creates a risk of fire or explosion in the presence of paint or solvent fumes. All parts of the spray system, including the pump, hose assembly, spray gun and

objects in and around the spray area shall be properly grounded to protect against static discharge and sparks. Use only conductive or grounded high-pressure airless paint sprayer hoses specified by the manufacturer.

- Verify that all containers and collection systems are grounded to prevent static discharge.
- Do not use a paint or solvent containing halogenated hydrocarbons, such as chlorine, bleach, mildewcide, methylene chloride and trichloroethane. They are not compatible with aluminum. Contact the coating supplier about compatibility of material with aluminum.
- Keep spray area well ventilated. Keep a good supply of fresh air moving through the area to keep the air within the spray area free from accumulation of flammable vapors. Keep pump assembly in well ventilated area. Do not spray pump assembly.
- Do not smoke in the spray area.
- Do not operate light switches, engines, or similar spark producing products in the spray area.
- Keep area clean and free of paint or solvent containers, rags, and other flammable materials.
- Know the contents of the paint and solvents being sprayed. Read all material Safety Data Sheets (SDS) and container labels provided with the paints and solvents. Follow the paint and solvent manufacture's safety instructions.
- Place pump at least 20 feet (6.1 meters) from the spray object in a well ventilated area (add more hose if necessary). Flammable vapors are often heavier than air. Floor area must be extremely well ventilated. The pump contains arcing parts that emit sparks and can ignite vapors.
- Plastic can cause static sparks. Never hang plastic to enclose spray area. Do not use plastic drop cloths when spraying flammable material.
- Fire extinguisher equipment shall be present and working.



### WARNING: HIGH PRESSURE HOSE

The paint hose can develop leaks from wear, kinking and abuse. A leak can inject material into the skin. Inspect the hose before each use.

#### PREVENTION:

- Avoid sharp bending or kinking of the high-pressure hose. The smallest bending radius amounts to about 8" (20 cm).
- Do not drive over the high-pressure hose. Protect against sharp objects and edges.
- Replace any damaged high-pressure hose immediately.
- Never attempt to repair damaged high-pressure hoses yourself!
- Electrostatic charging of spray guns and the high-pressure hose is discharged through the high-pressure hose. For this reason the electric resistance between the connections of the high-pressure hose must be equal to or lower than 1MΩ.
- For reasons of function, safety and durability use only original Titan high-pressure hoses.
- Before each use, check all hoses for cuts, leaks, abrasion or bulging of cover. Check for damage or movement of couplings. Immediately replace the hose if any of these conditions exist. Never repair a paint hose. Replace it with another earthed high-pressure hose.
- Make sure power cord, air hose and spray hoses are routed in such a manner to minimize slip, trip and fall hazard.



### WARNING: HAZARDOUS VAPORS

Paints, solvents, and other materials can be harmful if inhaled or come in contact with body. Vapors can cause severe nausea, fainting, or poisoning.

#### PREVENTION:

- Wear respiratory protection when spraying. Read all instructions supplied with the mask to be sure it will provide the necessary protection.
- All local regulations regarding protection against hazardous vapors must be observed.
- Wear protective eyewear.
- Protective clothing, gloves and possibly skin protection cream are necessary for the protection of the skin. Observe the regulations of the manufacturer concerning coating materials, solvents and cleaning agents in preparation, processing and cleaning units.



### WARNING: GENERAL

This product can cause severe injury or property damage.

#### PREVENTION:

- Always wear appropriate gloves, eye protection, clothing and a respirator or mask when painting.
- Do not operate or spray near children. Keep children away from equipment at all times.
- Do not overreach or stand on an unstable support. Keep effective footing and balance at all times.
- Stay alert and watch what you are doing.
- Do not operate the unit when fatigued or under the influence of drugs or alcohol.
- Do not kink or over-bend the hose. Airless hose can develop leaks from wear, kinking and abuse. A leak can inject material into the skin.
- Do not expose the hose to temperatures or pressures in excess of those specified by manufacturer.
- Do not use the hose as a strength member to pull or lift the equipment.
- Use lowest possible pressure to flush equipment.
- Follow all appropriate local, state and national codes governing ventilation, fire prevention and operation.
- The United States Government Safety Standards have been adopted under the Occupational Safety and Health Act (OSHA). These standards, particularly part 1910 of the General Standards and part 1926 of the Construction Standards should be consulted.
- Before each use, check all hoses for cuts, leaks, abrasion or bulging of cover. Check for damage or movement of couplings. Immediately replace hose if any of those conditions exist. Never repair a paint hose. Replace with a conductive high-pressure hose.
- Do not spray outdoors on windy days.
- Always unplug cord from outlet before working on equipment (electric models only).

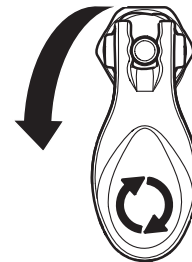
## 2 MAINTENANCE

### 2.1 PRESSURE RELIEF PROCEDURE

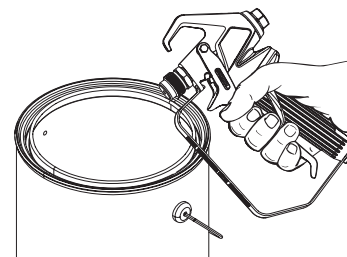


**Be sure to follow the Pressure Relief Procedure when shutting down the sprayer for any purpose, including servicing or adjusting any part of the spray system, changing or cleaning spray tips, or preparing for cleanup.**

1. Lock the gun by pushing the gun trigger lock to the locked position.
2. Turn off the sprayer by moving the ON/OFF switch to the OFF position.
3. Make sure the pressure control knob is turned fully counterclockwise to its lowest pressure setting.
4. Move the PRIME/SPRAY valve to the PRIME position.



5. Unlock the gun by pushing the gun trigger lock to the unlocked position.
6. Hold the metal part of the gun firmly to the side of a metal container to ground the gun and avoid a build up of static electricity.



7. Trigger the gun to remove any pressure that may still be in the hose.
8. Lock the gun by pushing the gun trigger lock to the locked position.

## 2.2 GENERAL REPAIR AND SERVICE NOTES

The following tools are needed when repairing this sprayer:

Needle Nose Pliers	7/16" open end wrench
Adjustable Wrench	11/16" open end wrench
Rubber Mallet	3/4" open end wrench
T15 driver	13/16" open end wrench
T30 driver	1/4" nut driver
T40 driver	

1. Before repairing any part of the sprayer, read the instructions carefully, including all warnings.



**Never pull on a wire to disconnect it. Pulling on a wire could loosen the connector from the wire.**

2. Test your repair before regular operation of the sprayer to be sure that the problem is corrected. If the sprayer does not operate properly, review the repair procedure to determine if everything was done correctly. Refer to the Troubleshooting Charts to help identify other possible problems.
3. Make certain that the service area is well ventilated in case solvents are used during cleaning. Always wear protective eyewear while servicing. Additional protective equipment may be required depending on the type of cleaning solvent. Always contact the supplier of solvents for recommendations.
4. If you have any further questions concerning your Titan Airless Sprayer, call Titan:

Technical Service (U.S.)..... **1-800-526-5362**

## 2.3 REPLACING THE MOTOR

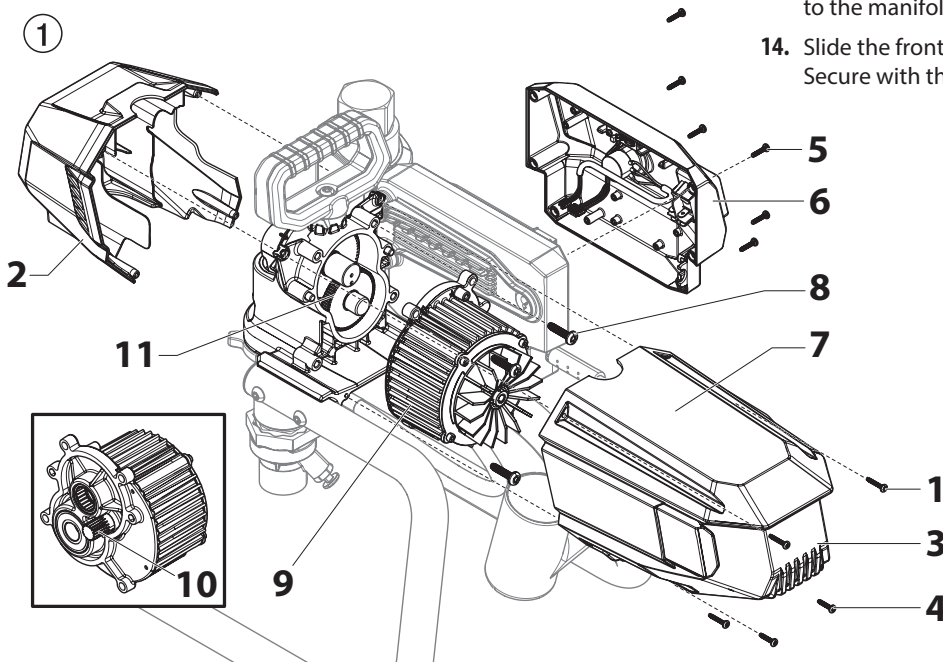
1. Perform the Pressure Relief Procedure and unplug the sprayer.
2. Loosen and remove the four screws (Fig. 1, item 1) that secure the front cover (2) to the motor cover (3). Remove the front cover.
3. Loosen and remove the two screws (4) that secure the motor cover to the main housing. Remove the motor cover (3).
4. Remove the six control panel mounting screws (5). Pull back the control panel (6) for access to the control panel board.
5. At the control panel board, disconnect the two wire assemblies coming from the motor (refer to the electrical schematic in the Parts List section of this manual, page 61).
6. Loosen and remove the four motor mounting screws (8). Use a T30 driver.
7. Pull the motor (9) out of the pump housing.



**If the motor will not dislodge from the pump housing:**

- **Using a rubber mallet, carefully tap on the front of the motor crankshaft that extends through the slider assembly.**

8. With the motor removed, inspect the gears in the pump housing (11) for damage or excessive wear. Replace the gears, if necessary (See Replacing the Gears, page 8). Apply grease to the bearings and piston gear.
9. Install the new motor (9) into the pump housing.
10. Secure the motor (9) with the four motor mounting screws (8). Torque to 100-110 in.-lbs.
11. Reconnect the wires (refer to the electrical schematic in the Parts List section of this manual, page 61). Apply Dielectric Grease to the connections.
12. Position the control panel (6) on the pump housing and secure in position using the six control panel mounting screws (5).
13. Slide the motor cover (3) over the motor. Secure the motor cover to the manifold with the two motor cover screws (4).
14. Slide the front cover (2) into place over the front of the manifold. Secure with the four (1) front cover screws.



## 2.4 REPLACING THE GEARS

1. Perform the Pressure Relief Procedure and unplug the sprayer.
2. Loosen and remove the four screws (Fig. 2, item 1) that secure the front cover (2) to the motor cover (3). Remove the front cover.
3. Loosen and remove the two screws (4) that secure the motor cover to the main housing. Remove the motor cover (3).
4. Remove the six control panel mounting screws (5). Pull back the control panel (6) for access to the control panel board.
5. At the control panel board, disconnect the two wire assemblies coming from the motor (refer to the electrical schematic in the Parts List section of this manual, page 61).
6. Loosen and remove the four motor mounting screws (8). Use a T30 driver.
7. Pull the motor (9) out of the pump housing.
8. Inspect the armature gear (10) on the end of the motor for damage or excessive wear. If this gear is completely worn out, replace the entire motor.
9. Remove and inspect the 2nd stage gear (11) for damage or excessive wear. Replace if necessary.
10. Remove and inspect the gear and crank assembly (12) for damage or excessive wear. Replace if necessary.
11. Reassemble the pump by reversing the above steps. During reassembly, make sure the thrust washer (13) is in place.



**Refill the gear box in the pump housing with five ounces of Lubriplate GR-132.**



**If the motor will not dislodge from the pump housing:**

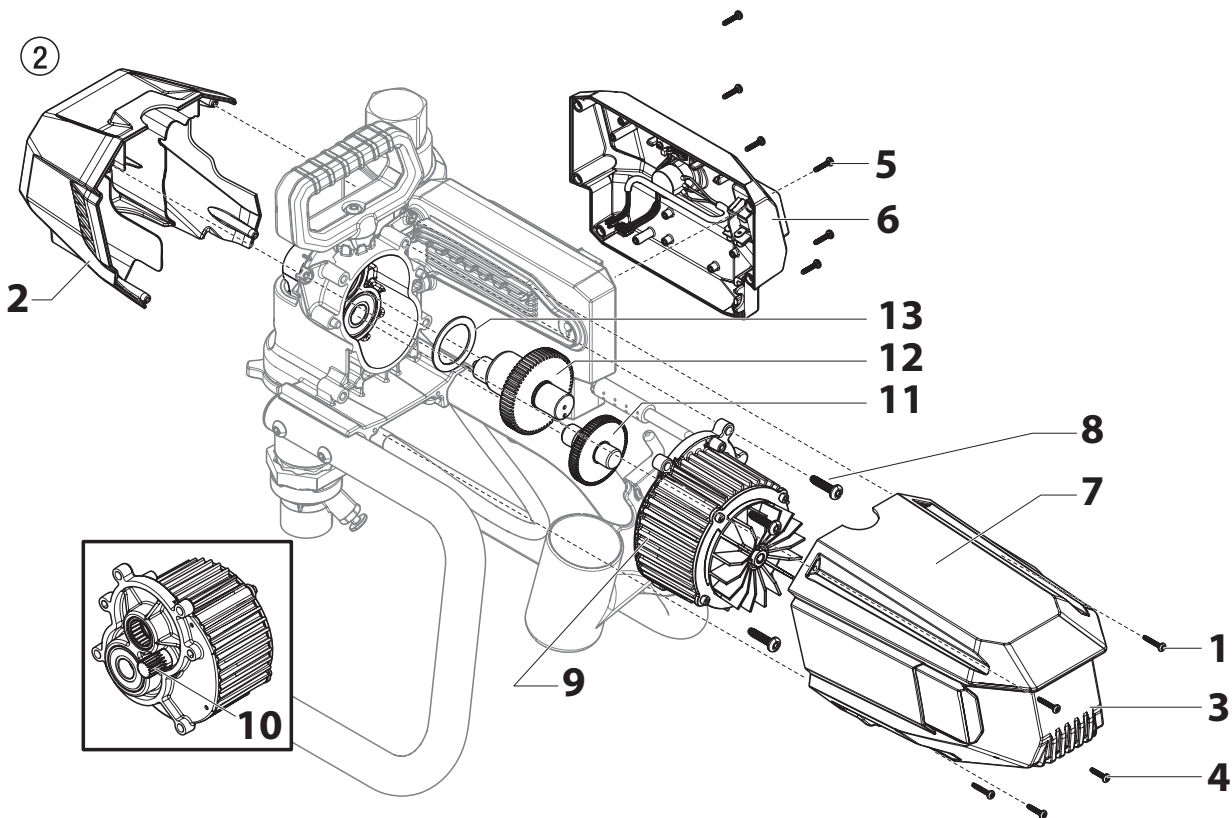
- **Using a rubber mallet, carefully tap on the front of the motor crankshaft that extends through the slider assembly.**



**Before replacing any gears, apply grease to the new gears and bearings.**

**Use Lubriplate GR-132 for the gears.**

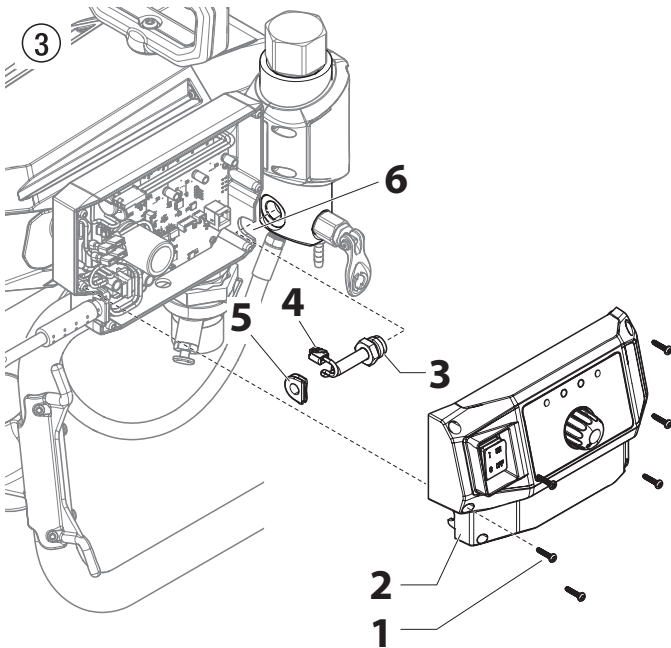
**Use Lubriplate 1242 for the bearings and bushings.**





## 2.5 REPLACING THE TRANSDUCER

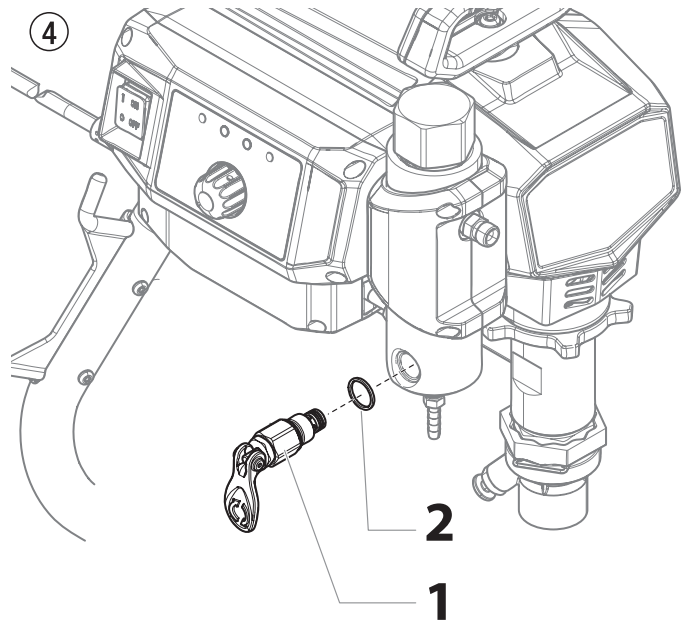
1. Using a T15 driver, remove the six control panel mounting screws (Fig. 3, item 1). Pull back the control panel cover (2) for access to the control panel board.
2. The transducer (3) should now be visible. Unplug the transducer wire (4) from the control board.
3. Using a 3/4" wrench, remove the transducer assembly from the filter block.
4. Apply grease to the threads and O-ring of the new transducer prior to installation.
5. Thread the new transducer assembly (3) into the filter block. Tighten with a wrench (torque to 300-360 in-lbs.). Make sure to reinstall the grommet (5) into the control board housing slot (6) with the rounded edge installed into the slot.
6. Apply Dielectric Grease to the plug on the new transducer wire (4). Plug the new transducer wire (4) into the control board.
7. Using a T15 driver, replace the control panel cover (2) and secure with the six control panel mounting screws (1). Torque to 15 in.-lbs in a criss-cross pattern.



## 2.6 REPLACING THE PRIME/SPRAY VALVE

Perform the following procedure using PRIME/SPRAY valve replacement kit P/N 700-258

1. Using a wrench, loosen and remove the valve housing assembly (Fig. 4, item 1).
2. Apply grease to the threads of the new PRIME/SPRAY valve prior to installation.
3. Make sure the gasket (2) is in place and thread the new valve housing assembly into the pump block. Torque to 25 ft.-lbs.



## 2.7 SERVICING THE FLUID SECTION



Perform the following steps before performing any maintenance on the fluid section.



Before proceeding, follow the Pressure Relief Procedure outlined previously in this manual. Additionally, follow all other warnings to reduce the risk of an injection injury, injury from moving parts or electric shock. Always unplug the sprayer before servicing!

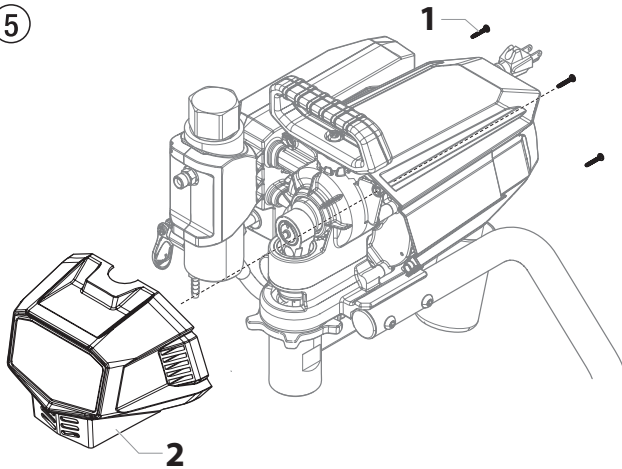
1. Loosen and remove the four screws (Fig. 5, item 1) that secure the front cover (2) to the motor cover (3). Remove the front cover.



**Pinch Hazard.** Make sure to keep fingers clear from any of the moving parts inside the pump once the cover is removed.

2. Thoroughly clean any dried spray material that may have formed on the front cover.

5



3. Make sure the pump is turned ON (I) and the pressure control knob is set to low pressure.
4. Engage the pump's **Creep Mode** (the following steps A-B must be completed in quick succession). This will make it easier to place the eccentric and piston into its lowest position, which is needed for servicing the fluid section.
  - A In quick succession, with the pressure control knob set to low pressure, turn the pressure control knob to high pressure two (2) times, ending in low pressure.  
(e.g. start at Low => up to High => back to Low => up to High => back to Low)
  - B Slowly turn the pressure control knob clockwise until you can see and hear that the piston is moving very slowly.
5. When the piston gets to the bottom dead center position, turn the pressure control knob fully counterclockwise to low pressure until the piston stops moving.
6. Turn the power switch OFF (0) and unplug the sprayer.

7. Skid units - Remove the retaining clip from the bottom of the pusher stem housing. Remove the siphon assembly.

For High Rider units the siphon tube can remain threaded into the pusher stem housing.

8. Tilt the sprayer back for easy access to the fluid section.

### 2.7.1 REPLACING THE FLUID SECTION

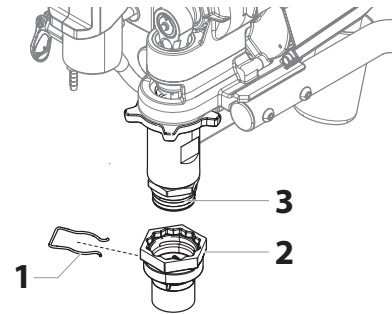


The fluid section can be removed in one unit and replaced. Follow the steps below ONLY if you plan to replace the entire fluid section.

For any type of servicing to the components of the fluid section, see sections 2.7.2 and 2.7.3.

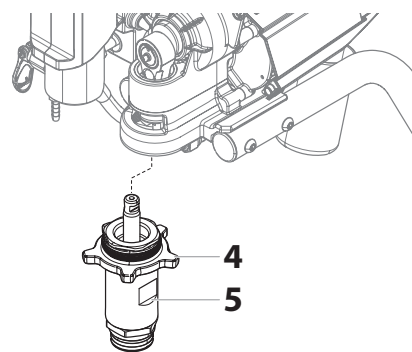
1. Make sure to complete the steps above in section 2.7.
2. Remove the hose from the rear of the fluid section cylinder.
3. Remove the pusher stem clip (Fig. 6, item 1) and slide the pusher stem housing (2) from the foot valve housing (3).

6



4. Loosen the lock nut (Fig. 7, item 4) from the pump housing to release the entire fluid section (5). Tap the lock nut with a mallet in order to loosen.
5. Slide the fluid section forward to until the piston rod is out of the T-slot on the slider assembly and remove the entire fluid section assembly (5).

7



6. Install the new fluid section by reversing the steps above.

### 2.7.2 SERVICING THE VALVES

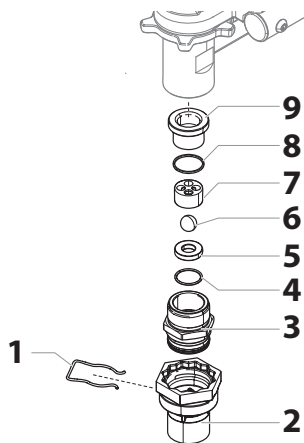


The design of the fluid section allows access to the foot valve and seat as well as the outlet valve and seat without completely disassembling the fluid section.

It is possible that the valves may not seat properly because of debris stuck in the foot valve seat or outlet valve seat. Use the following instructions to clean the valves and reverse or replace the seats.

1. Remove the pusher stem clip (Fig. 8, item 1) and slide the pusher stem housing (2) from the foot valve housing (3).
2. Using a wrench, loosen and remove the foot valve housing (3) from the cylinder.

8

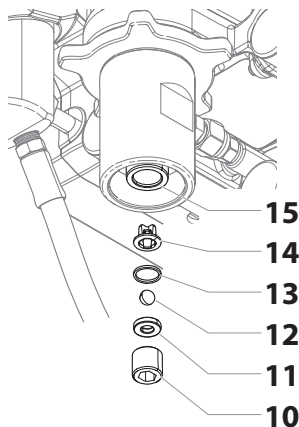


3. Clean out any debris in the foot valve housing (3) and examine the valve housing and seat (5). If the seat is damaged, reverse or replace the seat.
4. Using a 5/16" hex wrench, loosen and remove the outlet valve retainer (Fig. 9, item 10) from the piston (15).



Always service the outlet valve with the piston attached to the pump. This will prevent the piston from rotating during disassembly of the outlet valve.

9



5. Clean out any debris and examine the outlet valve retainer (10) and seat (11). If the seat is damaged, reverse or replace the seat.
6. Remove, clean, and inspect the outlet cage (14), crush washer (13), and outlet valve ball (12). Replace if they are worn or damaged.



The outlet cage always must be used with the crush washer. They are included together in the repacking kit as assembly P/N 704-642.

7. Reassemble the valves by reversing the steps above..



During reassembly of the outlet valve, apply one drop of Loctite (included in the repacking kit) to the threads of the outlet valve retainer (10) before threading it into the piston rod (15). Then, torque the retainer to 144 in./lbs. (12 ft./lbs.).



Use the T-slot on the slider assembly to hold the piston in position while securing the outlet valve retainer.



Never use a wrench on the piston itself. This could cause damage to the piston and cause leakage.

Attention

### 2.7.3 REPACKING THE FLUID SECTION

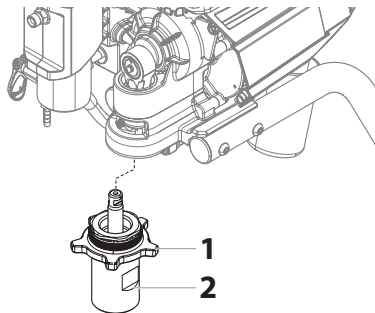
1. Remove the foot valve assembly using the steps in the "Servicing the Valves" procedure (Section 2.7.2).



**The outlet valve does not need to be disassembled from the piston for this procedure.**

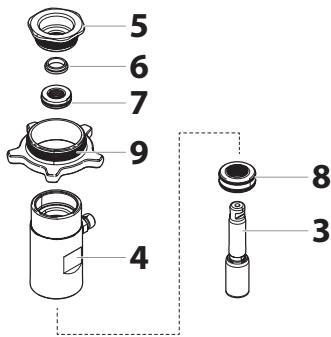
2. Using an 11/16" wrench, remove the hose from the back of the fluid section.
3. Loosen the lock nut (Fig. 10, item 1) from the pump housing to release the entire fluid section. Tap the lock nut with a mallet in order to loosen.
4. Slide the fluid section forward until the piston is out of the T-slot on the slider assembly and remove the entire fluid section assembly (2).

10



5. Slide the piston (3) out through the bottom of the cylinder (4).
6. Using a vice on the flats of the cylinder (Fig. 9, item 4), loosen and remove the upper packing retaining nut (5) and piston guide (6).
7. Remove the upper (7) and lower packings (8) from the cylinder (4).

11



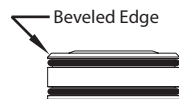
8. Clean the cylinder and install the new upper and lower packings. Refer to the Fig. 12 below for proper packing orientation.

12

Install upper packing with raised lip and O-ring facing down.



Install lower packing with the beveled edge facing up.



9. Inspect the piston rod for wear and replace if necessary.

10. Place the lock nut (Fig. 11, item 9) over the cylinder (4).
11. Insert the piston guide (6) into the retainer nut (5). Thread the retainer nut (5) into the cylinder until it is hand tight.
12. Slide the piston guide tool (included in the repacking kit) over the top of the piston (3) and insert the piston through the bottom of the cylinder. Using a rubber mallet, tap the bottom of the piston (3) lightly until the piston is in position in the cylinder.



**Coat the piston guide tool and the piston with grease before inserting them into the cylinder.**

13. Using a wrench, tighten the retainer nut (5) securely. Torque to 300 in.-lbs.
14. Slide the top of the piston into the T-slot on the slider assembly.
15. Thread the lock nut (9) up into the pump assembly to secure the fluid section to the pump. Tap with a mallet to lock into place.
16. Reassemble the foot valve assembly into the cylinder. Torque to 300 in.-lbs.
17. Apply grease to the O-ring on the foot valve and replace the pusher valve assembly. Secure with the clip. The pusher valve assembly should face the rear of the pump at a diagonal angle.
18. For Skid units, insert the elbow on the siphon assembly into the bottom of the foot valve housing. Push the retaining clip up into the groove inside the foot valve housing to secure the siphon assembly in position. Thread the return hose into the pump block and tighten securely.
19. Place the front cover on the pump housing and secure in position using the four front cover screws.
20. Turn on the sprayer by following the procedure in the "Operation" section of this manual and check for leaks.



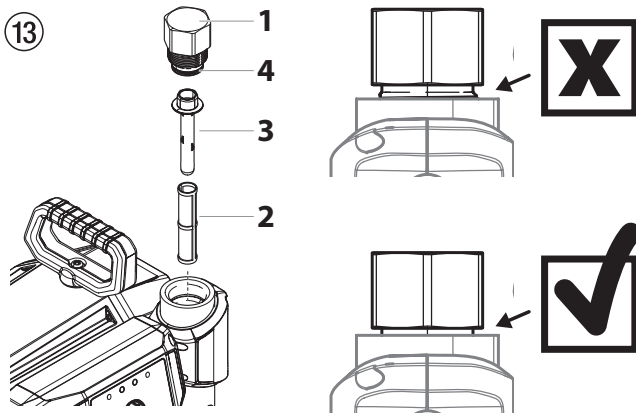
**Repacking kit P/N 704-586 is available. For best results use all parts supplied in this kit.**

## 2.8 REPLACING THE FILTERS

### PUMP FILTER

1. Loosen and remove the filter cap (Fig. 13, item 1).
2. Slip the filter (2) off of the filter core (3).
3. Inspect the filter (2). Based on inspection, clean or replace the filter (2).
4. Inspect the seal (4). Based on inspection, clean, lubricate with oil, or replace the seal. If replacing the seal, lubricate the new seal with oil.
5. Slide the new or cleaned filter over the filter core (3).
6. Thread filter cap (1) back onto filter housing and tighten until cap bottoms out.

**i** Make sure the filter cap is seated fully into the pump block. Some resistance should be felt at first but keep tightening for approximately 1.5 more turns until the cap bottoms out.



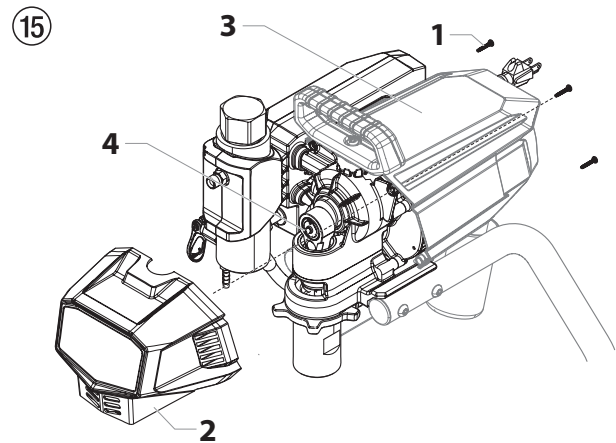
For more detail, part number information, and complete assembly drawings, please see the RX-80 Airless Gun Owner's Manual.

## 2.9 LUBRICATING THE ECCENTRIC ASSEMBLY



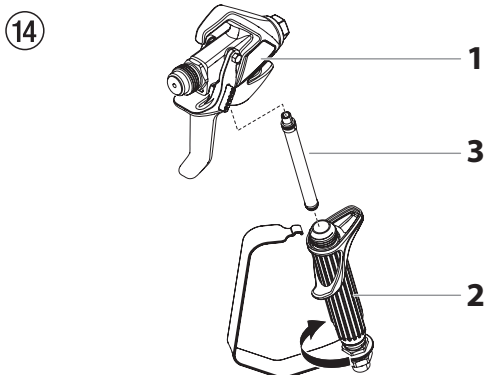
Perform these steps approximately every six months.

1. Loosen and remove the four screws (Fig. 15, item 1) that secure the front cover (2) to the motor cover (3). Remove the front cover.
2. Thoroughly clean any dried spray material that may have formed on the front cover.
3. Place a grease gun over the grease fitting on the eccentric gear (4) and apply grease until it starts to seep from the bearings.



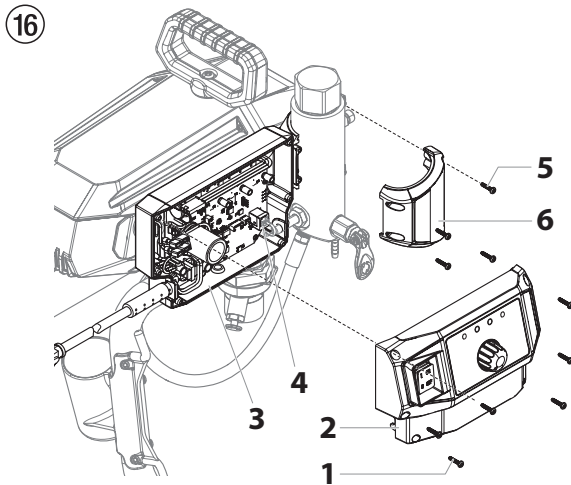
### GUN FILTER

1. Unclip the top of the trigger guard from the gun body (Fig. 14, item 1).
2. Using the bottom of the trigger guard as a wrench, loosen and remove the handle assembly (2) from the gun head (1).
3. Pull the old filter (3) out of the gun body. Clean or replace.
4. Slide the new filter, tapered end first, into the gun head.
5. Thread the handle assembly into the gun head. Tighten with the trigger guard wrench.
6. Snap the trigger guard back onto the gun body.

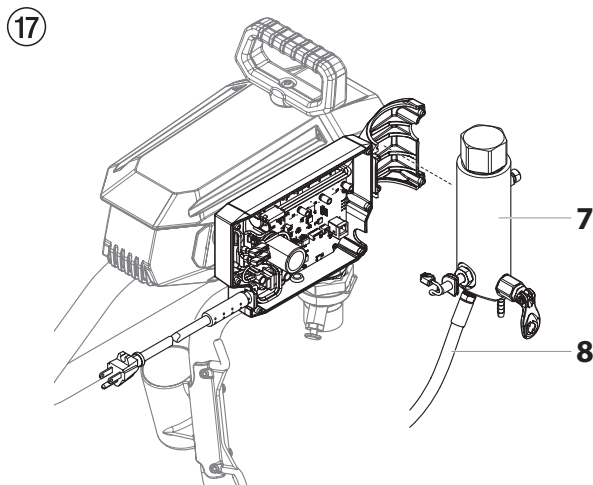


## 2.10 REPLACING THE CONTROL BOARD

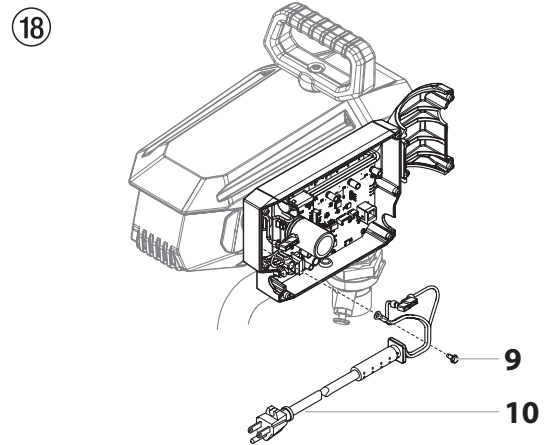
1. Perform the Pressure Relief Procedure and unplug the sprayer.
2. Loosen and remove the six screws (Fig. 16, item 1) that secure the front enclosure (2) to the main control box (3).
3. Unplug all wire connections (motor wires, potentiometer, LED, and ON/OFF switch) from the front enclosure to the control board (refer to Electrical Schematic, page 61).
4. Unplug the transducer wire (4) from the control board. The grommet will come out when the filter assembly is removed, save for reinstallation.
5. Loosen and remove the four screws (5) that secure the filter assembly cover (6) to the main control box (3).



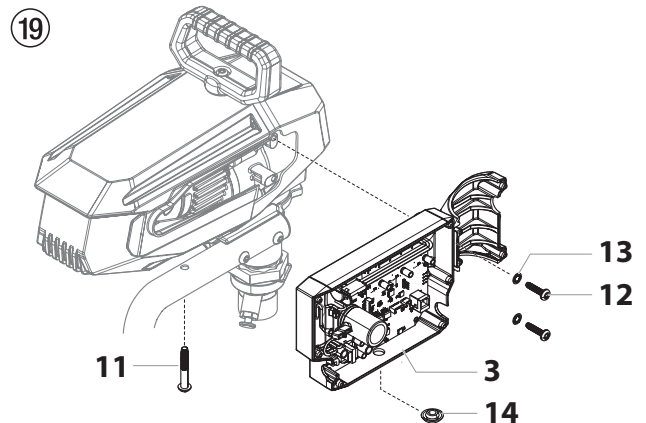
6. Remove the filter assembly (7). The fluid hose (8) does not need to be removed but take care not to damage it.



7. Using a 1/4" socket or nut driver, remove the ground wire (Fig. 18, item 9). Unplug the power cord (10) connections from the control board. Remove the power cord.



8. Loosen and remove the bolt (Fig. 19, item 11) that secures the control box assembly (3) to the skid or cart.
9. Loosen and remove the two screws (12) and washers (13) that secure the control box assembly to the main unit.
10. Remove the rubber plug (14) from the old control box. Reinstall the rubber plug (14) from the old control box into the new one.



11. Reinstall the new control box assembly. Secure with the screws removed in steps 8-9, above.
12. Reconnect the power cord back to the control board (see Electrical Schematic, page 61). Re-secure the power cord ground wire with the ground screw (9).
13. Reverse the previous steps to reinstall the components. Align the filter assembly (7) with the flat on the enclosure and slide the grommet into the enclosure (flat side of the grommet facing out). Plug the transducer wire into the control board (see Electrical Schematic, page 61).
14. Reconnect the wire connections (motor wires, potentiometer, LED, and ON/OFF switch) from the front enclosure (2) to the control board (see Electrical Schematic, page 61).
15. Replace the front enclosure (2) and secure with the six screws (1) provided with the replacement controller.
16. Replace the filter cover (5) and secure with the four screws (4) provided with the replacement controller.

### 3 TROUBLESHOOTING

#### PROBLEM

#### CAUSE

#### SOLUTION

A. The unit will not run.

1. The unit is not plugged in.
2. Blown fuse.
3. The pressure is set too low (pressure control knob set at minimum setting does not supply power to unit).
4. Faulty or loose wiring.
5. Excessive motor temperature.
6. ON/OFF switch is defective.

1. Plug the unit in.
2. Replace the fuse (Fuse type 3AB 15 AMP / 250V, P/N 800-929).
3. Turn the pressure control knob clockwise to supply power to the unit and increase the pressure setting.
4. Inspect or take to a Titan authorized service center.
5. Allow motor to cool.
6. Replace the ON/OFF switch.

B. The unit will not prime.

1. Inlet valve is stuck.
2. The PRIME/SPRAY valve is in the SPRAY position.
3. Air leak in the siphon tube/suction set.
4. The pump filter and/or inlet screen is clogged.
5. The siphon tube/suction set is clogged.

1. Press the pusher stem.
2. Flip the PRIME/SPRAY valve clockwise to the PRIME position.
3. Check the siphon tube/suction set connection and tighten or re-tape the connection with PTFE tape.
4. Remove the pump filter element and clean. Remove the inlet screen and clean.
5. Remove the siphon tube/suction set and clean.

C. The unit will not build or maintain pressure.

1. The spray tip is worn.
2. The spray tip is too large.
3. The pressure control knob is not set properly.
4. The pump filter, gun filter, or inlet screen is clogged.
5. Material flows from the return hose when the PRIME/SPRAY valve is in the SPRAY position.
6. Air leak in the siphon tube/suction set.
7. There is external fluid leak.
8. There is an internal fluid section leak (packings are worn and/or dirty, valve balls are worn).
9. Worn valve seats
10. Motor powers but fails to rotate

1. Replace the spray tip following the instructions that came with the spray gun.
2. Replace the spray tip with a tip that has a smaller orifice following the instructions that came with the spray gun.
3. Turn the pressure control knob clockwise to increase the pressure setting.
4. Remove the pump filter element and clean. Remove the gun filter and clean. Remove the inlet screen and clean.
5. Clean or replace the PRIME/SPRAY valve.
6. **Cart Models:** Check the siphon tube/suction set connection and tighten or re-tape the connection with PTFE tape. **Skid Models:** check and clean/lubricate the O-rings on the suction set connection.
7. Check for external leaks at all connections. Tighten connections, if necessary.
8. Clean the valves and service the fluid section following the "Servicing the Fluid Section" procedure in the Maintenance section of this manual.
9. Reverse or replace the valve seats following the "Servicing the Fluid Section" procedure in the Maintenance section of this manual.
10. Take unit to a Titan authorized service center.

D. Fluid leakage at the upper end of the fluid section.

1. The upper packing is worn.
2. The piston is worn.

1. Repack the pump following the "Servicing the Fluid Section" procedure in the Maintenance section of this manual.
2. Replace the piston rod following the "Servicing the Fluid Section" procedure in the Maintenance section of this manual.

E. Excessive surge at the spray gun.

1. Wrong type of airless spray hose.
2. The spray tip is worn or too large.
3. Excessive pressure.

1. Replace hose with a minimum of 50' of 1/4" grounded textile braid airless paint spray hose.
2. Replace the spray tip following the instructions that came with the spray gun.
3. Rotate the pressure control knob counterclockwise to decrease spray pressure.

F. Poor spray pattern.

1. The spray tip is too large for the material being used.
2. Incorrect pressure setting.
3. Insufficient fluid delivery.
4. The material being sprayed is too viscous.

1. Replace the spray tip with a new or smaller spray tip following the instructions that came with the spray gun.
2. Rotate the pressure control knob to adjust the pressure for a proper spray pattern.
3. Clean all screens and filters.
4. Add solvent to the material according to the manufacturer's recommendations.

G. The unit lacks power.

1. The pressure adjustment is too low.
2. Improper voltage supply.

1. Rotate the pressure control knob clockwise to increase the pressure setting.
2. Reconnect the input voltage for 120V AC.

### 3.1 ERROR MESSAGES

If there is a sprayer malfunction, the green motor running indicator will blink in a specific pattern to indicate the type of malfunction. See below for an explanation of the blinking patterns.

- The number of blinks immediately following the long pause is the first number
- The number of blinks immediately following the short pause is the second number
- e.g. Long pause => 2 blinks => short pause => 1 blink = 21 (Check Transducer)

Error Message	# of Blinks	# of Blinks	Error Number	Error / Fault	Description
1	2	1	21	Check Transducer	Indicates that the transducer is not working properly.
2	2	3	23	Check Potentiometer	Indicates that the potentiometer is not working properly.
3	2	4	24	High Mechanical Load	Indicates unit is seeing excessively high mechanical load (e.g. frozen fluid section).
4	2	5	25	High Motor Temperature	Indicates the motor is shut down due to excessive heat.
5	3	1	31	High Controller Temperature	Indicates the EPC is shut down due to excessive heat.
6	3	2	32	Low Voltage	Indicates that voltage is below 60 volts. Motor will try to start once, then display Low Voltage after 3 seconds.
7	3	4	34	Bad Hall Cycle Power	Indicates the motor is shut down due to connection problems between the motor and controller.
8	4	1	41	Check Motor	Indicates motor or motor hall sensors are defective.
9	4	2	42	Motor	If pump was stored in cold area, allow the pump to warm up and retry. If this does not correct the problem the motor sensor is bad and motor is to be replaced.
13	Continuous blinking of Motor Run light			System Over Current	Shut pump off for 1 minute to reset, turn on and if still blinking replace controller



# WARRANTY

Titan Tool, Inc., (“Titan”) warrants that at the time of delivery to the original purchaser for use (“End User”), the equipment covered by this warranty is free from defects in material and workmanship. With the exception of any special, limited, or extended warranty published by Titan, Titan’s obligation under this warranty is limited to replacing or repairing without charge those parts which, to Titan’s reasonable satisfaction, are shown to be defective within twelve (12) months after sale to the End User. This warranty applies only when the unit is installed and operated in accordance with the recommendations and instructions of Titan.

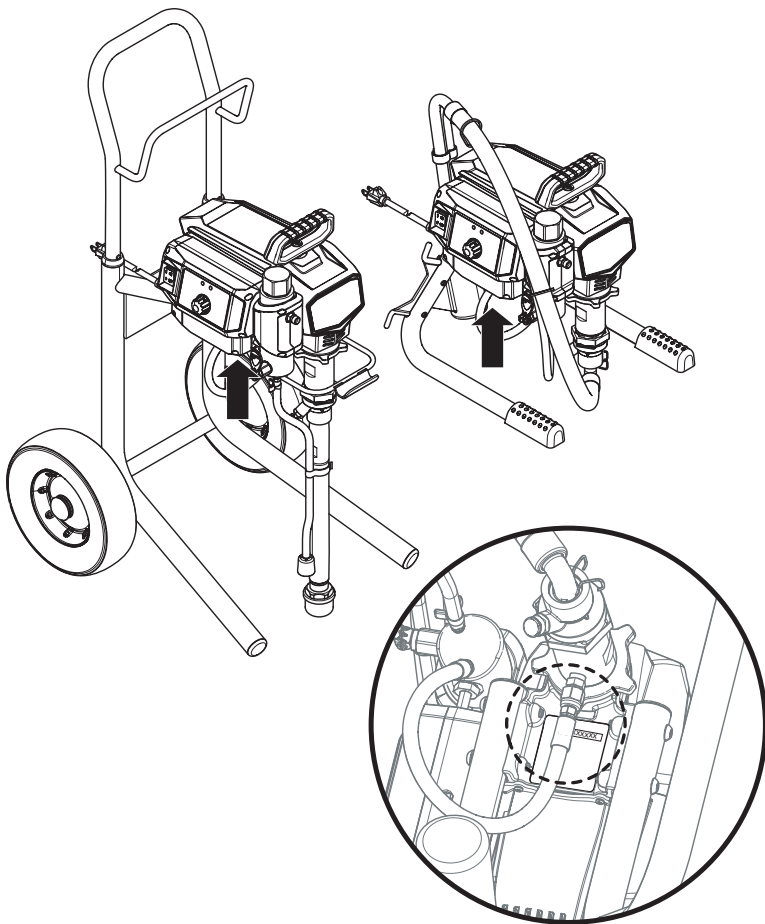
This warranty does not apply in the case of damage or wear caused by abrasion, corrosion or misuse, negligence, accident, faulty installation, substitution of non-Titan component parts, or tampering with the unit in a manner to impair normal operation.

Defective parts are to be returned to an authorized Titan sales/service outlet. All transportation charges, including return to the factory, if necessary, are to be borne and prepaid by the End User. Repaired or replaced equipment will be returned to the End User transportation prepaid.

THERE IS NO OTHER EXPRESS WARRANTY. TITAN HEREBY DISCLAIMS ANY AND ALL IMPLIED WARRANTIES INCLUDING, BUT NOT LIMITED TO, THOSE OF MERCHANTABILITY AND FITNESS FOR A PARTICULAR PURPOSE, TO THE EXTENT PERMITTED BY LAW. THE DURATION OF ANY IMPLIED WARRANTIES WHICH CANNOT BE DISCLAIMED IS LIMITED TO THE TIME PERIOD SPECIFIED IN THE EXPRESS WARRANTY. IN NO CASE SHALL TITAN LIABILITY EXCEED THE AMOUNT OF THE PURCHASE PRICE. LIABILITY FOR CONSEQUENTIAL, INCIDENTAL OR SPECIAL DAMAGES UNDER ANY AND ALL WARRANTIES IS EXCLUDED TO THE EXTENT PERMITTED BY LAW.



TITAN MAKES NO WARRANTY AND DISCLAIMS ALL IMPLIED WARRANTIES OF MERCHANTABILITY AND FITNESS FOR A PARTICULAR PURPOSE WITH RESPECT TO ACCESSORIES, EQUIPMENT, MATERIALS OR COMPONENTS SOLD BUT NOT MANUFACTURED BY TITAN. THOSE ITEMS SOLD, BUT NOT MANUFACTURED BY TITAN (SUCH AS GAS ENGINES, SWITCHES, HOSES, ETC.) ARE SUBJECT TO THE WARRANTY, IF ANY, OF THEIR MANUFACTURER. TITAN WILL PROVIDE THE PURCHASER WITH REASONABLE ASSISTANCE IN MAKING ANY CLAIM FOR BREACH OF THESE WARRANTIES.

## SERIAL NUMBER LOCATION



## PRODUCT REGISTRATION

Register your product online at [www.titantool.com](http://www.titantool.com).

Caractéristiques	Support	Chariot
Nom	440	440
N° de modèle	2429069	2430510
<b>Caractéristiques techniques</b>		
Débit (GPM)	0,54 (2,04 LPM)	0,54 (2,04 LPM)
Embout, dimension max.	0,023"	0,023"
Pression max.	22,8 MPa	22,8 MPa
Poids	13,6 kg	24,5 kg
Tuyau de pulvérisation dimension max.	91,4 m	91,4 m
Source de puissance	1.20 Brushless motor, 120 V, 60 Hz, 11.8 A	1.20 Brushless motor, 120 V, 60 Hz, 11.8 A
Génératrice	5000 W (désactiver la mort en fonction)	5000 W (désactiver la mort en fonction)
<b>Accessoires inclus</b>		
Pistolet	RX-80	RX-80
Embout de pulvérisation	HEA 517 (N° de pièce 330-517)	HEA 517 (N° de pièce 330-517)
Piston Lube (4 oz.)	N° de pièce 314-481	N° de pièce 314-481
Tuyau	15 m N° de pièce 316-505	15 m N° de pièce 316-505
Filtre de pulvérisation	60 mailles, N° de pièce 2424933	60 mailles, N° de pièce 2424933
<b>Modes d'emploi</b>		
Mode d'emploi, (N° de form 2431944)	Anglais / français / espagnol Inclus avec l'appareil et disponible en ligne, <a href="http://www.titantool.com">www.titantool.com</a>	Anglais / français / espagnol Inclus avec l'appareil et disponible en ligne, <a href="http://www.titantool.com">www.titantool.com</a>
Manuel d'entretien (N° de form 2431945)	Anglais / français / espagnol disponible en ligne, <a href="http://www.titantool.com">www.titantool.com</a>	Anglais / français / espagnol disponible en ligne, <a href="http://www.titantool.com">www.titantool.com</a>
Mode d'emploi, RX-80 (N° de form 0538800)	Toutes les langues Inclus avec l'appareil et disponible en ligne, <a href="http://www.titantool.com">www.titantool.com</a>	Toutes les langues Inclus avec l'appareil et disponible en ligne, <a href="http://www.titantool.com">www.titantool.com</a>
<b>Conformité</b>		
	Se conforme à UL STD 1450. Certifié au NON 68 de CSA C 22,2 N° 68	Se conforme à UL STD 1450. Certifié au NON 68 de CSA C 22,2 N° 68
	<b>AVERTISSEMENT! AVERTISSEMENT EN FONCTION DE LA PROPOSITION 65 DE LA CALIFORNIE</b> Cet appareil peut vous exposer à des produits chimiques, y compris le plomb, reconnus par l'État de la Californie pour causer le cancer, des anomalies congénitales ou d'autres troubles de la reproduction. Pour de plus amples renseignements, consultez le site Web <a href="http://www.P65warnings.ca.gov">www.P65warnings.ca.gov</a> .	

<b>1</b>	<b>PRESCRIPTIONS DE SÉCURITÉ POUR LA PROJECTION AIRLESS</b>	<b>20</b>
1.1	Explication des symboles utilisés	20
1.2	Directives de mise à la terre	20
1.3	Renseignements importants sur l'électricité	20
1.4	Dangers pour la sécurité	21
<b>2</b>	<b>ENTRETIEN</b>	<b>22</b>
2.1	Procédure de décompression	22
2.2	Généralités concernant la maintenance	23
2.3	Remplacement du moteur	23
2.4	Remplacement des engrenages	24
2.5	Remplacement du transducteur	25
2.6	Remplacement de la soupape PRIME/SPRAY	25
2.7	Maintenance de la section des liquides	26
2.7.1	Remplacement de la section des liquides	26
2.7.2	Maintenance de soupapes	27
2.8	Remplacement des filtres	29
2.9	Lubrifier l'ensemble excentrique	29
2.10	Remplacer le tableau de commande	30
<b>3</b>	<b>DÉPANNAGE</b>	<b>31</b>
3.1	Messages d'erreur	32
	<b>GARANTIE</b>	<b>33</b>
	<b>LISTE DE PIÈCES DE RECHANGE</b>	<b>50</b>
	Vue d'ensemble	50
	Ensemble d'aspiration	52
	Boîte d'engrenages	54
	Section des liquides	56
	Ensemble de chariot	58
	Ensemble du filtre	60
	Schéma de raccordement électrique	61
	<b>ACCESSOIRES</b>	<b>62</b>

# 1 PRESCRIPTIONS DE SÉCURITÉ

## 1.1 EXPLICATION DES SYMBOLES UTILISÉS

Veillez lire et être sûr de comprendre toutes les informations contenues dans ce manuel avant d'utiliser l'appareil. Lorsque vous pénétrez dans une zone qui contient les symboles suivants, soyez particulièrement vigilant et vérifiez que les systèmes de sécurité sont bien installés.



→ Ce symbole indique un risque potentiel pouvant entraîner des blessures graves ou même mortelles. Vous trouverez ci-après d'importantes consignes de sécurité.



Attention

→ Ce symbole indique un risque potentiel pour vous ou pour l'appareil. D'importantes informations sur la manière d'éviter tout dommage de l'équipement ou d'éviter des blessures légères sont indiquées ci-après.



→ Danger de blessure par injection de produit



→ Danger d'incendie



→ Risque d'explosion



→ Vapeurs toxiques et/ou inflammables. Danger d'intoxication et de brûlure



→ Risque de choc électrique



→ Les notes contiennent des informations qui doivent être consciencieusement respectées.

## 1.2 DIRECTIVES DE MISE À LA TERRE

Cet appareil doit être mis à la terre. En cas de court-circuit, cette précaution réduit les risques de choc en procurant un parcours au courant électrique. Le cordon de l'appareil est doté d'un fil de terre relié à la troisième broche de sa fiche. Cette dernière doit être branchée dans une prise correctement câblée et mise à la terre conformément aux codes et règlements locaux.



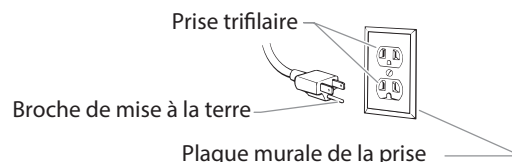
**MISE EN GARDE - Le fait de ne pas brancher correctement la fiche trifilaire de l'appareil peut entraîner des risques de choc électrique.**

Si on doit réparer ou remplacer le cordon ou la fiche, ne pas raccorder le fil de terre à la borne des broches plates (lames) de cette dernière. Ce fil, normalement vert (avec ou sans rayures jaunes), doit être relié à la broche de terre.

Consulter un technicien ou un électricien qualifié à défaut de comprendre l'ensemble des présentes directives ou en cas d'incertitude quant à la mise à terre de l'appareil. Ne pas modifier la

fiche de l'appareil; si elle ne s'adapte pas dans la prise voulue, la faire remplacer par un électricien qualifié.

Conçu pour les circuits de 120 V, cet appareil est doté d'une fiche ressemblant à celle illustrée ci-dessous. S'assurer que le produit est connecté à une prise électrique ayant la même configuration que la fiche mâle. Ne pas utiliser d'adaptateur avec ce produit.



## 1.3 RENSEIGNEMENTS IMPORTANTS SUR L'ÉLECTRICITÉ

Si l'application requiert l'utilisation d'une rallonge, celle-ci doit être trifilaire et dotée d'une fiche à trois broches et d'un connecteur à trois fentes pouvant accepter la fiche de l'appareil. Cette rallonge doit être en bon état. On doit en outre s'assurer qu'elle est d'un calibre suffisant pour éviter les baisses de tension susceptibles de provoquer des pertes de puissance ou une surchauffe de l'appareil.

On recommande l'utilisation d'un cordon de calibre 14 ou 12 (voir le tableau). Si la rallonge doit servir à l'extérieur, on doit opter pour un type de cordon dont la désignation arbore le suffixe « W-A » (ex. SJTW-A).

Cordon de calibre	Longueur maximum de cordon
12	46 m
14	31 m

## 1.4 DANGERS POUR LA SÉCURITÉ



### RISQUE : BLESSURE PAR PROJECTION

Un courant de liquide à haute pression produit par cet équipement peut percer la peau et les tissus sous-cutanés, et entraîner des blessures graves ou une amputation.

Ne traitez pas une blessure par injection comme simple coupure. En cas de blessure de la peau par l'injection de peintures ou de solvants, consultez sans retard un médecin. Renseignez le médecin sur la nature de la peinture ou du solvant utilisés.

### PRÉVENTION :

- Ne dirigez pas le pistolet sur et ne pulvérisez pas les personnes ou les animaux.
- N'approchez pas les mains ni d'autres parties du corps de la sortie du produit. Par exemple, ne tentez pas d'arrêter une fuite avec une partie du corps.
- NE JAMAIS mettre la main, même gantée, devant le pistolet (les gants n'offrent aucune protection contre les blessures par injection).
- TOUJOURS s'assurer que le protège-embout est en place avant de pulvériser. Il est cependant à noter que, s'il assure une certaine protection, ce dispositif joue surtout un rôle préventif.
- Utilisez exclusivement un embout de buse spécifié par le fabricant.
- Prenez garde quand vous nettoyez ou que vous changez les embouts de buse. Si l'embout se bouche pendant que vous pulvérisez, verrouillez TOUJOURS la détente du pistolet, arrêtez la pompe et libérez toute la pression avant de réparer ou de

nettoyer l'embout ou le protecteur ou avant de changer d'embout. La pression n'est pas libérée par l'arrêt du moteur. La poignée du robinet-valve PRIME/SPRAY doit être placée sur PRIME pour libérer la pression. Consultez la PROCÉDURE DE DÉCOMPRESSION décrite dans le manuel de la pompe.

- Ne laissez pas l'appareil sous tension ou sous pression quand vous vous en éloignez. Quand vous n'utilisez pas l'appareil, éteignez-le et libérez la pression conformément aux instructions du fabricant.
- La pulvérisation à haute pression peut injecter des toxines dans le corps et causer de graves blessures corporelles. Si une telle injection se produisait, consultez immédiatement un médecin.
- Vérifiez les tuyaux et les pièces pour détecter des signes d'endommagement : une fuite peut injecter le produit dans la peau. Inspectez le tuyau avant chaque emploi. Changez tous les tuyaux ou pièces endommagés. Pour des raisons de fonctionnement, de sécurité et de durée de vie, utiliser exclusivement des tuyaux flexibles à haute pression d'origine de TITAN.
- Ce système peut produire une pression de 3 300 PSI / 22,8 MPa. N'utilisez que les pièces de rechange ou les accessoires spécifiés par le fabricant et ayant une pression nominale minimum de 3 300 PSI. Ceci est valable pour les embouts de pulvérisation, les protecteurs de buse, les pistolets, les rallonges, les raccords et le tuyau.
- Verrouillez toujours la détente quand vous ne pulvérisez pas. Vérifiez que le verrou de la détente fonctionne correctement.
- Vérifiez que toutes les connexions sont bien serrées avant d'utiliser l'appareil.
- Sachez comment arrêter l'appareil et le dépressuriser rapidement. Soyez bien familiarisé avec les commandes. La pression n'est pas libérée lorsque le moteur est arrêté. La poignée du robinet-valve PRIME/SPRAY doit être placée sur PRIME pour libérer la pression. Consultez la PROCÉDURE DE DÉCOMPRESSION décrite dans le manuel de la pompe.
- Retirez toujours l'embout de pulvérisation avant de rincer ou de nettoyer le système.



#### REMARQUE À L'INTENTION DES MÉDECINS :

**Les injections cutanées sont des lésions traumatiques; il importe donc de les traiter sans délai. On NE DOIT PAS retarder ce traitement sous prétexte de vérifier la toxicité du produit en cause, celle-ci n'étant conséquente que dans le cas d'injection directe de certains produits dans le système sanguin. Il pourrait s'avérer nécessaire de consulter un plasticien ou un spécialiste en chirurgie reconstructive de la main.**



#### RISQUE : EXPLOSION ET INCENDIE

Les vapeurs inflammables, telles que les vapeurs de solvant et de peinture, dans une zone de travail peuvent s'enflammer ou exploser.



#### PRÉVENTION :

- Ne pulvérisez pas de matières inflammables ou combustibles près d'une flamme nue, de voyants lumineux ou de sources d'ignition telles que des objets chauds, cigarettes, moteurs, matériel et appareils électriques. Évitez de produire des étincelles en connectant et en déconnectant les cordons électriques.
- S'entourer de toutes les précautions possibles lorsqu'on utilise des produits ayant un point d'éclair inférieur à 38°C (100°F). Le point d'éclair est la température à laquelle le liquide peut créer suffisamment de vapeurs et s'enflammer.

- L'écoulement de peinture ou de solvant dans l'équipement peut produire de l'électricité statique. L'électricité statique crée un risque d'incendie ou d'explosion en présence de fumées de peinture ou de solvant. Toutes les pièces du système du pulvérisateur, y compris la pompe, l'ensemble du tuyau, le pistolet de pulvérisation et les objets dans et autour de la zone de pulvérisation doivent être correctement reliés à la terre pour protéger contre les décharges d'électricité statique et les étincelles. N'utilisez que des tuyaux conducteurs ou reliés à la terre pour pulvérisateurs de peinture sous vide à haute pression, spécifiés par le fabricant.
- Vérifiez que tous les conteneurs ou systèmes de stockage sont reliés à la terre pour éviter les décharges d'électricité statique.
- N'utilisez pas de peinture ou de solvant contenant du halon, par exemple, le chlore, les agents antimoisissure à l'eau de Javel, le chlorure de méthylène et le trichloroéthane. Ils ne sont pas compatibles avec l'aluminium. Contactez le fournisseur de vêtements pour connaître la compatibilité du matériau avec l'aluminium.
- La zone de pulvérisation doit toujours être bien aérée. Une bonne quantité d'air frais doit constamment traverser la zone de pulvérisation pour éviter les accumulations de vapeurs inflammables. Le système de pompage doit être placé dans une zone bien aérée. Ne pulvérisez pas le système de pompage.
- Ne fumez pas dans la zone de pulvérisation.
- N'actionnez pas d'interrupteurs électriques, de moteurs ou autres dispositifs produisant des étincelles dans la zone de pulvérisation.
- Maintenez la propreté de la zone et veillez à ce qu'elle ne contienne pas de conteneurs de peinture ou de solvant, de chiffons et autres matières inflammables.
- Sachez ce que contiennent la peinture et les solvants pulvérisés. Lisez les fiches de sécurité du matériel (SDS) et les étiquettes apposées sur les conteneurs de peintures et de solvants. Respectez les consignes de sécurité du fabricant de peinture et de solvant.
- Placez la pompe à une distance minimum de 6,1 mètres (20 pieds) de l'objet à pulvériser, dans une zone bien aérée (ajoutez de la longueur de tuyau si besoin est). Les vapeurs inflammables sont souvent plus lourdes que l'air. La zone près du sol doit être très bien aérée. La pompe contient des pièces qui produisent des arcs et émettent des étincelles pouvant enflammer les vapeurs.
- Le plastique peut causer des étincelles d'électricité statique. N'accrochez aucun plastique dans une zone de pulvérisation fermée. N'utilisez pas de toiles de protection en plastique quand vous pulvérisez une matière inflammable.
- Ayez un extincteur en bon état de fonctionnement à portée de main.



#### RISQUE : FLEXIBLE À HAUTE PRESSION

Le tuyau de peinture peut présenter des fuites dues à l'usure, aux pincements et aux mauvaises utilisations. Toute fuite peut entraîner une projection de matériau dans la peau. Vérifiez soigneusement le tuyau avant chaque utilisation.

#### PRÉVENTION :

- Il faut éviter de trop plier le flexible; le plus petit rayon ne doit pas être inférieur à 20 cm.
- Protéger le flexible contre le passage de véhicules et éviter le frottement sur des arêtes vives.
- Remplacer immédiatement tout tuyau à haute pression endommagé.
- Ne jamais essayer de réparer un flexible endommagé!
- La charge électrostatique du pistolet et du flexible est évacuée par ce dernier. Pour cette raison, la résistance électrique entre les raccords du flexible doit être égale ou inférieure à 1 mégohm.

- Pour des raisons de fonctionnement, de sécurité et de durée utile utiliser exclusivement des flexibles à haute pression originaux de Titan.
- Avant chaque utilisation, vérifiez que les tuyaux ne présentent ni coupures, ni fuites, ni signes d'abrasion ou de renflement du revêtement. Vérifiez l'état et le mouvement des raccords. Remplacez immédiatement les tuyaux s'ils sont en mauvais état. Ne réparez jamais un tuyau de peinture. Remplacez-le par un tuyau à haute-pression relié à la masse.
- Assurez vous que le tuyau à air et les tuyaux de pulvérisation sont disposés de façon à éviter les risques de glissade, de trébuchement ou de chute.



### RISQUE : VAPEURS DANGEREUSES

Les peintures, solvants, et autres matériaux peuvent être nocifs en cas d'inhalation ou de contact avec la peau. Les vapeurs peuvent entraîner de sérieuses nausées, des syncopes ou des empoisonnements.

#### PRÉVENTION :

- Pendant le travail de protection porter un masque respiratoire. Lisez attentivement toutes les instructions fournies avec le masque pour vous assurer qu'il fournit bien la protection nécessaire.
- Tous les règlements locaux en matière de protection contre les vapeurs toxiques doivent être respectés.
- Portez des protections oculaires.
- Pour protéger la peau il est nécessaire de porter des vêtements de protection, des gants et d'utiliser éventuellement une crème de protection de la peau. Observer les prescriptions des fabricants au sujet des produits de peinture, de nettoyage et des solvants pendant la préparation, la mise en oeuvre et le nettoyage du matériel.



### RISQUE : GÉNÉRALITÉS

peut entraîner des blessures sévères ou des dégâts matériels.

#### PRÉVENTION :

- Portez toujours les gants, la protection oculaire, les vêtements et un respirateur ou masque appropriés quand vous peignez.
- Ne travaillez pas et ne pulvérisez pas près d'enfants. Éloignez toujours les enfants de l'équipement.
- Ne travaillez pas avec les bras au-dessus de la tête ni sur un support instable. Appuyez-vous bien sur les deux pieds pour toujours conserver l'équilibre.
- Soyez attentif et regardez ce que vous faites.
- N'utilisez pas l'appareil quand vous êtes fatigué ou sous l'influence de drogues ou d'alcool.
- Ne faites pas de nœuds avec le tuyau et ne le tordez pas trop. Le tuyau à vide peut présenter des fuites suite à l'usure, les nœuds ou les mauvais traitements. Une fuite risque d'injecter du produit dans la peau.
- N'exposez pas le tuyau à des températures ou des pressions supérieures à celles spécifiées par le fabricant.
- N'utilisez pas le tuyau pour tirer ou soulever l'équipement.
- Utilisez la plus basse pression possible pour rincer l'équipement.
- Respectez tous les codes locaux, étatiques et nationaux qui régulent la ventilation, la prévention d'incendies et le fonctionnement.
- Les normes de sécurité du gouvernement des États-Unis ont été adoptées dans la loi Occupational safety and Health Act (OSHA).

Ces normes, en particulier la partie 1910 des Normes générales et la partie 1926 des Normes de construction, doivent être consultées.

- Avant chaque emploi, vérifiez tous les tuyaux pour détecter d'éventuelles coupures, fuites, abrasion ou couvercle bombé. Vérifiez l'état ou le mouvement des accouplements. Changez immédiatement le tuyau si l'une de ces conditions est vérifiée. Ne réparez jamais un tuyau de peinture. Remplacez-le par un tuyau conducteur à haute pression.
- Ne pulvérisez pas à l'extérieur par temps venteux.
- Débranchez toujours le cordon électrique de la prise avant de travailler sur l'équipement.

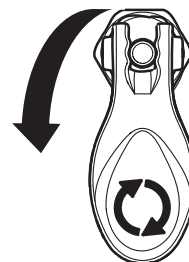
## 2 ENTRETIEN

### 2.1 PROCÉDURE DE DÉCOMPRESSION

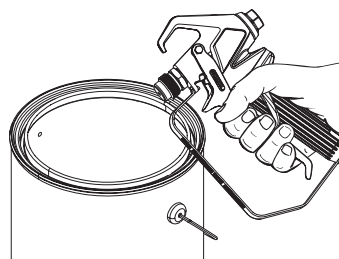


**On doit effectuer la procédure de décompression chaque fois qu'on arrête l'appareil pour en faire la maintenance, en changer les réglages de vaporisation, en remplacer/ nettoyer les embouts ou en effectuer la préparation en vue d'un nettoyage.**

1. Verrouiller le pistolet en mettant le verrou de détente à la position appropriée.
2. Arrêter l'appareil en mettant le commutateur à la position OFF.
3. Tourner à fond le bouton de régulation de la pression dans le sens inverse des aiguilles d'une montre jusqu'au minimum de pression.
4. Abaisser la soupape PRIME/SPRAY à la position PRIME.



5. Déverrouiller le pistolet en mettant le verrou de détente à la position appropriée.
6. Tenir fermement la partie métallique du pistolet contre le bord d'un contenant métallique afin d'éviter une accumulation d'électricité statique.



7. Appuyer sur la détente du pistolet afin de purger tout l'air restant dans le flexible.
8. Verrouiller le pistolet en mettant le verrou de détente à la position appropriée.

## 2.2 GÉNÉRALITÉS CONCERNANT LA MAINTENANCE

Pour réparer ou entretenir le vaporisateur, on pourrait avoir à recourir aux outils suivants :

Pince à bec pointu	Clé à fourche de 7/16 po
Clé à ouverture variable	Clé à fourche de 11/16 po
Maillet en caoutchouc	Clé à fourche de 3/4 po
tournevis T15	Clé à fourche de 13/16 po
tournevis T30	Tourne-écrou 1/4 po
tournevis T40	

1. Avant de procéder à la maintenance de n'importe quel composant du vaporisateur, il faut lire attentivement les directives ainsi que tous les avertissements qu'elles contiennent.

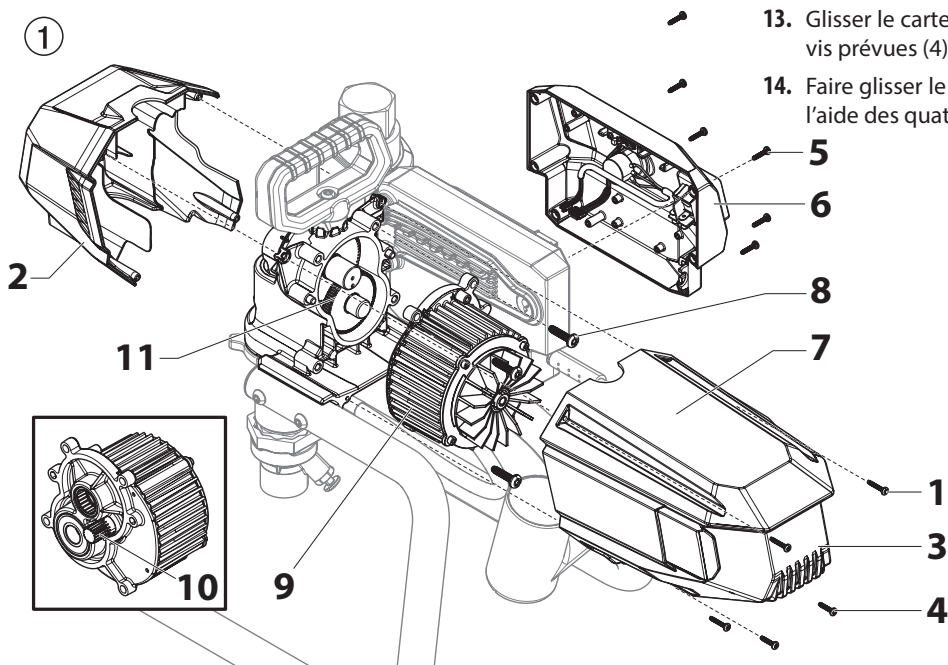


Attention

**Ne jamais tirer sur le cordon pour le débrancher, ce qui pourrait détacher le connecteur des fils.**

2. Vérifier les résultats de la maintenance effectuée avant d'utiliser le vaporisateur en conditions normales afin de s'assurer que le problème ait bel et bien été corrigé. Si le vaporisateur ne fonctionne toujours pas comme il faut, repasser la procédure pour s'assurer qu'elle ait été bien suivie. Se reporter ensuite à la section Dépannage pour cerner la source potentielle du problème.
3. S'assurer que l'endroit choisi soit bien ventilé si des solvants sont utilisés pour le nettoyage. Toujours porter des lunettes de protection lorsqu'on procède à la maintenance. D'autres dispositifs protecteurs pourraient être requis selon le type de solvant utilisé; on doit toujours communiquer avec le fabricant de ce dernier pour obtenir ses recommandations à cet effet.
4. Pour toute autre question relative à ce vaporisateur à dépression, il suffit de communiquer avec Titan :

Service à la clientèle (É.-U.) ..... 1-800-526-5362



- F -

## 2.3 REMPLACEMENT DU MOTEUR

1. Suivre la Procédure de décompression et débrancher l'appareil.
2. Desserrez et retirez les quatre vis (Fig. 1, élément 1) qui fixent le capot avant (2) au carter de moteur (3). Retirez le capot avant.
3. Desserrez et retirez les deux vis (4) qui fixent le capot du moteur au boîtier principal. Retirez le carter de moteur (3).
4. Retirez les six vis de montage panneau de contrôle (5). Tirez le panneau de contrôle (6) d'accès au panneau de bord.
5. Sur le panneau de bord, débrancher les deux fils venant du moteur (se reporter au schéma de raccordement électrique, página 61).
6. Desserrez et retirez les quatre vis de montage du moteur (8). Utiliser un tournevis T30.
7. Retirer le moteur (9) du logement de la pompe.



**Si le moteur refuse de sortir du logement de la pompe :**

- Retirer le couvercle avant.
- Au moyen d'un maillet en caoutchouc, donner de petits coups à l'avant du vilebrequin (qui ressort de la bielle).

8. Une fois le moteur retiré, inspecter les engrenages dans le logement de la pompe (11) pour y détecter d'éventuels dommages ou une usure excessive. Les remplacer, le cas échéant. (Voir Remplacement des engrenages, page 24). Appliquer de la graisse sur les roulements et l'engrenage du piston.
9. Installer le nouveau moteur (9) dans le logement de la pompe.
10. Fixer le moteur (9) au moyen des quatre vis de montage (8). Serrez à un couple de 100-110 po-lb.
11. Reconnecter les fils (se reporter au schéma de raccordement électrique, página 61). Appliquer de la graisse diélectrique sur les connexions.
12. Positionnez le panneau de contrôle (6) sur le logement de pompe et sécuriser en position à l'aide des six vis de montage panneau de contrôle (5).
13. Glisser le carter sur le moteur (3) en le fixant au moyen des deux vis prévues (4).
14. Faire glisser le capot avant (2) sur l'avant du collecteur. Le fixer à l'aide des quatre (1) vis du capot avant.

## 2.4 REMPLACEMENT DES ENGRENAGES

1. Suivre la Procédure de décompression et débrancher l'appareil.
2. Desserrez et retirez les quatre vis (Fig. 2, élément 1) qui fixent le capot avant (2) au carter de moteur (3). Retirez le capot avant.
3. Desserrez et retirez les deux vis (4) qui fixent le capot du moteur au boîtier principal. Retirez le carter de moteur (3).
4. Retirez les six vis de montage panneau de contrôle (5). Tirez le panneau de contrôle (6) d'accès au panneau de bord.
5. Sur le panneau de bord, débrancher les deux fils venant du moteur (se reporter au schéma de raccordement électrique, página 61).
6. Desserrez et retirez les quatre vis de montage du moteur (8). Utilisez un tournevis T30.
7. Retirer le moteur (9) du logement de la pompe.



**Si le moteur refuse de sortir du logement de la pompe :**

- Retirer le couvercle avant.
- Au moyen d'un maillet en caoutchouc, donner de petits coups à l'avant du vilebrequin (qui ressort de la bielle).



**Avant de remplacer les engrenages, appliquez de la graisse sur les engrenages et les roulements neufs.**

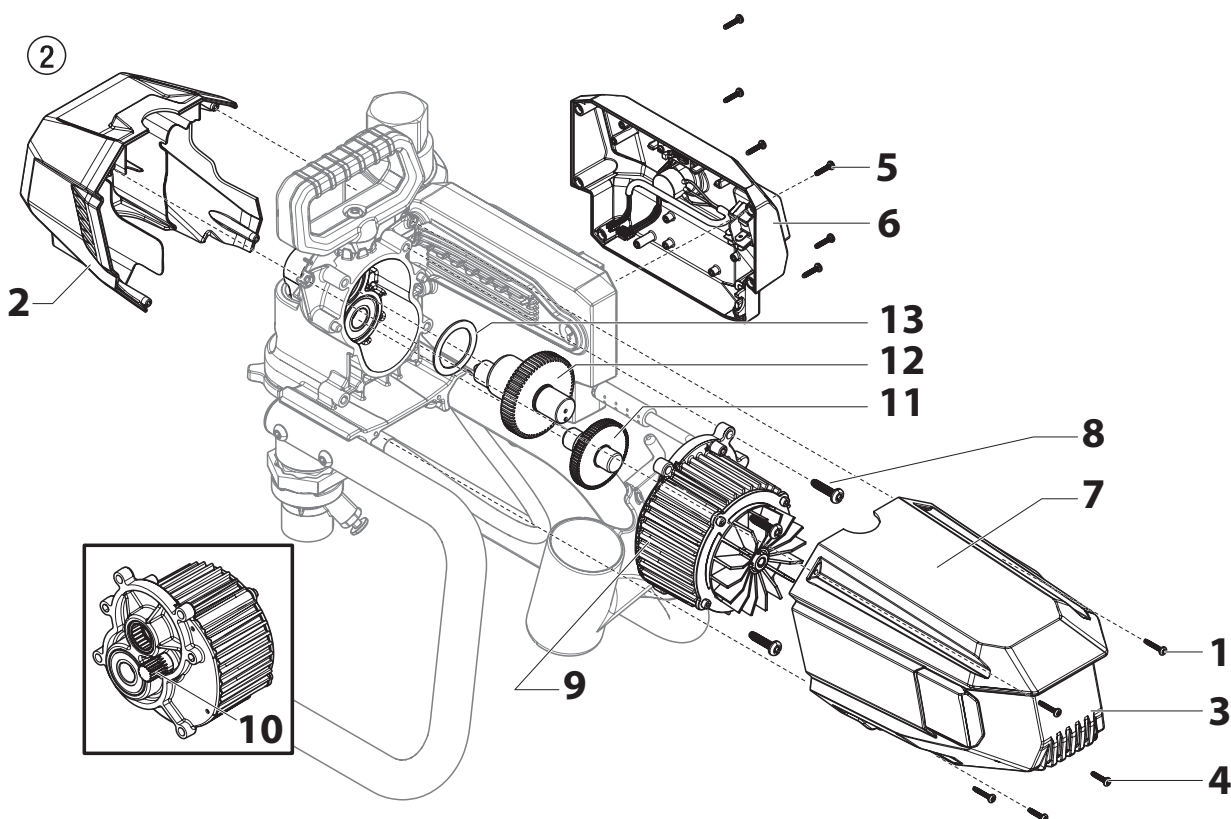
**Utilisez la plaque de lubrification GR-132 pour les engrenages.**

**Utilisez la plaque de lubrification 1242 pour les roulements et les bagues.**

8. Inspecter l'engrenage d'armature à l'extrémité du moteur (10) pour y détecter d'éventuels dommages ou une usure excessive. Si cet engrenage est complètement usé, remplacer tout le moteur.
9. Retirer et inspecter le second engrenage (11) pour y détecter d'éventuels dommages ou une usure excessive. Le remplacer, le cas échéant.
10. Retirer et inspecter l'assemblage engrenages/vilebrequin (12) pour y détecter d'éventuels dommages ou une usure excessive. Le remplacer, le cas échéant.
11. Remonter la pompe en reprenant les étapes ci-dessus à l'envers, en s'assurant que les rondelles (13) de butée restent bien en place.



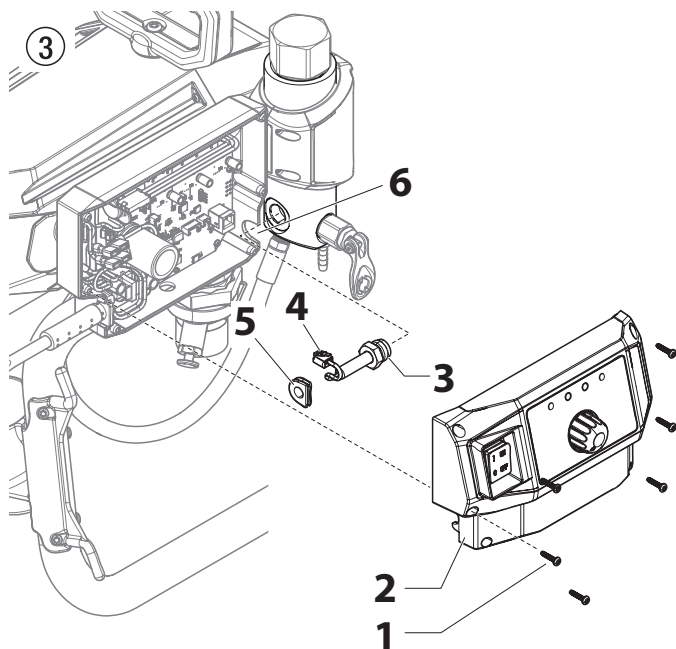
**Verser environ 150 ml (5 oz) de Lubriplate dans la boîte d'engrenages.**





## 2.5 REMPLACEMENT DU TRANSDUCTEUR

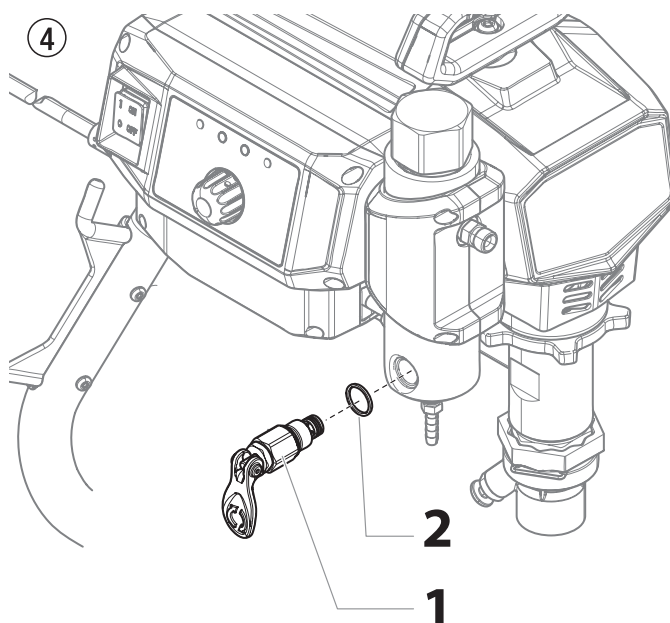
1. À l'aide d'un tournevis T15, retirez les six vis de fixation du panneau de commande (Fig. 3, élément 1). Tirez sur le capot du panneau de commande (2) pour accéder à la carte du panneau de commande.
2. Le transducteur (3) doit maintenant être visible. Débranchez le fil du transducteur (4) de la carte de commande.
3. À l'aide d'une clé de  $\frac{3}{4}$  po, retirez l'ensemble transducteur du bloc filtre.
4. Appliquez de la graisse sur les filetages et le joint torique du nouveau transducteur avant l'installation.
5. Enfiler le nouvel ensemble transducteur (3) dans le bloc filtre. Serrez avec une clé (300-360 po-lb). Veillez à réinstaller le passe-fil (5) dans la fente (6) du boîtier du tableau de commande avec le bord arrondi installé dans la fente.
6. Appliquez de la graisse diélectrique sur la fiche du nouveau fil du transducteur (4). Branchez le nouveau fil du transducteur (4) dans le tableau de commande.
7. À l'aide d'un tournevis T15, remplacez le capot du panneau de commande (2) et fixez-le à l'aide des six vis de fixation du panneau de commande (1). Serrez à un couple de 15 po-lb en forme de croix.



## 2.6 REMPLACEMENT DE LA SOUPAPE PRIME/SPRAY

Pour effectuer cette procédure, on doit se procurer une trousse de remplacement de soupape PRIME/SPRAY (no 700-258).

1. Au moyen d'une clé, desserrer et retirer le logement de la soupape (Fig. 4, élément 1).
2. Appliquez de la graisse sur les filetages de la nouvelle vanne PRIME/SPRAY avant l'installation.
3. S'assurer que le joint d'étanchéité (2) soit à sa place, et visser le nouveau logement dans le bloc pompe; serrez à un couple de 25 pi-lb en forme de croix.



## 2.7 MAINTENANCE DE LA SECTION DES LIQUIDES



Effectuez les étapes suivantes avant de procéder à toute maintenance sur la section des liquides.



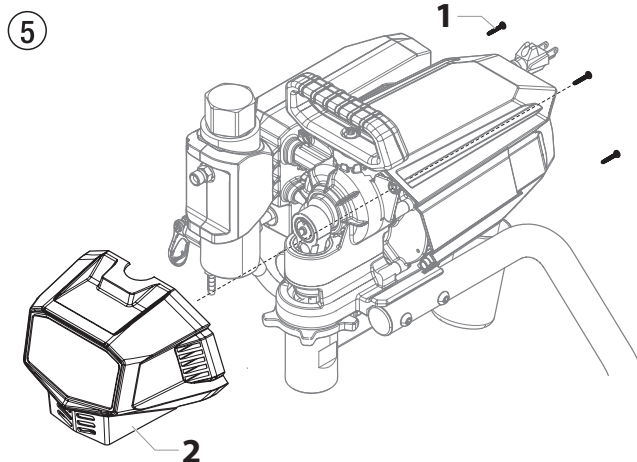
Avant de procéder, on doit suivre les directives de la section Procédure de décompression du présent manuel. On doit également respecter tous les autres avertissements si on veut éviter les blessures par injection, par contact avec une pièce mobile ou par choc électrique. Le vaporisateur doit toujours être débranché avant d'être entretenu ou réparé.

1. Desserrez et retirez les quatre vis (Fig. 5, élément 1) qui fixent le capot avant (2) au carter de moteur (3). Retirez le capot avant.



Risque de pincement. Assurez-vous de garder les doigts éloignés de toute pièce mobile à l'intérieur de la pompe une fois le capot retiré.

2. Nettoyez soigneusement tout matériau de pulvérisation séché qui pourrait s'être formé sur le capot avant.



3. Assurez-vous que la pompe est allumée (I) et que le bouton de commande de pression est réglé à basse pression.
4. Activez le **mode fluage** de la pompe (les étapes A à B suivantes doivent être exécutées en succession rapide). Cela facilitera placera l'excentrique et le piston dans leur position la plus basse, qui est nécessaire pour l'entretien de la section des liquides.
  - A En succession rapide, avec le bouton de commande de pression réglé à basse pression, tournez le bouton de commande de pression à haute pression deux (2) fois, se terminant par basse pression.  
**(Par exemple, commencer à Bas => jusqu'à Haut => revenir à Bas => jusqu'à Haut => retour à Bas)**
  - B Tournez lentement le bouton de commande de pression dans le sens des aiguilles d'une montre jusqu'à ce que vous puissiez voir et entendre que le piston se déplace très lentement.
5. Lorsque le piston arrive en position de point mort bas, tournez le bouton de commande de pression complètement dans le sens antihoraire à basse pression jusqu'à ce que le piston cesse de se déplacer.

6. Éteignez l'interrupteur d'alimentation (0) et débranchez le pulvérisateur.
7. Unités de support – Retirez l'attache de retenue du bas du boîtier de la tige de poussée. Retirez l'ensemble de siphon.  
Pour les unités de chariot, le tube de siphon peut rester fileté dans le boîtier de la tige de poussée.
8. Incliner la pompe vers l'arrière pour accéder plus facilement à la section des liquides.

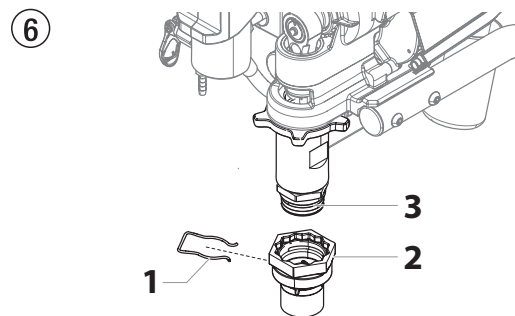
### 2.7.1 REMPLACEMENT DE LA SECTION DES LIQUIDES



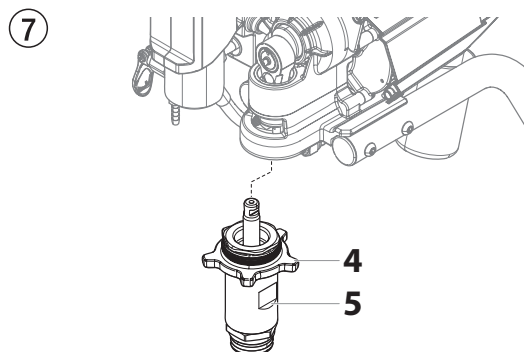
La section des liquides peut être retirée en une seule unité et remplacée. Suivez les étapes ci-dessous **UNIQUEMENT** si vous prévoyez de remplacer toute la section des liquides.

Pour tout type d'entretien des composants de la section des liquides, voir les sections 2.7.2 et 2.7.3.

1. Assurez-vous de suivre les étapes ci-dessus à la section 2.7.
2. Dévissez le tuyau de l'arrière du cylindre de la section des liquides.
3. Retirez la agrafe de tige pousoir (Fig. 6, élément 1) faites glisser la tige pousoir de la logement (2) de la soupape retenue (3).



4. Desserrez le contre-écrou (Fig. 7, élément 4) du carter de la pompe pour libérer toute la section des liquides (5). Tapotez le contre-écrou avec un maillet pour le desserrer.
5. Faites glisser la section des liquides vers l'avant jusqu'à ce que la tige de piston soit sortie de la fente en T sur l'ensemble coulissant et retirez l'ensemble de la section des liquides (5).



6. Installez la nouvelle section des liquides en inversant les étapes ci-dessus.

## 2.7.2 MAINTENANCE DES SOUPAPES

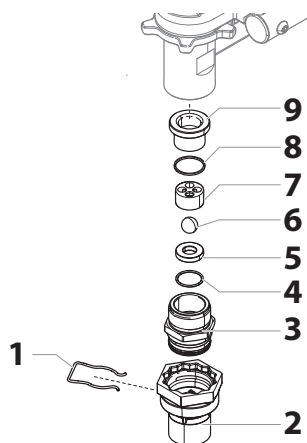


**La conception de la section des liquides du vaporisateur fait en sorte qu'on peut accéder aux soupapes de retenue et de sortie, de même qu'à leur siège respectif, sans avoir à démonter toute la section.**

**Il arrive que ces soupapes soient mal assises à cause de débris accumulés; en suivant les directives ci-dessous, on peut les nettoyer et inverser ou remplacer leur siège.**

1. Retirez la agrafe de tige poussoir (Fig. 8, élément 1) faites glisser la tige poussoir de la logement (2) de la soupapede retenue (3).
2. Au moyen d'une clé, desserrer et retirer le logement de la soupape de retenue (3) du cylindre.

8

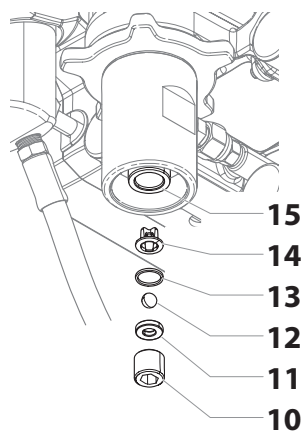


3. Enlever tous les débris dans le logement (3) et examiner les composants; si le siège (5) est endommagé, l'inverser ou le remplacer.
4. À l'aide d'une clé hexagonale de 0,8 cm (5/16 po), dévisser et retirer le logement de la soupape de retenue (Fig. 9, item 10) de la tige du piston (15).



**La tige du piston doit toujours être raccordée à la pompe quand on effectue l'entretien de la soupape de sortie; ce faisant, on évitera que la tige pivote lorsqu'on démonte la soupape.**

9



5. Nettoyez tous les débris et examinez le dispositif de retenue de la soupape de sortie (10) et le siège (11). Si le siège est endommagé, inversez-le ou remplacez-le.
6. Retirez, nettoyez et inspectez la cage de sortie (14), la rondelle de compression (13) et la bille de soupape de sortie (12). Remplacez-les s'ils sont usés ou endommagés.



**La sortie de cage doit toujours être utilisé avec la rondelle d'écrasement. Ils sont inclus dans l'assemblage P/N 704-642.**

7. Remonter les soupapes en reprenant les étapes ci-dessus à l'envers.



**Pendant le remontage de la soupape, appliquer une goutte de Loctite (inclus dans le kit de remballage) pour les fils de la sortie soupape de retenue (10) avant de les assembler dans la tige de piston (15). Couple de la retenue à 144 in./lbs. (12 ft./lbs.).**



**Se servir de la rainure en T de la bielle pour retenir la tige du piston quand on serre le logement de la soupape.**



Attention

**On ne doit jamais se servir d'une clé pour serrer le piston lui-même, ce qui pourrait l'endommager et entraîner des fuites.**

## 2.7.3 REMPLACEMENT DES TAMPONS GRAISSEURS

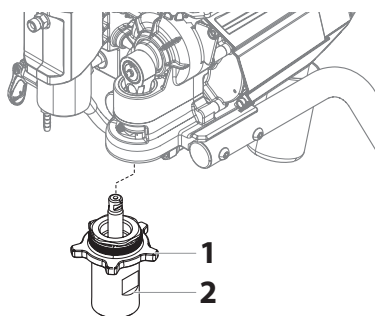
1. Retirer les soupape de retenue en suivant les directives de la section "Maintenance des soupapes" ci-dessus (Section 2.7.2).



**La valve de sortie n'a pas besoin d'être démonté à partir de la tige de piston pour cette procédure.**

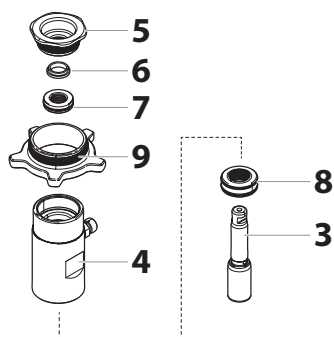
2. À l'aide d'une clé de 11/16 po, retirez le tuyau de l'arrière de la section des liquides.
3. Desserrez le contre-écrou (Fig. 10, élément 1) du carter de la pompe pour libérer toute la section des liquides (5). Appuyez sur le contre-écrou avec un maillet pour le desserrer.
4. Faites glisser la section des liquides vers l'avant jusqu'à ce que la tige de piston soit sortie de la fente en T sur l'ensemble coulissant et retirez l'ensemble de la section des liquides (2).

10



5. Glisser la tige du piston (3) hors de la partie inférieure du bloc cylindre (4).
6. À l'aide d'un étau sur les plats du cylindre (Fig. 9, élément 4), desserrez et retirez l'écrou de retenue de la garniture supérieure (5) et le guide-piston (6).
7. Retirer les tampons supérieur (7) et inférieurs (8) du cylindre

11



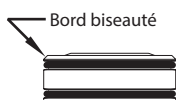
8. Nettoyer le cylindre et installer les nouveaux tampons supérieur et inférieurs (se reporter à Fig. 12 ci-dessous pour bien les orienter).

12

La partie surélevée et le joint torique du tampon supérieur doivent être vers le bas.



La bord biseauté doivent être vers le haut.



9. Inspecter la tige du piston pour y déceler toute trace d'usure et la remplacer au besoin.
10. Placez le contre-écrou (Fig. 11, élément 9) sur le cylindre (4).
11. Insérer le guide-piston (6) dans l'écrou de retenue (5) et visser fermement ce dernier à la main dans le cylindre.
12. Glisser l'outil guide-piston (inclus dans la trousse de remplacement des tampons) sur le dessus de la tige du piston (3), puis insérer cette dernière dans la partie inférieure du cylindre. À l'aide d'un maillet en caoutchouc, donner de petits coups au bas de la tige (3) jusqu'à ce qu'elle reprenne sa place dans le cylindre.



**Enduire de graisse l'outil guide-piston et la tige du piston avant de les insérer dans le cylindre.**

13. Au moyen d'une clé, serrer fermement l'écrou de retenue (5). Serrez à un couple de 300 po-lb.
14. Glisser le haut de la tige du piston dans la rainure en T de la bielle.
15. Enfiler le contre-écrou (9) dans l'ensemble pompe pour fixer la section des liquides à la pompe. Tapotez avec un maillet pour verrouiller en place.
16. Remonter la soupape de retenue dans le cylindre. Serrez à un couple de 300 po-lb.
17. Appliquez de la graisse sur le joint torique du clapet de pied et remplacez l'ensemble de la soupape de poussée. Fixez avec le clip. L'ensemble soupape de poussée doit faire face à l'arrière de la pompe selon un angle diagonal.
18. **Modèles du Support** - Insérer le coude du bloc d'aspiration dans la partie inférieure de la soupape de retenue. Positionner l'agrafe de retenue dans cette dernière de manière à fixer le bloc d'aspiration. Visser le flexible de retour dans le bloc pompe et serrer fermement.
19. Mettre le couvercle avant sur le logement de la pompe et le fixer au moyen des quatre vis prévues.
20. Mettre le vaporisateur en marche en suivant la procédure indiquée dans la section "Fonctionnement" du Mode d'emploi manuel pour s'assurer de l'absence de fuites.



**On peut se procurer une trousse de remplacement des tampons graisseurs (no 704-586), laquelle contient les éléments qui garantiront les meilleurs résultats pour cette procédure.**

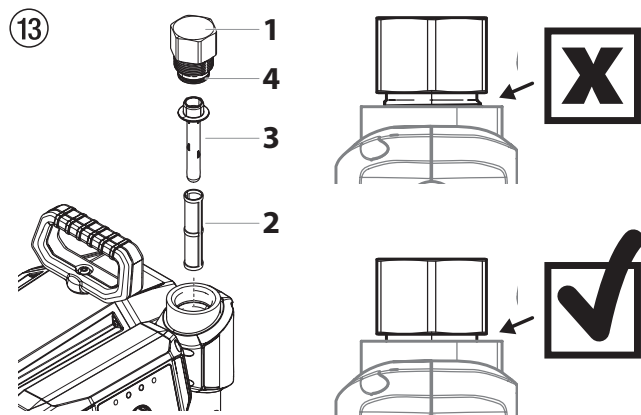
## 2.8 REMPLACEMENT DES FILTRES

### FILTRE DE POMPE

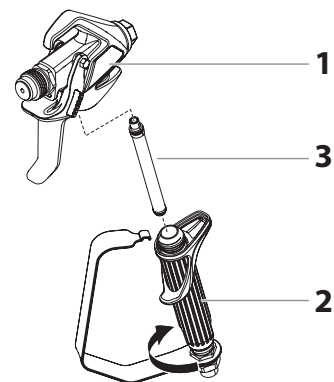
1. Desserrez et retirez le bouchon du filtre (Fig. 13, élément 1).
2. Retirez le filtre (2) du noyau du filtre (3).
3. Inspecter le filtre (2); le nettoyer ou le remplacer au besoin.
4. Inspectez le joint (4). En fonction de l'inspection, nettoyez, lubrifiez avec de l'huile ou remplacez le joint. *Si vous remplacez le joint, lubrifiez le nouveau joint avec de l'huile.*
5. Faites glisser le filtre neuf ou nettoyé sur le noyau du filtre (3).
6. Revissez le bouchon du filtre (1) sur le boîtier du filtre et serrez-le jusqu'à ce que les fonds du bouchon soient sortis.



**Assurez-vous que le logement du filtre est assise pleinement dans le bloc pompe. Une certaine résistance devrait être ressentie au début, mais continuez à serrer pendant environ 1,5 tour de plus jusqu'à ce que le bouchon soient sortis.**



14



**Pour obtenir plus de détails, se renseigner sur les numéros de pièce ou voir des dessins d'assemblage à plus grande échelle, se reporter au manuel de l'utilisateur du pistolet à dépression professionnel RX-80.**

### 2.9 LUBRIFICATION DE L'ENSEMBLE EXCENTRIQUE



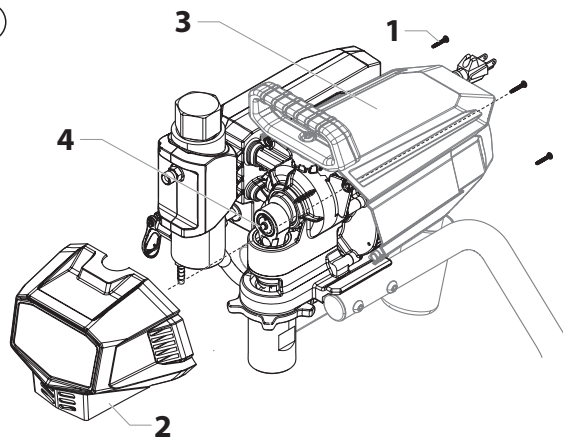
**Effectuez ces étapes environ tous les six mois.**

1. Desserrez et retirez les quatre vis (Fig. 1, élément 1) qui fixent le capot avant (2) au capot du moteur (3). Retirez le capot avant.
2. Nettoyez soigneusement tout matériau de pulvérisation séché qui pourrait s'être formé sur le capot avant.
3. Placez un pistolet à graisse sur le raccord de graisse de l'engrenage excentrique (4) et appliquez de la graisse jusqu'à ce qu'elle commence à suinter des roulements.

### FILTRE DE PISTOLET

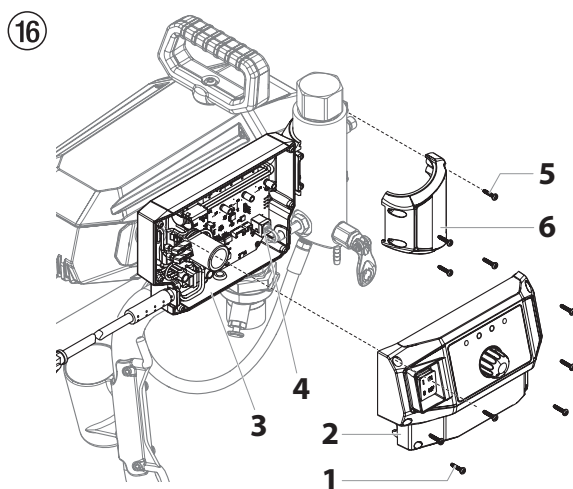
1. Détachez le dessus du pontet de la corps du pistolet (Fig. 14, élément 1).
2. En se servant de la partie inférieure du pontet comme clé, desserrez et enlevez l'ensemble de la poignée (2) de la tête du pistolet (1).
3. Extrayez le filtre (3) usagé de la corps du pistolet. Nettoyez ou remplacez.
4. Faites glisser le nouveau filtre, la partie fileté en premier, dans la corps du pistolet.
5. Placez le joint de la poignée dans la corps du pistolet avec la partie plate du joint vers la tête du pistolet. Serrez à l'aide de la clé de la détente.
6. Enclenchez à nouveau le pontet sur la corps du pistolet.

15

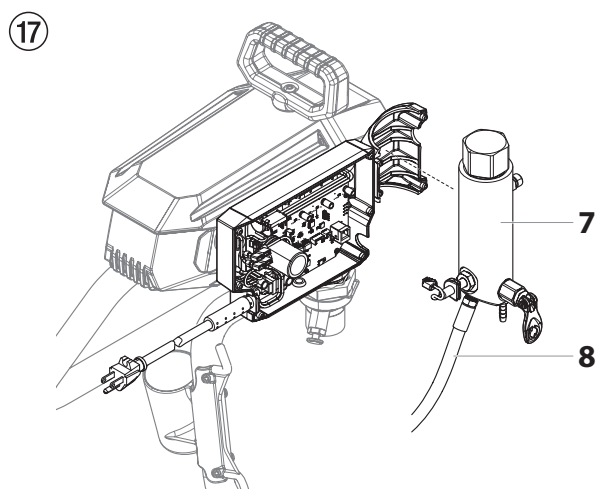


## 2.10 REMPLACER LE TABLEAU DE COMMANDE

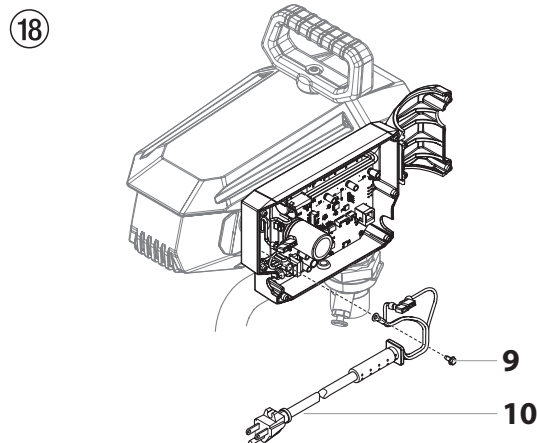
1. Effectuer la procédure de décompression et débrancher le pulvérisateur.
2. Desserrer et retirer les six vis (Fig. 16, item 1) qui fixent l'enceinte avant (2) au boîtier de commande principal (3).
3. Débrancher toutes les connexions par fil (fils moteur, potentiomètre, DEL, et interrupteur ON/OFF) de l'enceinte avant au tableau de commande (consulter le Schéma électrique, page 61).
4. Débrancher le fil de transducteur (4) du tableau de commande. L'œillet sortira une fois l'assemblage du filtre retiré, sauf pour une réinstallation.
5. Desserrer et retirer les quatre vis (5) qui fixent le couvercle de l'assemblage du filtre (6) au boîtier de commande principal (3).



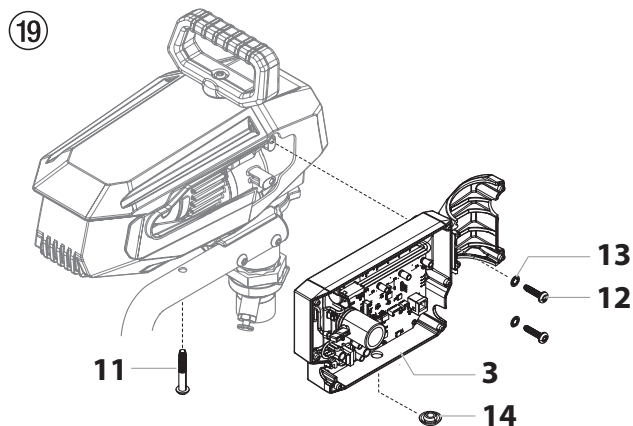
6. Retirer l'assemblage du filtre (7). Le tuyau à fluide (7) ne doit pas être retiré, mais prendre soin de ne pas l'endommager.



7. Au moyen d'une douille ou d'un tourne-écrou de 1/4po, retirer le fil de mise à la terre (Fig. 18, item 9). Débrancher les connexions de cordon d'alimentation (10) du tableau de commande. Retirer le cordon d'alimentation.



8. Desserrer et retirer le boulon (Fig. 19, item 11) qui fixe l'assemblage du boîtier de commande (3) au patin ou au chariot.
9. Desserrer et retirer les deux vis (12) et rondelles (13) qui fixent l'assemblage du boîtier de commande à l'unité principale.
10. Retirer le bouchon en caoutchouc (14) de l'ancien boîtier de commande. Réinstaller le bouchon en caoutchouc (14) de l'ancien boîtier de commande dans le nouveau boîtier de commande.



11. Réinstaller l'assemblage du nouveau boîtier de commande. Fixer au moyen des vis retirées aux étapes 8 et 9 ci-dessus.
12. Rebrancher le cordon d'alimentation au tableau de commande (voir Schéma électrique, page 61). Fixez à nouveau le fil de mise à la terre du cordon d'alimentation au moyen de la vis de mise à la terre (9).
13. Suivre les étapes précédentes en ordre inverse pour réinstaller les composants. Aligner l'assemblage du filtre (7) avec la surface plane de l'enceinte et faire glisser l'œillet dans l'enceinte (côté plat de l'œillet faisant face vers l'extérieur). Brancher le fil de transducteur dans le tableau de commande (voir Schéma électrique, page 61).
14. Rebrancher les connexions de fil (fils moteur, potentiomètre, DEL, et interrupteur ON/OFF) de l'enceinte avant (2) au tableau de commande (voir Schéma électrique, page 61).
15. Replacer l'enceinte avant (2) et fixer avec les six vis (1) fournies avec la commande de remplacement.
16. Replacer le couvercle du filtre (5) et le fixer au moyen des quatre vis (4) fournies avec la commande de remplacement.

### 3 DÉPANNAGE

PROBLÈME	CAUSE	SOLUTION
A. L'appareil ne fonctionne pas.	<ol style="list-style-type: none"> <li>L'appareil n'est pas branché.</li> <li>Fusible grillé.</li> <li>Le réglage de pression est trop bas (le bouton de commande de la pression au réglage minimum n'envoie pas de puissance au vaporisateur).</li> <li>Câblage défectueux ou débranché.</li> <li>Température excessive du moteur.</li> <li>Commutateur MARCHE/ARRÊT défectueux.</li> <li>Transducteur défectueux.</li> </ol>	<ol style="list-style-type: none"> <li>Brancher l'appareil.</li> <li>Remplacez le fusible (Type de fusible 3AB 15 AMP / 250V, P/N 800-929).</li> <li>Faire tourner le bouton de commande de la pression pour alimenter l'appareil et accroître la pression.</li> <li>Vérifier ou le faire réparer dans un centre d'entretien agréé par Titan.</li> <li>Laisser le moteur refroidir.</li> <li>Remplacer le commutateur MARCHE/ARRÊT.</li> <li>Remplacer le transducteur.</li> </ol>
B. L'appareil ne s'amorce pas.	<ol style="list-style-type: none"> <li>La soupape d'entrée est coincée.</li> <li>La soupape de PRIME/SPRAY est en position SPRAY.</li> <li>Fuite d'air dans le flexible du siphon/d'aspiration.</li> <li>Le filtre de la pompe et/ou le filtre d'entrée sont bouchés.</li> <li>Le flexible de siphon/d'aspiration est bouché.</li> </ol>	<ol style="list-style-type: none"> <li>Poussez complètement le tige de poussior.</li> <li>Faire tourner la soupape PRIME/SPRAY dans en position PRIME.</li> <li>Vérifier le branchement du flexible du siphon/d'aspiration et serrer ou recoller le raccord avec du ruban en PTFE.</li> <li>Démonter le filtre de la pompe et le nettoyer. Démontez le filtre d'entrée et le nettoyer.</li> <li>Démonter le flexible du siphon/d'aspiration et le nettoyer.</li> </ol>
C. La pression ne se fait pas dans l'appareil ou la pression n'est pas uniforme.	<ol style="list-style-type: none"> <li>L'embout d'aspiration est usé.</li> <li>L'embout d'aspiration est trop grand.</li> <li>Le bouton de commande de la pression n'est pas correctement fixé.</li> <li>Le filtre de la pompe, le filtre du pistolet ou le filtre d'entrée sont bouchés.</li> <li>Du produit s'échappe du flexible de retour lorsque la soupape de PRIME/SPRAY est en position SPRAY.</li> <li>Fuite d'air dans le flexible du siphon/le flexible d'aspiration.</li> <li>Il y a une fuite de liquide externe.</li> <li>Il y a une fuite interne dans la section des liquides (les tampons graisseurs sont usés et/ou sales, les clapets sont usés).</li> <li>Sièges de soupape usés.</li> <li>Le moteur démarre mais ne tourne pas.</li> </ol>	<ol style="list-style-type: none"> <li>Remplacer l'embout d'aspiration selon les consignes qui accompagnent le pistolet de vaporisation.</li> <li>Remplacer l'embout d'aspiration par un embout à moins large selon les consignes qui accompagnent le pistolet de vaporisation.</li> <li>Tourner le bouton dans le sens des aiguilles d'une montre pour augmenter la pression.</li> <li>Démonter le filtre de la pompe et le nettoyer. Retirer le filtre du pistolet et le nettoyer. Démontez le filtre d'entrée et le nettoyer.</li> <li>Nettoyer ou remplacer la soupape de PRIME/SPRAY.</li> <li><b>Modèles du chariot :</b> Vérifier le branchement du flexible du siphon/d'aspiration et serrer ou recoller le raccord avec du ruban en PTFE. <b>Modèles du support :</b> Vérifier et nettoyer/lubrifier les joints toriques sur la raccord de flexible d'aspiration.</li> <li>Vérifier qu'il n'y a pas de fuites externes dans tous les raccords. Resserer les raccords au besoin.</li> <li>Nettoyer les soupapes et la section des liquides selon la procédure "Maintenance de la Section des Liquides" décrite au chapitre Maintenance de ce manuel.</li> <li>Inverser ou remplacer les sièges de soupape selon la procédure "Maintenance de la Section des Liquides" décrite au chapitre Maintenance de ce manuel.</li> <li>Faire réparer dans un centre d'entretien agréé par Titan.</li> </ol>
D. Fuite de liquide dans la partie supérieure de la section des liquides.	<ol style="list-style-type: none"> <li>Les tampons graisseurs supérieurs sont usés.</li> <li>La tige du piston est usée.</li> </ol>	<ol style="list-style-type: none"> <li>Regarnir selon la procédure "Maintenance de la Section des Liquides" décrite au chapitre Maintenance de ce manuel.</li> <li>Remplacer la tige du piston selon la procédure "Maintenance de la Section des Liquides" décrite au chapitre Maintenance de ce manuel.</li> </ol>
E. Trop grand afflux au pistolet vaporisateur.	<ol style="list-style-type: none"> <li>Mauvais type de flexible de vaporisation sans air.</li> <li>L'embout d'aspiration est usé ou trop grand.</li> <li>Pression excessive.</li> </ol>	<ol style="list-style-type: none"> <li>Remplacer le flexible par un flexible de vaporisation de peinture sans air en tresse de textile de 1/4" et de 15m de longueur.</li> <li>Remplacer l'embout d'aspiration selon les consignes qui accompagnent le pistolet de vaporisation.</li> <li>Faire tourner le bouton de commande de la pression dans le sens inverse des aiguilles d'une montre pour réduire la pression d'évaporation.</li> </ol>
F. Forme de vaporisation incorrecte.	<ol style="list-style-type: none"> <li>L'embout d'aspiration est trop grand pour le produit utilisé.</li> <li>Mauvais réglage de pression.</li> <li>Sortie de liquide insuffisante.</li> <li>Le produit vaporisé est trop visqueux.</li> </ol>	<ol style="list-style-type: none"> <li>Remplacer l'embout d'aspiration par un embout neuf ou plus petit selon les consignes qui accompagnent le pistolet de vaporisation.</li> <li>Faire tourner le bouton de commande de la pression pour régler la pression sur une forme de vaporisation plus adapter.</li> <li>Nettoyer toutes les crépines et tous les filtres.</li> <li>Ajouter du solvant au produit selon les recommandations du fabricant.</li> </ol>
G. L'outil n'est pas alimenté électriquement.	<ol style="list-style-type: none"> <li>Le réglage de la pression est trop faible.</li> <li>Mauvaise tension d'alimentation.</li> </ol>	<ol style="list-style-type: none"> <li>Faire tourner le bouton de commande de la pression dans le sens des aiguilles d'une montre pour augmenter la pression.</li> <li>Rebrancher sur 120 V AC.</li> </ol>

### 3.1 MESSAGES D'ERREUR

En cas de dysfonctionnement du pulvérisateur, le voyant vert de fonctionnement du moteur clignote selon une cadence spécifique pour indiquer le type de dysfonctionnement. Voir ci-dessous pour une explication des motifs clignotants.

- Le a des clignotements suivant immédiatement la longue pause est le premier nombre
- Le nombre de clignotements suivant immédiatement la courte pause est le deuxième nombre
- Par exemple longue pause => 2 clignotements => courte pause => 1 clignotement = 21 (vérifier le transducteur)

Message d'erreur	Nombre de clignotements	Nombre de clignotements	Numéro d'erreur	Erreur/Défaut	Description
1	2	1	21	Vérifier le transducteur	Indique que le transducteur ne fonctionne pas correctement.
2	2	3	23	Vérifier le potentiomètre	Indique que le potentiomètre ne fonctionne pas correctement.
3	2	4	24	Charge mécanique élevée	Indique que l'unité voit une charge mécanique trop élevée (par exemple, une section des liquides gelés).
4	2	5	25	Température élevée du moteur	Indique que le moteur est arrêté en raison d'une chaleur excessive.
5	3	1	31	Température élevée du contrôleur	Indique que l'EPC est arrêté en raison d'une chaleur excessive.
6	3	2	32	Basse tension	Indique que la tension est inférieure à 60 volts. Le moteur essaiera de démarrer une fois, puis affichera la basse tension après 3 secondes.
7	3	4	34	Mauvaise puissance du cycle Hall	Indique que le moteur est arrêté en raison de problèmes de connexion entre le moteur et le contrôleur.
8	4	1	41	Vérifier le moteur	Indique que les capteurs du moteur ou du moteur Hall sont défectueux.
9	4	2	42	Moteur	Si la pompe a été stockée dans une zone froide, laissez la pompe se réchauffer et réessayez. Si cela ne corrige pas le problème, le capteur du moteur est défectueux et le moteur doit être remplacé.
13	Clignotement continu du voyant de fonctionnement du moteur			Surintensité du système	Arrêtez la pompe pendant une minute pour réinitialiser. Allumez et si le voyant clignote toujours, remplacez le contrôleur



## GARANTIE

Titan Tools, inc. (« Titan ») garantit qu'au moment de la livraison à l'acheteur original (« Utilisateur »), l'appareil couvert par la présente garantie sera exempt de défauts de matériaux et de fabrication. Les responsabilités de Titan en vertu de cette garantie se limitent au remplacement ou à la réparation sans frais des pièces dont on aura, à la satisfaction raisonnable de Titan, démontré la défectuosité dans un délai de 12 mois après la date d'achat par l'Utilisateur. Cette garantie ne s'applique que si l'appareil a été installé et utilisé conformément aux recommandations et directives de Titan.

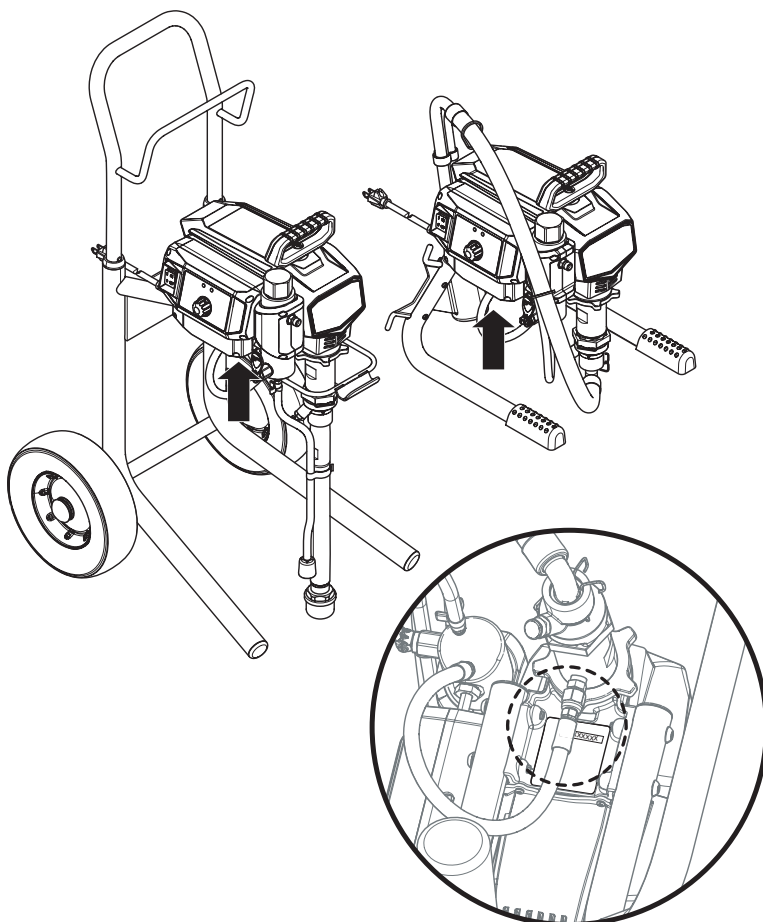
Cette garantie ne s'applique pas dans les cas d'endommagement ou d'usure engendrés par de l'abrasion, de la corrosion, un mauvais usage, de la négligence, un accident, une installation incorrecte, un remplacement par des composants non fournis par Titan ou toute intervention non autorisée apte à nuire au fonctionnement normal de l'appareil.

Les pièces défectueuses doivent être envoyées à un centre de service/vente Titan autorisé; les frais de transport, incluant le retour à l'usine, le cas échéant, doivent être défrayés à l'avance par l'Utilisateur. Une fois remplacées ou réparées, les pièces seront renvoyées à ce dernier par transport prépayé.

AUCUNE AUTRE GARANTIE EXPLICITE N'EST DONNÉE. PAR LES PRÉSENTES, TITAN SE DÉGAGE DE TOUTE AUTRE GARANTIE IMPLICITE, INCLUANT, SANS TOUTEFOIS S'Y LIMITER, LES GARANTIES DE COMMERCIALISABILITÉ ET D'ADAPTATION À UN USAGE PARTICULIER, DANS LES LIMITES PERMISES PAR LA LOI. LA DURÉE DES GARANTIES IMPLICITES NE POUVANT ÊTRE DÉCLINÉES SE LIMITE À LA PÉRIODE INDIQUÉE DANS LA GARANTIE EXPLICITE. LES RESPONSABILITÉS DE TITAN NE SAURAIENT EN AUCUN CAS SE CHIFFRER À UN MONTANT SUPÉRIEUR À CELUI DU PRIX D'ACHAT, ET CELLES RELATIVES AUX DOMMAGES CONSÉCUTIFS, ACCESSOIRES OU PARTICULIERS EN VERTU DE TOUTE GARANTIE SONT ÉGALEMENT DÉCLINÉES, DANS LES LIMITES PERMISES PAR LA LOI.

TITAN NE DONNE AUCUNE AUTRE GARANTIE EXPLICITE ET DÉCLINE TOUTE GARANTIE IMPLICITE DE COMMERCIALISABILITÉ ET D'ADAPTATION À UN USAGE PARTICULIER RELATIVEMENT AUX ACCESSOIRES, À L'ÉQUIPEMENT, AUX MATÉRIEAUX OU AUX COMPOSANTS VENDUS MAIS NON FABRIQUÉS PAR ELLE; CES ÉLÉMENTS (MOTEURS À ESSENCE, COMMULATEURS, FLEXIBLES, ETC.) SONT PLUTÔT SOUMIS, LE CAS ÉCHÉANT, AUX GARANTIES DE LEUR FABRICANT. TITAN S'ENGAGE À OFFRIR UN SOUTIEN RAISONNABLE AUX UTILISATEURS QUI FERONT DES RÉCLAMATIONS RELATIVES À L'INOBSERVATION DE CES GARANTIES.

### EMPLACEMENT DU NUMÉRO DE SÉRIE



### ENREGISTREMENT DU PRODUIT

Enregistrer votre appareil en ligne à [www.titantool.com](http://www.titantool.com).

Características	Soporte	Carro
Nombre	440	440
Núm. de modelo	2429069	2430510
<b>Datos técnicos</b>		
Capacidad (GPM)	0,54 (2,04 LPM)	0,54 (2,04 LPM)
Tamaño max. de soportes	0,023"	0,023"
Max presión de pulverización	22,8 MPa	22,8 MPa
Peso	13,6 kg	24,5 kg
Manguera, dimensión máxima	91,4 m	91,4 m
Suministro eléctrico	1.20 Brushless motor, 120 V, 60 Hz, 11.0 A	1.20 Brushless motor, 120 V, 60 Hz, 11.0 A
Requisitos eléctricos de generado	5000 W (desactivar característica de hacia abajo)	5000 W (desactivar característica de hacia abajo)
<b>Accesorios incluidos</b>		
Pistola	RX-80	RX-80
Boquilla de pulverización	HEA 517 (Num. de pieza 330-517)	HEA 517 (Num. de pieza 330-517)
Piston Lube (4 oz.)	Num. de pieza 314-481	Num. de pieza 314-481
Manguera	15 m, Num. de pieza 316-505	15 m, Num. de pieza 316-505
Filtro	60 malla, Num. de pieza 2424933	60 malla, Num. de pieza 2424933
<b>Manuales de instrucciones</b>		
Instrucciones de uso, (Núm de form 2431944)	Inglés / francés / español Incluido con la unidad y disponible en línea en <a href="http://www.titantool.com">www.titantool.com</a>	Inglés / francés / español Incluido con la unidad y disponible en línea en <a href="http://www.titantool.com">www.titantool.com</a>
Manual de mantenimiento, (Núm de form 2431945)	Inglés / francés / español disponible en línea en <a href="http://www.titantool.com">www.titantool.com</a>	Inglés / francés / español disponible en línea en <a href="http://www.titantool.com">www.titantool.com</a>
Instrucciones de uso, RX-80 (Núm de form 0538800)	Todos los idiomas Incluido con la unidad y disponible en línea en <a href="http://www.titantool.com">www.titantool.com</a>	Todos los idiomas Incluido con la unidad y disponible en línea en <a href="http://www.titantool.com">www.titantool.com</a>
<b>Conforma</b>		
	Se conforma con UL STD 1450. Certificadas para CAN/CSAC 22.2 NO 68.	Se conforma con UL STD 1450. Certificadas para CAN/CSAC 22.2 NO 68.
	<b>¡ADVERTENCIA! ADVERTENCIA DE LA PROPUESTA 65 DE CALIFORNIA</b> Este producto lo puede exponer a productos químicos, como el plomo, que el estado de California sabe que producen cáncer, defectos congénitos u otros daños reproductivos. Para obtener más información, visite <a href="http://www.P65warnings.ca.gov">www.P65warnings.ca.gov</a> .	

<b>1</b>	<b>NORMAS DE SEGURIDAD</b>	<b>36</b>
1.1	Explicación de los símbolos utilizados	36
1.2	Instrucciones para la conexión a tierra	36
1.3	Información eléctrica importante	36
1.4	Peligros para la seguridad	37
<b>2</b>	<b>MANTENIMIENTO</b>	<b>38</b>
2.1	Procedimiento para aliviar la presión	38
2.2	Notas generales de reparación y servicio	39
2.3	Reemplazo del motor	39
2.4	Reemplazo de los engranajes	40
2.5	Reemplazo del transductor	41
2.6	Reemplazo de la válvula de PRIME/SPRAY	41
2.7	Servicio a la sección de líquidos	42
2.7.1	Reemplazo de la sección de líquido	42
2.7.2	Servicio a las válvulas	43
2.7.3	Reemplazo de empaquetaduras de la sección de líquidos	44
2.8	Reemplazo de los filtros	45
2.9	Lubricar el conjunto excéntrico	45
2.10	Reemplazo del tablero de control	46
<b>3</b>	<b>PROCEDIMIENTO EN CASO DE AVERÍAS</b>	<b>47</b>
3.1	Mensajes de error	48
	<b>GARANTÍA</b>	<b>49</b>
	<b>ACCESORIOS Y PIEZAS DE RECAMBIO</b>	<b>50</b>
	Ensamblaje principal	50
	Ensamblaje del juego de succión	52
	Ensamblaje de la caja de engranajes	54
	Ensamblaje de la sección de líquidos	56
	Ensamblaje de carro	58
	Ensamblaje del filtro	60
	Esquema eléctrico	61
	<b>ACCESORIOS</b>	<b>62</b>

# 1 NORMAS DE SEGURIDAD

## 1.1 EXPLICACIÓN DE LOS SÍMBOLOS UTILIZADOS

El presente manual contiene información que deberá leer y comprender bien antes de utilizar el equipo. Cuando llegue a una sección que tenga uno de los siguientes símbolos, preste especial atención y asegúrese de que se cumplen las medidas de seguridad.



→ Este símbolo indica un peligro potencial que puede provocar lesiones graves e incluso la muerte. A continuación se incluye información importante de seguridad.



→ Este símbolo indica un peligro potencial para usted o para el equipo. A continuación se incluye información importante para evitar daños al equipo o evitar situaciones que podrían provocar lesiones de segundo orden.



→ Peligro de lesiones por inyección



→ Peligro de incendio



→ Peligro de explosión



→ Mezclas de vapores tóxicos y/o inflamables. Peligro de intoxicación y quemadura



→ Peligro de descarga eléctrica



→ Las notas añaden información importante a la que debe prestarse especial atención.

## 1.2 INSTRUCCIONES PARA LA CONEXIÓN A TIERRA

Este producto debe conectarse a tierra. En caso de un cortocircuito eléctrico, la conexión a tierra reduce el riesgo de choque eléctrico al aportar un alambre de escape para la corriente eléctrica. Este producto está equipado con un cable que tiene alambre a tierra con un enchufe a tierra adecuado. Debe usarse el enchufe para conectar a un receptáculo que esté debidamente instalado y conectado a tierra en conformidad con los códigos y las ordenanzas locales.



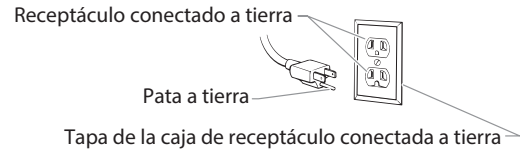
**ADVERTENCIA - La instalación incorrecta del enchufe a tierra puede ocasionar un riesgo de choque eléctrico.**

Si es necesario reparar o cambiar el cable o el enchufe, no conecte el cable verde a tierra a ninguno de las terminales de espiga plana. El cable con aislamiento de color verde por fuera con o sin rayas amarillas es el alambre a tierra y debe conectarse a la espiga a tierra.

Consulte a un electricista o técnico de servicio capacitado si las instrucciones para la conexión a tierra no se entienden claramente o si tiene dudas en cuanto a que el producto esté debidamente conectado

a tierra. No modifique el enchufe que se incluye. Si el enchufe no encaja en el receptáculo, pida a un electricista capacitado que instale un receptáculo adecuado.

Este producto es para utilizarse en un circuito de 120 voltios nominales y tiene un enchufe a tierra que tiene un aspecto similar al ilustrado más abajo. Asegúrese que el producto esté conectado a un tomacorriente que tenga la misma configuración que el enchufe. No deben utilizarse adaptadores para este producto.



## 1.3 INFORMACIÓN ELÉCTRICA IMPORTANTE

Use solamente un cable de extensión de 3 conductores que tenga un enchufe a tierra de 3 patas y un receptáculo de 3 ranuras que acepte el enchufe del producto. Revise que el cable de extensión esté en buen estado. Al utilizar un cable de extensión, fíjese que sea del calibre apto para transmitir la corriente que consume el producto.

Un cable de calibre insuficiente hará que baje el voltaje de la línea perdiendo potencia y produciendo sobrecalentamiento en la unidad. Se recomienda un cable de calibre 14 ó 12 (voir la tabla). Si se usa un cable de extensión en exteriores, debe estar marcado con el sufijo W-A después de la designación del tipo de cable. Por ejemplo, una designación SJTW-A indicaría que el cable sería apto para uso en exteriores.

Cable de calibre	Máximo de la longitud de la cable
12	46 m
14	31 m

## 1.4 PELIGROS PARA LA SEGURIDAD



### PELIGRO: LESIÓN CAUSADA POR INYECCIÓN

La corriente de líquido a alta presión que produce este equipo puede perforar la piel y tejidos interiores, pudiendo provocar graves lesiones e incluso hay posibilidad de amputación.

No trate una lesión por pulverización como una lesión de corte inocua. En caso de lesiones cutáneas por contacto con material de recubrimiento o disolvente, consultar inmediatamente a un médico para un tratamiento rápido y correcto. Informe al médico sobre el material de recubrimiento o disolvente utilizado.

### PREVENCIÓN:

- No apunte con la pistola ni pulverice sobre ninguna persona ni animal.
- Mantenga las manos y el resto del cuerpo lejos de la descarga. Por ejemplo, no trate de detener fugas con ninguna parte de su cuerpo.
- NUNCA ponga la mano frente a la pistola. Los guantes no protegen contra una lesión por inyección.
- SIEMPRE mantenga la protección de la boquilla en su sitio al rociar. La protección de la boquilla sirve principalmente de dispositivo de advertencia.
- Utilice solamente la boquilla especificada por el fabricante.

- Tenga cuidado al limpiar y cambiar las boquillas. Si la boquilla se atasca durante la pulverización, ponga SIEMPRE el seguro del gatillo de la pistola, apague la bomba y libere toda la presión antes de reparar, limpiar el protector o la boquilla o cambiar la boquilla. La presión no se libera apagando el motor. Para liberar la presión hay que poner la manija de la válvula PRIME/SPRAY en PRIME. Consulte el Procedimiento de Alivio de Presión que se describe en el manual de la bomba.
- No deje el aparato con corriente ni con presión cuando nadie esté pendiente de ella. Cuando no utilice el aparato, apáguelo y libere la presión siguiendo las instrucciones del fabricante.
- La pulverización a alta presión puede inyectar toxinas en el cuerpo y producir daños graves en el mismo. En caso de que esto ocurra, visite a un médico inmediatamente.
- Compruebe las mangueras y las piezas en busca de daños; una fuga puede inyectar material en la piel. Inspeccione la manguera antes de cada uso. Sustituya las mangueras o las piezas dañadas. Por razones de funcionamiento, seguridad y duración, emplear únicamente mangueras de alta presión originales de TITAN.
- Este sistema es capaz de producir 3300 PSI / 22,8 MPa. Utilice solamente piezas de repuesto o accesorios especificados por el fabricante y con una capacidad nominal de 3300 PSI como mínimo. Entre ellos se incluyen boquillas pulverizadoras, protectores para las boquillas, pistolas, alargadores, racores y mangueras.
- Ponga siempre el seguro del gatillo cuando no esté pulverizando. Verifique que el seguro del gatillo funciona correctamente.
- Antes de utilizar el aparato, verifique que todas las conexiones son seguras.
- Aprenda a detener el aparato y a liberar la presión rápidamente. Familiarícese a conciencia con los controles. La presión no se libera apagando el motor. Para liberar la presión hay que poner la manija de la válvula PRIME/SPRAY en PRIME. Consulte el Procedimiento de Alivio de Presión que se describe en el manual de la bomba.
- Quite siempre la boquilla pulverizadora antes de enjuagar o limpiar el sistema.



**NOTA PARA EL MÉDICO: La inyección a través de la piel es una lesión traumática. Es importante tratar la lesión tan pronto sea posible. NO retrase el tratamiento para investigar la toxicidad. La toxicidad es un factor a considerar con ciertos revestimientos inyectados directamente en la corriente sanguínea. Puede ser aconsejable consultar con un cirujano plástico o un cirujano especialista en reconstrucción de las manos.**



## PELIGRO: EXPLOSIONES E INCENDIOS

Los vapores inflamables, como los vapores de las pinturas y los solventes, pueden encenderse o explotar en el área de trabajo.



### PREVENCIÓN:

- No pulverice materiales inflamables ni combustibles cerca de llamas desnudas, pilotos o fuentes de ignición como objetos calientes, cigarrillos, motores, equipos eléctricos o electrodomésticos. Evite producir chispas al conectar y desconectar los cables de alimentación.
- Tenga muchísimo cuidado al usar materiales cuyo punto de ignición sea inferior a 38 °C (100 °F). El punto de inflamación es la temperatura a la que un fluido puede producir vapor suficiente como para incendiarse.

- La pintura o disolvente que pase por el equipo puede producir electricidad estática. La electricidad estática supone un riesgo de incendio o explosión en presencia de emanaciones de pintura o disolvente. Todas las piezas del sistema pulverizador, incluyendo la bomba, el conjunto de mangueras, la pistola pulverizadora y los objetos dentro y alrededor de la zona de pulverización se conectarán a tierra para protegerlos frente a descargas estáticas y chispas. Utilice solamente mangueras para pulverizadores de pintura airless (sin aire) de alta presión conductoras o con toma a tierra especificadas por el fabricante.
- Compruebe que todos los recipientes y sistemas de recogida están conectados a tierra para evitar descargas eléctricas.
- No utilice pintura o disolvente que contenga hidrocarburos halogenados, como cloro, fungicida blanqueador, cloruro de metileno y tricloroetano. No son compatibles con el aluminio. Póngase en contacto con el proveedor del material para conocer su compatibilidad con el aluminio.
- Mantenga la zona de pulverización bien ventilada. Asegúrese de que circula aire fresco por la zona para evitar que se acumulen vapores inflamables en el aire de la zona de pulverización. Ponga el conjunto de la bomba en una zona bien ventilada. No pulverice el conjunto de la bomba.
- No fume en la zona de pulverización.
- No encienda interruptores de luces, motores ni productos similares que puedan producir chispas en la zona de pulverización.
- Mantenga la zona limpia y despejada de botes de pintura y disolventes, trapos y otros materiales inflamables.
- Infórmese del contenido de la pintura y de los disolventes que pulverice. Lea las hojas de datos sobre seguridad de los materiales (SDS) y las etiquetas en los botes de pintura y disolvente. Siga las instrucciones de seguridad del fabricante de la pintura y del disolvente.
- Coloque la bomba al menos a 6,1 metros (20 pies) del objeto que se va a pulverizar en una zona bien ventilada (añada más manguera si fuera necesario). Los vapores inflamables suelen ser más pesados que el aire. La zona del suelo debe estar muy bien ventilada. La bomba contiene piezas que forman arcos que producen chispas y pueden inflamar los vapores.
- El plástico puede producir chispas estáticas. Nunca utilice plástico para cercar la zona de pulverización. No utilice cortinas de plástico mientras pulveriza material inflamable.
- Deberá contar con equipos extintores de incendios que funcionen correctamente.



## PELIGRO: MANGUERA DE ALTA PRESIÓN

En la manguera de pintura pueden aparecer fugas a causa del desgaste, de retorcimientos o de un mal uso. Una fuga puede proyectar material hacia la piel. Revise siempre la manguera antes de usarla.

### PREVENCIÓN:

- Evitar doblar mucho o plegar la manguera de alta presión, radio de flexión mínimo, aprox. 20 cm.
- No pasar por encima de la manguera de alta presión, protegerla contra contactos con objetos agudos y cantos cortantes.
- Sustituir inmediatamente la manguera de alta presión dañada.
- ¡No reparar nunca una manguera de alta presión defectuosa!
- La carga electrostática de la pistola de pulverización y la manguera de alta presión se descarga a través de la manguera de alta presión. Por esa razón, la resistencia eléctrica entre los empalmes de la manguera de alta presión debe ser igual o menor a un Megaohm.

- Por razones de funcionamiento, seguridad y duración, emplear únicamente mangueras de alta presión originales de Titan.
- Cada vez que vaya a utilizar el equipo, compruebe antes todas las mangueras en busca de cortes, fugas, abrasión o bultos en la cubierta. Compruebe el movimiento de los acoplamientos y si están dañados. Sustituya inmediatamente una manguera si descubre alguna de estas anomalías. No repare nunca una manguera de pintar. Sustitúyala por una manguera a alta presión puesta a tierra.
- Asegúrese de que la manguera de aire y las mangueras de pulverización estén dispuestos de forma que minimicen el peligro de deslizamientos, tropiezos y caídas.



### PELIGRO: VAPORES PELIGROSOS

Las pinturas, disolventes, y otros materiales pueden ser perjudiciales si se inhalan o entran en contacto con el cuerpo. Los vapores pueden provocar náuseas intensas, desmayos o envenenamiento.

#### PREVENCIÓN:

- Ponerse una careta respiratoria durante los trabajos de pulverización. Lea todas las instrucciones facilitadas con la mascarilla para asegurarse de que proporciona toda la protección necesaria.
- Se deben respetar todas las normas de seguridad con respecto a la protección contra vapores dañinos.
- Lleve gafas protectoras.
- Para proteger la piel se necesitan especialmente ropa protectora, guantes y, si es necesario, crema cutánea de protección. Prestar atención a las prescripciones de los fabricantes con respecto a materiales de recubrimiento, disolventes y agentes limpiadores durante la preparación, el tratamiento y la limpieza de los aparatos.



### PELIGRO: GENERAL

Pueden producirse lesiones graves o daños materiales.

#### PREVENCIÓN:

- Cuando pinte, lleve siempre guantes, protección para los ojos, ropa y un respirador o máscara adecuados.
- Nunca utilice el aparato ni pulverice cerca de niños. Mantenga el equipo alejado de los niños en todo momento.
- No se estire demasiado ni se apoye sobre un soporte inestable. Mantenga los pies bien apoyados y el equilibrio en todo momento.
- No se distraiga y tenga cuidado con lo que hace.
- No utilice el aparato si está fatigado o se encuentra bajo la influencia del alcohol o de las drogas.
- No retuerza ni doble la manguera en exceso. En la manguera airless pueden aparecer fugas a causa del desgaste, de retorcimientos o de un mal uso. Una fuga puede inyectar material en la piel.
- No exponga la manguera a temperaturas o presiones que superen las especificadas por el fabricante.
- No utilice la manguera como elemento de fuerza para tirar del equipo o levantarlo.
- Utilice la presión más baja posible para enjuagar el equipo.
- Cumpla todos los reglamentos locales, estatales y nacionales pertinentes relativos a ventilación, prevención de incendios y funcionamiento.
- Las normas sobre seguridad del gobierno de los Estados Unidos se han adoptado al amparo de la Ley de salud y seguridad ocupacional (OSHA). Deben consultarse tres normas, particularmente la sección

1910 de las Normas generales y la sección 1926 de las Normas sobre construcción.

- Cada vez que vaya a utilizar el equipo, compruebe antes todas las mangueras en busca de cortes, fugas, abrasión o bultos en la cubierta. Compruebe el movimiento de los acoplamientos y si están dañados. Sustituya inmediatamente una manguera si descubre alguna de estas anomalías. No repare nunca una manguera de pintura. Sustitúyala por una manguera conductora a alta presión.
- No pulverice al aire libre si hace viento.
- Desenchufe siempre el cable antes de trabajar en el equipo.

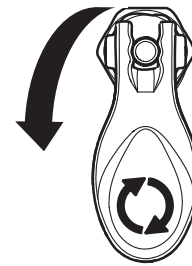
## 2 MANTENIMIENTO

### 2.1 PROCEDIMIENTO PARA ALIVIAR LA PRESIÓN

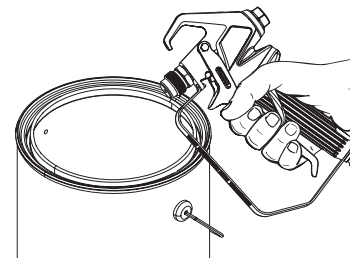


**No deje de seguir el procedimiento para aliviar la presión cuando apague la unidad por cualquier motivo, incluso el servicio o ajuste de alguna pieza del sistema de rociado, cambio o limpieza de las puntas rociadoras o la preparación para la limpieza.**

1. Bloquee la pistola mueva el seguro del gatillo de la pistola a la posición bloqueada.
2. Apague la unidad moviendo el interruptor de ON/OFF a la posición OFF.
3. Gire completamente la perilla de control de presión en sentido contrario al de las agujas del reloj hasta el ajuste de presión más bajo.
4. Mueva hacia abajo la válvula PRIME/SPRAY a la posición PRIME.



5. Desbloquee la pistola girando el seguro del gatillo de la pistola a la posición liberada.
6. Sostenga firmemente la parte metálica de la pistola contra el lado de un recipiente metálico para conectar a tierra la pistola y evitar la acumulación de electricidad estática.



7. Accione el gatillo para aliviar toda presión que haya quedado en la manguera.
8. Bloquee la pistola mueva el seguro del gatillo de la pistola a la posición bloqueada.

## 2.2 NOTAS GENERALES DE REPARACIÓN Y SERVICIO

Se necesitan las herramientas siguientes para reparar el rociador:

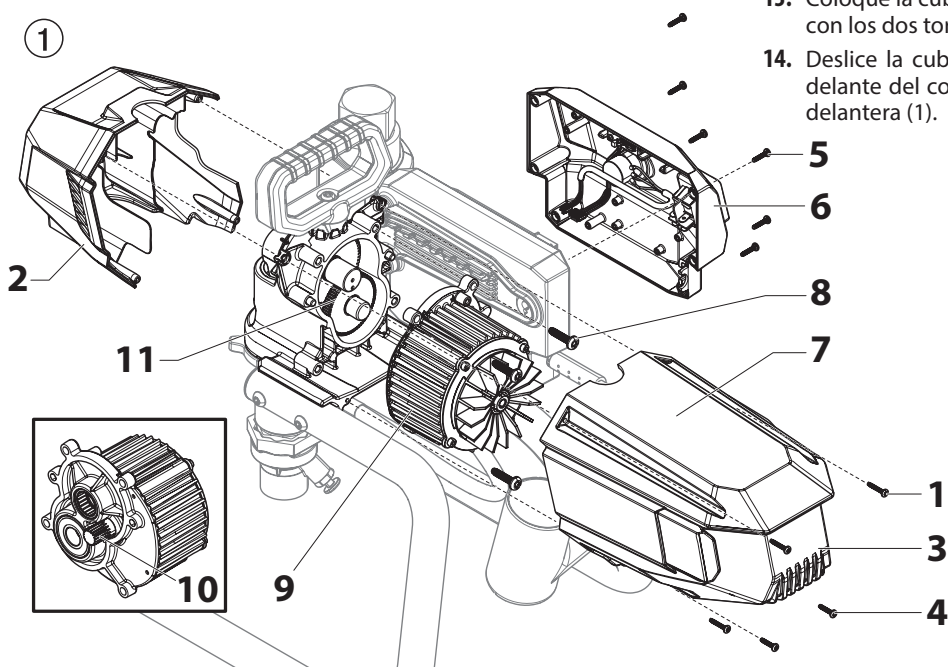
Alicates de punta	Llave de boca de 7/16"
Llave ajustable	Llave de boca de 11/16"
Mazo de goma	Llave de boca de 3/4"
Destornillador T15	Llave de boca de 13/16"
Destornillador T30	Destornillador para tuercas de 1/4"
Destornillador T40	

1. Antes de reparar alguna parte del rociador, lea minuciosamente las instrucciones, incluidas todas las advertencias.



**Nunca tire del cable para desconectarlo. Al hacerlo podría soltarse el conector del cable.**

2. Pruebe su reparación antes de usar rociador normalmente para verificar que se haya resuelto el problema. Si el rociador no funciona bien, revise el procedimiento de reparación para determinar si todo se ha realizado en forma correcta. Consulte los cuadros de Solución de problemas para ayudar a identificar otros problemas posibles.
3. Compruebe que el área de servicio esté bien ventilada en caso de que se estén utilizando solventes durante la limpieza. Al hacer el mantenimiento siempre use gafas de protección. Puede que se necesite equipo protector adicional dependiendo del tipo de solvente de limpieza. Siempre pida recomendaciones al proveedor de solventes.
4. Si tiene otras preguntas referentes al rociador Titan, llame a Titan: Servicio al cliente (EE.UU.)..... **1-800-526-5362**



## 2.3 REEMPLAZO DEL MOTOR

1. Siga el "Procedimiento de alivio de presión" y desenchufe la unidad.
2. Suelte y quite los cuatro tornillos (Fig. 1, elemento 1) que sostienen la cubierta delantera (2) a la cubierta del motor (3). Quite la cubierta delantera.
3. Suelte y quite los dos tornillos (4) que sostienen la cubierta del motor a la carcasa principal. Quite la cubierta del motor (3).
4. Retire los seis tornillos de montaje del panel de control (5). Retire el panel de control (6) para el acceso al panel de control bordo.
5. En el panel de control bordo, desconecte los dos alambres procedentes del motor. (consulte el esquema eléctrico en la sección de la Lista de piezas de este manual, página 61).
6. Suelte y retire los cuatro tornillos de montaje del motor (8). Use un destornillador T30.
7. Extraiga el motor (9) de la caja de la bomba.



**Si el motor no se libera de la caja de la bomba:**

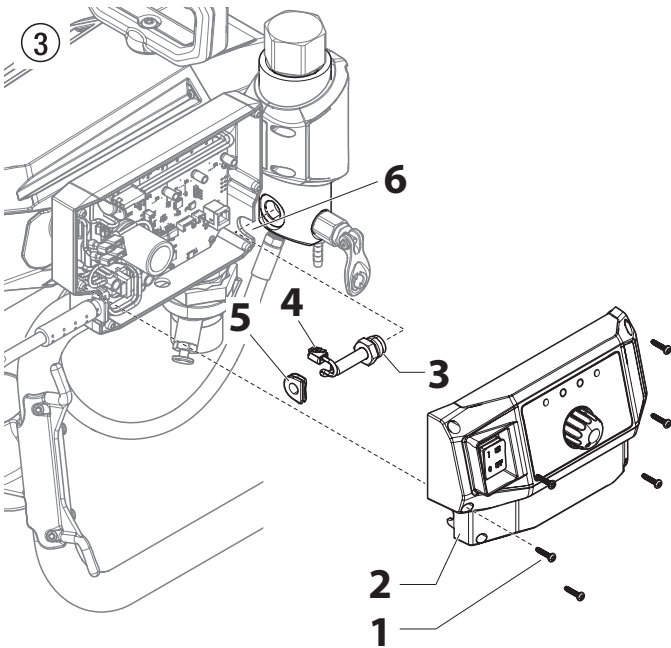
- Retire la placa de cubierta frontal.
  - Usando un mazo de goma, golpee cuidadosamente en la parte frontal del cigüeñal del motor que se extiende a través de la vara conectora.
8. Una vez retirado el motor, inspeccione para ver si hay daños o desgaste excesivo de los engranajes en la caja de la bomba (11). Si es necesario reemplace los engranajes (Consulte Reemplazo de engranajes, página 40). Aplique grasa al engranaje del pistón y los rodamientos.
  9. Instale el motor (9) nuevo en la caja de la bomba.
  10. Asegure el motor (9) con sus cuatro tornillos de montaje (8). Apriete de 100 - 110 pulg.-lb.
  11. Vuelva a conectar los alambres (consulte el esquema eléctrico en la sección de la Lista de piezas de este manual, página 61). Aplique grasa dieléctrica a las conexiones.
  12. Coloque el panel de control (6) de la bomba de vivienda y seguro en la posición con los seis tornillos de montaje del panel de control (5).
  13. Coloque la cubierta del motor (3). Asegure la cubierta del motor con los dos tornillos correspondientes (4).
  14. Deslice la cubierta delantera (2) en su lugar sobre la parte de delante del colector. Fije con los cuatro tornillos de la cubierta delantera (1).





## 2.5 REEMPLAZO DEL TRANSDUCTOR

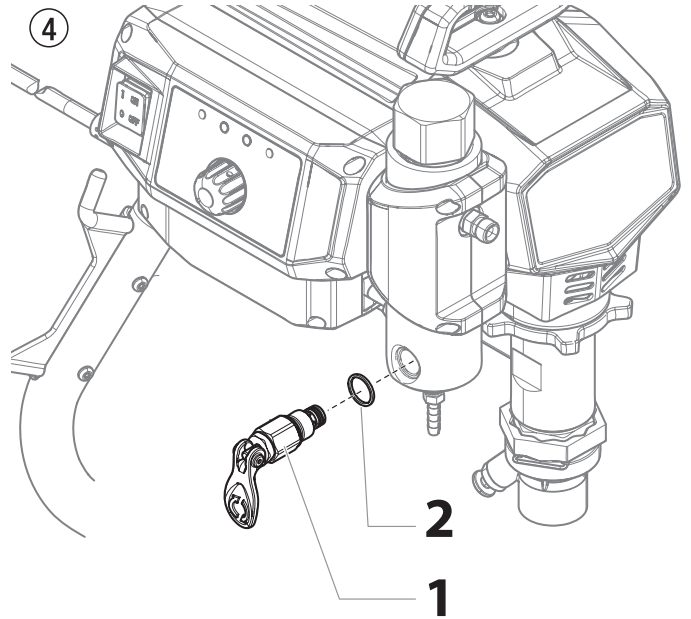
1. Con un destornillador T15, quite los seis tornillos de montaje del panel de control (Fig. 3, elemento 1). Retire la cubierta del panel de control (2) para acceder al tablero del panel de control.
2. Ahora debería estar expuesto el transductor (3). Desconecte el cable del transductor (4) del tablero de control.
3. Con una llave de 3/4", quite el conjunto del transductor del bloque del filtro.
4. Aplique grasa a las roscas y junta tórica del nuevo transductor antes de la instalación.
5. Enrosque el conjunto del transductor (3) en el bloque del filtro. Apriételo con una llave (300-360 pulg.-lb.). Asegúrese de reinstalar el ojal (5) en la ranura del conjunto del tablero de control (6) con el extremo redondeado instalado dentro de la ranura.
6. Aplique grasa dieléctrica a la toma del cable del nuevo transductor (4). Conecte el cable del transductor (4) en el tablero de control.
7. Con un destornillador T15, reemplace la cubierta del panel de control (2) y fíjela con los seis tornillos de montaje del panel de control (1). Apriete a 15 pulg.-lb. en un patrón entrecruzado.



## 2.6 REEMPLAZO DE LA VÁLVULA DE PRIME/SPRAY

Usando el juego de reemplazo de la válvula PRIME/SPRAY N/P 700-258 realice el procedimiento a continuación.

1. Con una llave, suelte y retire la caja de la válvula (Fig. 4, elemento 1).
2. Aplique grasa a las roscas de la nueva válvula de PRIME/SPRAY (Cebado/Pulverización) antes de la instalación.
3. Fíjese que la empaquetadura (2) esté en su sitio y atornille la caja de la válvula nueva en el bloque de la bomba. Apriete a 25 pies.-lb. en un patrón entrecruzado



## 2.7 SERVICIO A LA SECCIÓN DE LÍQUIDOS



Siga estos pasos antes de realizar cualquier mantenimiento en la sección de líquido.



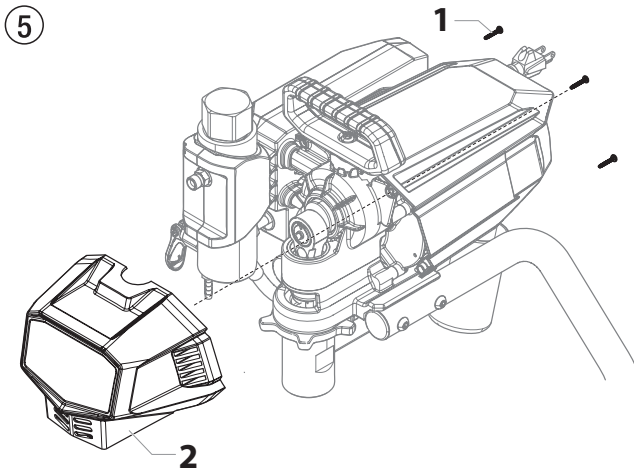
Antes de proceder, siga el Procedimiento de alivio de presión presentado anteriormente en este manual. Además, siga todas las otras advertencias para reducir el riesgo de una lesión por inyección, lesiones por piezas en movimiento o choque eléctrico. ¡Siempre desenchufe el rociador antes de darle servicio!

1. Suelte y quite los cuatro tornillos (Fig. 5, elemento 1) que sostienen la cubierta delantera (2) a la cubierta del motor (3). Quite la cubierta delantera



**Peligro de pellizco.** Asegúrese de mantener los dedos alejados de las partes móviles dentro de la bomba cuando se retire la cubierta.

2. Material pulverizado completamente limpio y seco que se puede haber formado en la cubierta delantera.



3. Asegúrese de que la bomba esté encendida (I) y el regulador de presión esté ajustado en una presión baja.
4. Active el **Modo muy lento** de la bomba (los pasos A-B siguientes se deben completar en una sucesión rápida). Esto facilitará pondrá al excéntrico y el pistón en su posición más baja, lo cual es necesario para hacer mantenimiento a la sección de líquido.
  - A En sucesión rápida, con el regulador de presión ajustado en una presión baja, gire el regulador de presión a la presión alta dos (2) veces, terminando con una presión baja. **(por ej. comience en Baja => suba a Alta => vuelva a Baja => suba a Alta => vuelva a Baja)**
  - B Gire el regulador de presión lentamente en sentido horario hasta que vea y escuche que el pistón se mueve muy lentamente.
5. Cuando el pistón llegue a la posición de punto muerto inferior, gire el regulador de presión completamente hacia la izquierda para bajar la presión hasta que el pistón deje de moverse.
6. Apague la energía (0) y desconecte el pulverizador.

7. Unidades de patín: Quite el sujetador de retención de la parte inferior del conjunto del vástago impulsor. Quite el conjunto de succión.
 

Para las unidades de transporte alto el tubo de succión puede mantenerse enroscado en el conjunto del vástago impulsor.
8. Incline la bomba hacia atrás para ingresar más fácilmente a la sección de líquido.

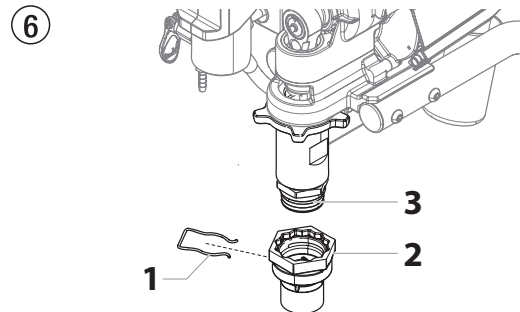
### 2.7.1 REEMPLAZO DE LA SECCIÓN DE LÍQUIDOS



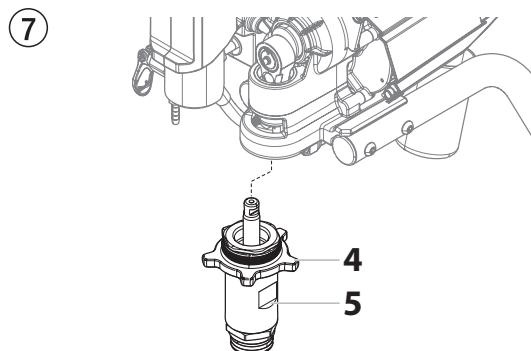
La sección de líquidos se puede quitar y reemplazar en una unidad. Siga los pasos que se indican a continuación SOLO si planea reemplazar la sección de líquidos completa.

Para cualquier tipo de mantenimiento a los componentes de la sección de líquidos, vea las secciones 2.7.2 y 2.7.3.

1. Asegúrese de completar los pasos anteriores de la sección 2.7.
2. Desenrosque la manguera de la parte trasera del cilindro de la sección de fluido.
3. Retire el sujetador de vástago impulsor (Fig. 6, elemento 1) y deslice la caja de vástago impulsor (2) de la caja de la válvula de pie (3)



4. Suelte la contratuerca (Fig. 7, elemento 4) de la caja de la bomba para liberar toda la sección de líquidos (5). Golpee suavemente la contratuerca con un mazo para soltarla.
5. Deslice la sección de líquidos hacia adelante hasta que la vara del pistón salga de la ranura en T en el conjunto de la vara conectora y quite todo el conjunto de la sección de líquido (5).



6. Instale una nueva sección de líquidos invirtiendo los pasos anteriores.

## 2.7.2 SERVICIO A LAS VÁLVULAS

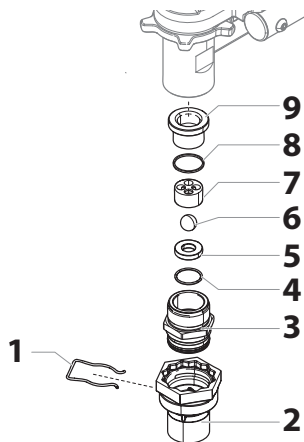


El diseño de la sección de líquido de Titan permite el acceso a la válvula de pie y su asiento así como también a la válvula de salida y su asiento sin necesidad de desmontar completamente la sección de líquido.

Es posible que las válvulas no se asienten correctamente debido a residuos atrapados en el asiento de la válvula de pie o en la válvula de salida. Use las instrucciones a continuación para limpiar las válvulas e invertir o reemplazar los asientos.

1. Retire el sujetador de vástago impulsor (Fig. 8, elemento 1) y deslice la caja de vástago impulsor (2) de la caja de la válvula de pie (3).
2. Con una llave, suelte y retire la caja de la válvula de pie (3) del cilindro.

8

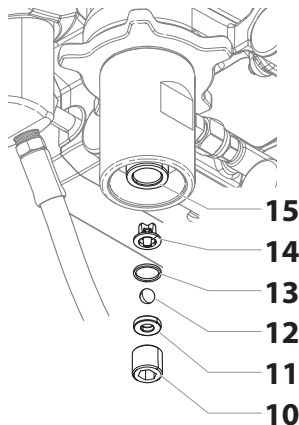


3. Limpie todo residuo de la caja de la válvula de pie (3) y examine la caja y el asiento (5) de la misma. Si el asiento está dañado, inviértalo o reemplácelo.
4. Usando una llave hexagonal de 5/16 de pulgada, suelte y retire la caja de la válvula de salida (Fig. 9, elemento 10) desde la vara del pistón (15).



Siempre dé servicio a la válvula de salida con la vara del pistón conectada a la bomba. Esto evitará que gire la vara del pistón durante el desmontaje de la válvula de salida.

9



5. Limpie los residuos y examine el retén (10) y el asiento (11) de la válvula de salida. Si el asiento está dañado, invierta o reemplace el asiento.
6. Quite, limpie e inspeccione la jaula de salida (14), la arandela de retención (13) y la bola de la válvula de salida (12). Reemplácelas si están desgastadas o dañadas.



La jaula de salida siempre se deben arandela de aplastar. Se incluyen en el montaje P/N 704-642.

7. Vuelva a montar las válvulas invirtiendo los pasos anteriores.



Durante el reensamblaje de la válvula de salida, Aplicar una gota de Loctite (incluido en el kit de reembalaje) a los hilos de la toma de corriente antes de la válvula de retención de vara el pistón. Par el retenedor a 144 in./lbs. (12 ft./lbs.).



Use la ranura en T de la vara conectora para sostener en su sitio la vara del pistón mientras asegura la caja de la válvula de salida.



Atención

Nunca use una llave en el pistón mismo. Esto podría dañar el pistón y causar fugas.

## 2.7.3 REEMPLAZO DE EMPAQUETADURAS DE LA SECCIÓN DE LÍQUIDOS

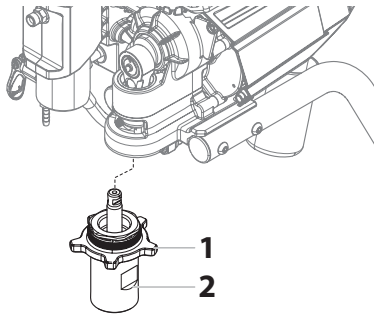
1. Quite los ensamblaje de la válvula de pie usando los pasos del procedimiento "Servicio de las válvulas" anterior (Sección 2.7.2).



**La válvula de salida no tiene que ser desmontada del vástago para este procedimiento.**

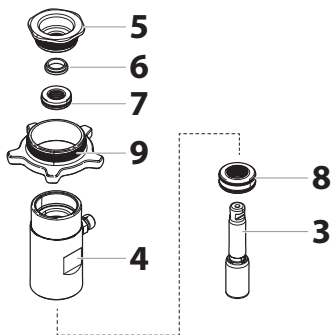
2. Con una llave de 11/16", quite la manguera de la parte trasera de la sección de líquidos.
3. Suelte la contratuerca (Fig. 10, elemento 1) de la caja de la bomba para liberar toda la sección de líquidos. Golpee suavemente la contratuerca con un mazo para soltarla.
4. Deslice la sección de líquidos hacia adelante hasta que el pistón salga de la ranura en T en el conjunto de la vara conectora y quite todo el conjunto de la sección de líquidos (2).

10



5. Deslice la vara del pistón (3) a través de la parte inferior del cilindro (4).
6. Usando una tenaza en las partes planas del cilindro (Fig. 11, elemento 4), suelte y quite la tuerca de retención de la empaquetadura superior (5) y la guía para pistón (6).
7. Retire las empaquetaduras superior (7) e inferior (8) del cilindro (4).

11



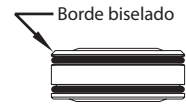
8. Limpie el cilindro e instale las empaquetaduras nuevas superior e inferior. Consulte la Figura 12 para ver la orientación correcta de las empaquetaduras.

12

Instale la empaquetadura superior con el reborde levantado y la junta tórica apuntando hacia abajo.



Instale la empaquetadura inferior con borde biselado hacia arriba.



9. Inspeccione la vara del pistón en busca de desgaste y cámbiela si es necesario.
10. Ubique la contratuerca (Fig. 11, elemento 9) sobre el cilindro (4).
11. Inserte la guía del pistón (6) en la tuerca de retención (5). Atornille la tuerca de retención (5) en el cilindro hasta que quede firme manualmente.
12. Deslice la herramienta de la guía del pistón (incluida en el juego para reemplazar empaquetaduras) sobre la parte superior de la vara del pistón (3) a través de la parte inferior del cilindro. Usando un mazo de goma, golpee la parte inferior de la vara del pistón (3) ligeramente hasta que ésta quede en posición dentro del cilindro.



**Recubra la herramienta de la guía del pistón y la vara del pistón con grasa antes de insertarlas en el bloque de la bomba.**

13. Usando una llave, apriete la tuerca de retención (5) firmemente. Apriete de 300 pulg.-lb.
14. Deslice la parte superior de la vara del pistón dentro de la ranura en T en la vara conectora.
15. Enrosque la contratuerca (9) en el conjunto de la bomba para fijar la sección de líquidos de la bomba. Tóquela con un mazo para fijarla en su lugar.
16. Vuelva a montar el ensamblaje de la válvula de pie en el cilindro. Apriete de 300 pulg.-lb.
17. Aplique grasa a la junta tórica en la válvula de pie y reemplace el conjunto de válvula impulsora. Fije con el sujetador. El conjunto de válvula impulsora debería enfrentar la parte trasera de la bomba en un ángulo en diagonal.
18. **Modelos de soporte** - Inserte el codo del ensamblaje del juego de succión dentro de la parte inferior de la válvula de pie. Ponga el soporte de retención en la válvula de pie para asegurar el conjunto de succión. Instale la manguera de retorno en el bloque de la bomba y apriete firmemente.
19. Ponga la cubierta frontal de la caja de la bomba y asegúrela en posición usando los cuatro tornillos de la cubierta frontal.
20. Encienda el rociador siguiendo el procedimiento de la sección "Operación" de Instrucciones de uso y revise si hay fugas.



**Se ofrece el juego para reemplazar empaquetaduras N/P 704-586. Para obtener óptimos resultados use todas las piezas suministradas en este juego.**

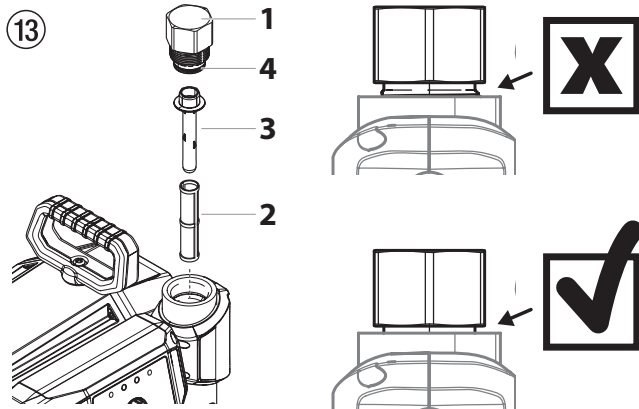
## 2.8 REEMPLAZO DE LOS FILTROS

### FILTRO DE LA BOMBA

1. Suelte y quite la tapa del filtro (Fig. 13, elemento 1).
2. Deslice el filtro (2) hacia afuera del núcleo del filtro (3).
3. Inspeccione el filtro (2). Según sea la inspección, limpie o reemplace el filtro.
4. Inspeccione el sello (4). Según sea la inspección, limpie o reemplace el sello. Si reemplaza el sello, lubrique el nuevo sello con aceite.
5. Deslice el filtro nuevo o limpio sobre el núcleo del filtro (3).
6. Enrosque la tapa del filtro (1) de vuelta en la carcasa del filtro y apriétela hasta que toque fondo.



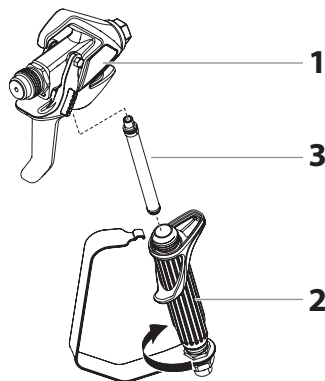
**Pero asegúrese de que el caja del filtro es de asientos plenamente en el bloque de la bomba. Al principio se debe sentir algo de resistencia, pero sigue apretando durante aproximadamente 1,5 vueltas más hasta que la tapa toque fondo.**



### FILTRO DE LA PISTOLA

1. Desenganche la parte superior del guardamonte desde el estructura de la pistola (Fig. 14, ítem 1).
2. Use la base del guardamonte como llave, suelte y retire el conjunto de la mango (2) del cabezal de la pistola.
3. Extraiga el filtro (3) viejo del estructura de la pistola. Limpie o reemplace.
4. Introduzca el nuevo filtro, con el extremo cónico primero, en el estructura de la pistola.
5. Enrosque el conjunto de la empuñadura en el estructura de la pistola hasta que quede bien sujeto. Apriete con la llave del gatillo.
6. Fije el guardamonte de vuelta en el conjunto del estructura de la pistola.

14



**Para ver mayores detalles, información de números de pieza y dibujos de montaje a mayor escala, consulte el manual del propietario de la pistola sin aire profesional RX-80.**

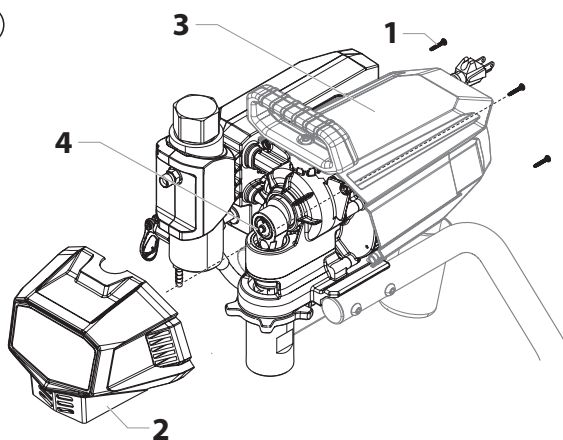
## 2.9 LUBRICAR EL CONJUNTO EXCÉNTRICO



**Siga los pasos a continuación aproximadamente cada seis meses.**

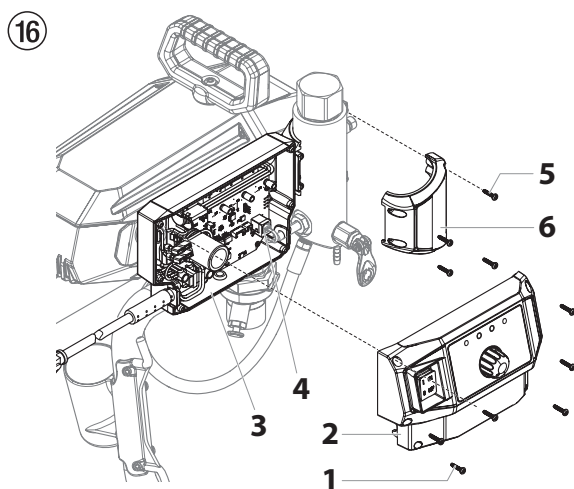
1. Suelte y quite los cuatro tornillos (Fig. 15, elemento 1) que sostienen la cubierta delantera (2) a la cubierta del motor (3). Quite la cubierta delantera.
2. Material pulverizado completamente limpio y seco que se puede haber formado en la cubierta delantera.
3. Ponga una pistola engrasadora sobre el engrasador del engranaje excéntrico (4) y aplique grasa hasta que comience a filtrarse por los rodamientos.

15

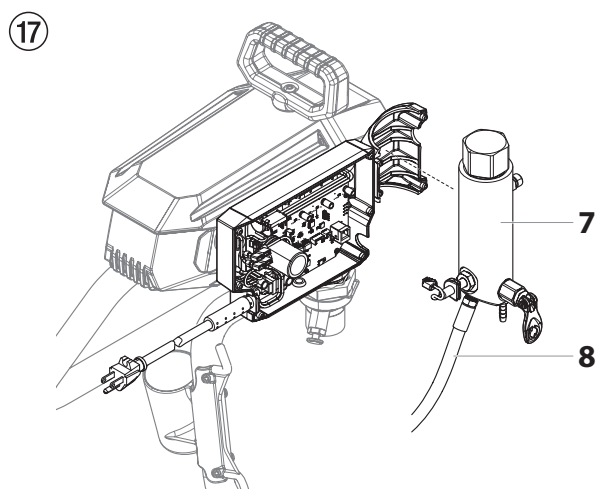


## 2.10 REEMPLAZO DEL TABLERO DE CONTROL

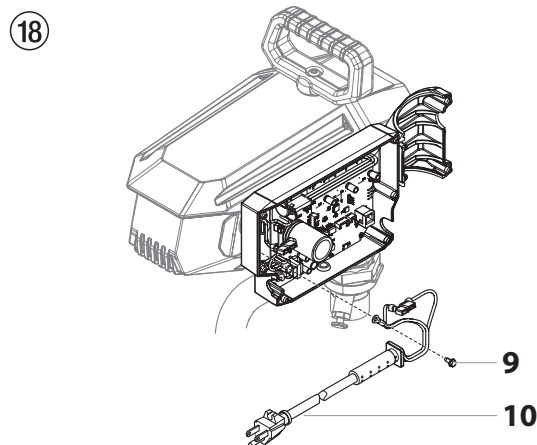
1. Realice el procedimiento de alivio de presión y desconecte el pulverizador.
2. Suelte y retire los seis tornillos (Fig. 16, elemento 1) que fijan la caja delantera (2) a la caja de control principal (3).
3. Desconecte todas las conexiones de cables (cables del motor, potenciómetro, LED e interruptor ENCENDIDO/APAGADO) que van de la caja delantera al tablero de control (consulte el Esquema eléctrico, página 61).
4. Desconecte el cable del transductor (4) del tablero de control. El prensaestopas se saldrá cuando se retire el conjunto de filtro. Guárdelo para la reinstalación.
5. Suelte y retire los cuatro tornillos (5) que fijan la cubierta del conjunto de filtro (6) a la caja de control principal (3).



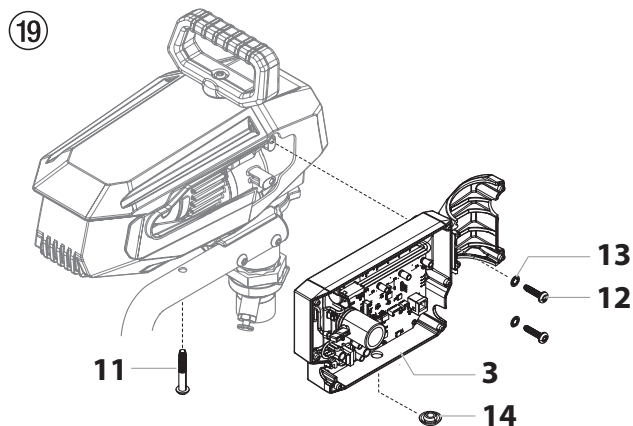
6. Retire el conjunto de filtro (7). No es necesario que retire la manguera de líquido (7), pero tenga cuidado de no dañarla.



7. Con una llave para casquillos o tuercas de 1/4", retire el cable de conexión a tierra (Fig. 18, elemento 9). Desconecte el cable de alimentación (10) del tablero de control. Desconecte el cable de alimentación.



8. Suelte y retire el perno (Fig. 19, elemento 11) que fija el conjunto de la caja de control (3) al patín o carro.
9. Suelte y retire los dos tornillos (12) y las arandelas (13) que fijan el conjunto de la caja de control a la unidad principal.
10. Retire el tapón de goma (14) de la caja de control antigua. Reinstale el tapón de goma (14) de la caja de control antigua en la caja nueva.



11. Reinstale el nuevo conjunto de caja de control. Fíjelo con los tornillos que retiró en los pasos 8 a 9 anteriormente.
12. Vuelva a conectar el cable de alimentación al tablero de control (consulte el Esquema eléctrico, página 61). Vuelva a fijar el cable de conexión a tierra del cable de alimentación con el tornillo de conexión a tierra (9).
13. Invierta los pasos previos para reinstalar los componentes. Alinee el conjunto de filtro (7) con la cara plana en la caja y deslice el prensaestopas hacia el interior de la caja (la cara plana del prensaestopas orientada hacia afuera). Conecte el cable del transductor al tablero de control (consulte el Esquema eléctrica, página 61).
14. Vuelva a conectar todas las conexiones de cables (cables del motor, potenciómetro, LED e interruptor ENCENDIDO/APAGADO) que van de la caja delantera (2) al tablero de control (consulte el Esquema eléctrico, página 61).
15. Vuelva a colocar la caja delantera (2) y fíjela con los seis tornillos (1) provistos con el controlador de repuesto.
16. Vuelva a colocar la cubierta del filtro (5) y fíjela con los cuatro tornillos (4) provistos con el controlador de repuesto.

### 3 PROCEDIMIENTO EN CASO DE AVERÍAS

PROBLEMA	CAUSA	SOLUCIÓN
A. No funciona la unidad.	<ol style="list-style-type: none"> <li>1. La unidad no está enchufada.</li> <li>2. Fusible quemado.</li> <li>3. Ajuste de presión demasiado bajo (la perilla de control de presión en su ajuste mínimo no suministra energía a la unidad).</li> <li>4. Conexiones defectuosas o sueltas.</li> <li>5. Temperatura excesiva del motor</li> <li>6. Interruptor ON/OFF defectuoso.</li> </ol>	<ol style="list-style-type: none"> <li>1. Enchufe la unidad.</li> <li>2. Reemplace el fusible (Tipo de fusible 3AB 15 AMP / 250V, P/N 800-929).</li> <li>3. Gire la perilla de control de presión en la dirección de las agujas del reloj para suministrar energía a la unidad y aumentar el ajuste de presión.</li> <li>4. Inspeccione o lleve a un centro de servicio autorizado por Titan.</li> <li>5. Deje que el motor se enfríe.</li> <li>6. Reemplace el interruptor ON/OFF.</li> </ol>
B. No se ceba la unidad.	<ol style="list-style-type: none"> <li>1. La válvula de entrada está atascada.</li> <li>2. La válvula PRIME/SPRAY está en la posición SPRAY.</li> <li>3. Fuga de aire en el tubo de sifón/juego de succión.</li> <li>4. El filtro de bomba y/o la malla de entrada está obstruido.</li> <li>5. El tubo de sifón/juego de succión está obstruido.</li> </ol>	<ol style="list-style-type: none"> <li>1. Inserte la vástago impulsor.</li> <li>2. Gire la válvula PRIME/SPRAY en la dirección de las agujas del reloj hasta la posición PRIME.</li> <li>3. Compruebe la conexión del tubo de sifón/juego de succión y apriete o vuelva a asegurar la conexión con cinta PTFE.</li> <li>4. Quite el elemento del filtro de bomba y límpielo. Quite la malla de entrada y límpiela.</li> <li>5. Quite el tubo de sifón/juego de succión y límpielo.</li> </ol>
C. La unidad no crea presión ni la mantiene.	<ol style="list-style-type: none"> <li>1. La punta rociadora está desgastada.</li> <li>2. La punta rociadora es demasiado grande.</li> <li>3. La perilla de control de presión no está debidamente ajustada.</li> <li>4. El filtro de bomba, el filtro de la pistola o la malla de entrada están obstruidos.</li> <li>5. El material fluye desde la manguera de retorno cuando la válvula PRIME/SPRAY está en la posición SPRAY.</li> <li>6. Fuga de aire en el tubo de sifón/juego de succión.</li> <li>7. Existe una fuga de fluido externa.</li> <li>8. Existe una fuga en la sección de líquidos interna (las empaquetaduras están desgastados o sucias, las bolas de las válvulas están desgastadas).</li> <li>9. Los asientos de las válvulas están desgastados</li> <li>10. El motor tiene alimentación pero no gira.</li> </ol>	<ol style="list-style-type: none"> <li>1. Quite la punta rociadora siguiendo las instrucciones suministradas con la pistola rociadora.</li> <li>2. Reemplace la punta rociadora por una punta que tenga un orificio más pequeño siguiendo las instrucciones suministradas con la pistola rociadora.</li> <li>3. Gire la perilla de control de presión en la dirección de las agujas del reloj para incrementar el ajuste de presión.</li> <li>4. Quite el elemento del filtro de bomba y límpielo. Quite el filtro de la pistola y límpielo. Quite la malla de entrada y límpiela.</li> <li>5. Limpie o reemplace la válvula PRIME/SPRAY.</li> <li>6. <b>Modelos de carro:</b> Compruebe la conexión del tubo de sifón/juego de succión y apriete o vuelva a asegurar la conexión con cinta PTFE. <b>Modelos de soporte:</b> Compruebe y limpie/lubrique las juntas tóricas en la conexión del juego de succión.</li> <li>7. Compruebe todas las conexiones en busca de fugas externas. Apriete las conexiones, si fuese necesario.</li> <li>8. Limpie las válvulas y de servicio a la sección de líquidos siguiendo el procedimiento de "Servicio a la sección de líquidos" de la sección de Mantenimiento de este manual.</li> <li>9. Invierta o reemplace los asientos de las válvulas siguiendo el procedimiento de "Servicio a la sección de líquidos" de la sección de Mantenimiento de este manual.</li> <li>10. Lleve la unidad a un centro de servicio autorizado por Titan.</li> </ol>
D. Fuga de fluido en el extremo superior de la sección de líquidos.	<ol style="list-style-type: none"> <li>1. Las empaquetaduras superiores están desgastadas.</li> <li>2. La vara del pistón está desgastada.</li> </ol>	<ol style="list-style-type: none"> <li>1. Vuelva a poner las empaquetaduras siguiendo el procedimiento de "Servicio a la sección de líquidos" de la sección de Mantenimiento de este manual..</li> <li>2. Reemplace el vástago del pistón siguiendo el procedimiento de "Servicio a la sección de líquidos" de la sección de Mantenimiento de este manual.</li> </ol>
E. Presión excesiva en la pistola del rociador.	<ol style="list-style-type: none"> <li>1. El tipo de manguera rociadora sin aire es erróneo.</li> <li>2. La punta rociadora está desgastada o es demasiado grande.</li> <li>3. Presión excesiva.</li> </ol>	<ol style="list-style-type: none"> <li>1. Reemplace la manguera por una manguera rociadora sin aire con trenzado textil conectada a tierra de 1/4" con un largo mínimo de 50 pies (15 metros).</li> <li>2. Reemplace la punta rociadora siguiendo las instrucciones suministradas con la pistola rociadora.</li> <li>3. Gire la perilla de control de presión en el sentido contrario a las agujas del reloj para reducir la presión de rociado.</li> </ol>
F. Patrón de atomización deficiente.	<ol style="list-style-type: none"> <li>1. La punta rociadora es demasiado grande para el material que se está utilizando.</li> <li>2. Ajuste de presión incorrecto.</li> <li>3. Paso de líquido insuficiente.</li> <li>4. El material que se está rociando es demasiado viscoso.</li> </ol>	<ol style="list-style-type: none"> <li>1. Reemplace la punta rociadora con una punta rociadora nueva o más pequeña siguiendo las instrucciones suministradas con la pistola rociadora.</li> <li>2. Gire la perilla de control de presión para ajustar la presión para obtener un patrón de rociado adecuado.</li> <li>3. Limpie todas las mallas y filtros.</li> <li>4. Añada solvente al material de acuerdo con las recomendaciones del fabricante.</li> </ol>
G. La unidad no tiene alimentación.	<ol style="list-style-type: none"> <li>1. El ajuste de la presión es demasiado bajo.</li> <li>2. Suministro de tensión inadecuado.</li> </ol>	<ol style="list-style-type: none"> <li>1. Gire la perilla de control de presión en el sentido de las agujas del reloj para aumentar el ajuste de presión.</li> <li>2. Vuelva a conectar la tensión de entrada para 120V AC.</li> </ol>

### 3.1 MENSAJES DE ERROR

Si hay una avería del pulverizador, el indicador verde de motor en marcha parpadeará con un patrón específico para indicar el tipo de avería. Consulte más adelante para ver una explicación de los patrones de parpadeo.

- La cantidad de parpadeos inmediatamente tras una pausa larga es el primer número.
- La cantidad de parpadeos inmediatamente tras una pausa corta es el segundo número.
- Por ej., Pausa larga => 2 parpadeos => pausa corta => 1 parpadeo = 21 (Revisar el transductor)

Mensaje de error	N.º de parpadeos	N.º de parpadeos	Número de error	Error / Avería	Descripción
1	2	1	21	Revisar el transductor	Indica que el transductor no está funcionando correctamente.
2	2	3	23	Revisar el potenciómetro	Indica que el potenciómetro no está funcionando correctamente.
3	2	4	24	Carga mecánica alta	Indica que la unidad detecta una carga mecánica excesivamente alta (por ej., sección de líquidos congelada).
4	2	5	25	Temperatura alta del motor	Indica que el motor se apagó debido a un exceso de calor.
5	3	1	31	Temperatura alta del controlador	Indica que el EPC se apagó debido a un exceso de calor.
6	3	2	32	Bajo voltaje	Indica que el voltaje está por debajo de los 60 voltios. El motor intentará iniciar una vez y después mostrará Bajo voltaje después de 3 segundos.
7	3	4	34	Ciclo de potencia Hall deficiente	Indica que el motor se apagó debido a problemas de conexión entre el motor y el controlador.
8	4	1	41	Revisar motor	Indica que el motor o los sensores Hall del motor están defectuosos.
9	4	2	42	Motor	Si la bomba se almacenó en un área fría, permita que la bomba se caliente y vuelva a intentarlo. Si esto no corrige el problema, el sensor del motor está dañado y se debe reemplazar el motor.
13	Parpadeo continuo de la luz de funcionamiento del motor			Sistema sobre corriente	Apague la bomba durante un minuto para reiniciar. Encienda y si la luz sigue parpadeando, reemplace el controlador



## GARANTÍA

Titan Tool, Inc., ("Titan") garantiza que al momento de la entrega al comprador original para su uso ("Usuario Final") el equipo que se encuentra bajo la cobertura de esta garantía no presentará defectos de materiales ni de mano de obra. A excepción de cualquier garantía especial, limitada o extendida publicada por Titan, la obligación de Titan según esta garantía se limita el reemplazo o la reparación sin cargo de las piezas, las que según el criterio de Titan se presenten como defectuosas dentro de doce (12) meses después de la venta al Usuario Final. Esta garantía es aplicable sólo cuando la unidad se instala y se hace funcionar de acuerdo con las recomendaciones e instrucciones de Titan.

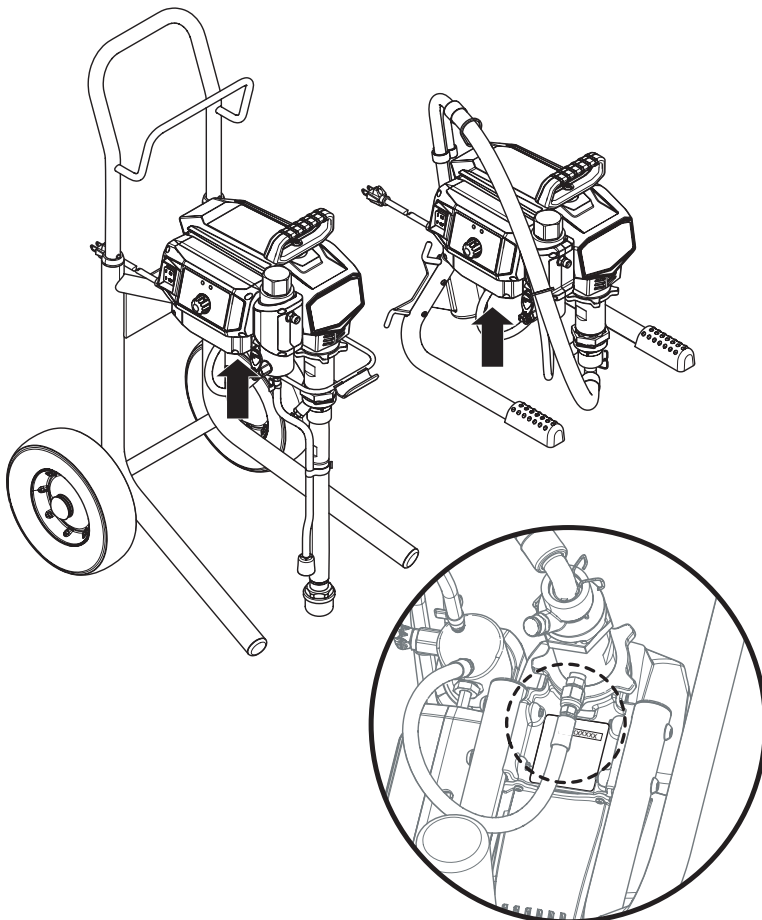
Esta garantía no se aplica en caso de daño o desgaste provocado por abrasión, corrosión, uso indebido, negligencia, accidente, instalación defectuosa, sustitución de piezas de componentes que no pertenezcan a Titan o la alteración de la unidad de alguna manera que impida su funcionamiento normal.

Las piezas defectuosas se deben devolver a una tienda de ventas/servicio técnico autorizada de Titan. Todos los cargos de transporte, incluido el regreso a la fábrica de ser necesario, deben ser costeados y pagados por adelantado por el Usuario Final. El equipo que se repare o reemplace se devolverá al Usuario Final con los gastos de envío pagados por adelantado.

NO EXISTE OTRA GARANTÍA EXPRESA. POR ESTE MEDIO TITAN NIEGA TODAS LAS GARANTÍAS IMPLÍCITAS, ENTRE LAS QUE SE INCLUYEN, AQUELLAS DE COMERCIABILIDAD Y APTITUD PARA UN FIN EN PARTICULAR DENTRO DE LO QUE PERMITA LA LEY. LA DURACIÓN DE CUALQUIER GARANTÍA IMPLÍCITA QUE NO SE PUEDA NEGAR SE LIMITA AL PERÍODO QUE SE ESPECIFIQUE EN LA GARANTÍA EXPRESA. LA RESPONSABILIDAD DE TITAN NO EXCEDERÁ EN NINGÚN CASO EL VALOR DE LA COMPRA. LA RESPONSABILIDAD POR DAÑOS ESPECIALES, INDIRECTOS O EMERGENTES SEGÚN CUALQUIERA Y TODAS LAS GARANTÍAS ESTÁ EXCLUIDA DENTRO DE LO QUE PERMITA LA LEY.

TITAN NO REALIZA NINGUNA GARANTÍA Y NIEGA TODAS LAS GARANTÍAS IMPLÍCITAS DE COMERCIABILIDAD Y APTITUD PARA UN FIN EN PARTICULAR EN RELACIÓN CON ACCESORIOS, EQUIPOS, MATERIALES O COMPONENTES QUE VENDA, PERO QUE NO FABRIQUE TITAN. ESTOS ARTÍCULOS QUE VENDA, PERO QUE NO FABRIQUE TITAN (TALES COMO MOTORES DE GAS, INTERRUPTORES, MANGUERAS, ETC.) ESTÁN SUJETOS A LA GARANTÍA, DE EXISTIR ALGUNA, DE SU FABRICANTE. TITAN PROPORCIONARÁ UNA ASISTENCIA RAZONABLE AL COMPRADOR PARA REALIZAR CUALQUIER RECLAMACIÓN POR EL INCUMPLIMIENTO DE ESTAS GARANTÍAS.

### UBICACIÓN DEL NÚMERO DE SERIE



### REGISTRO DEL PRODUCTO

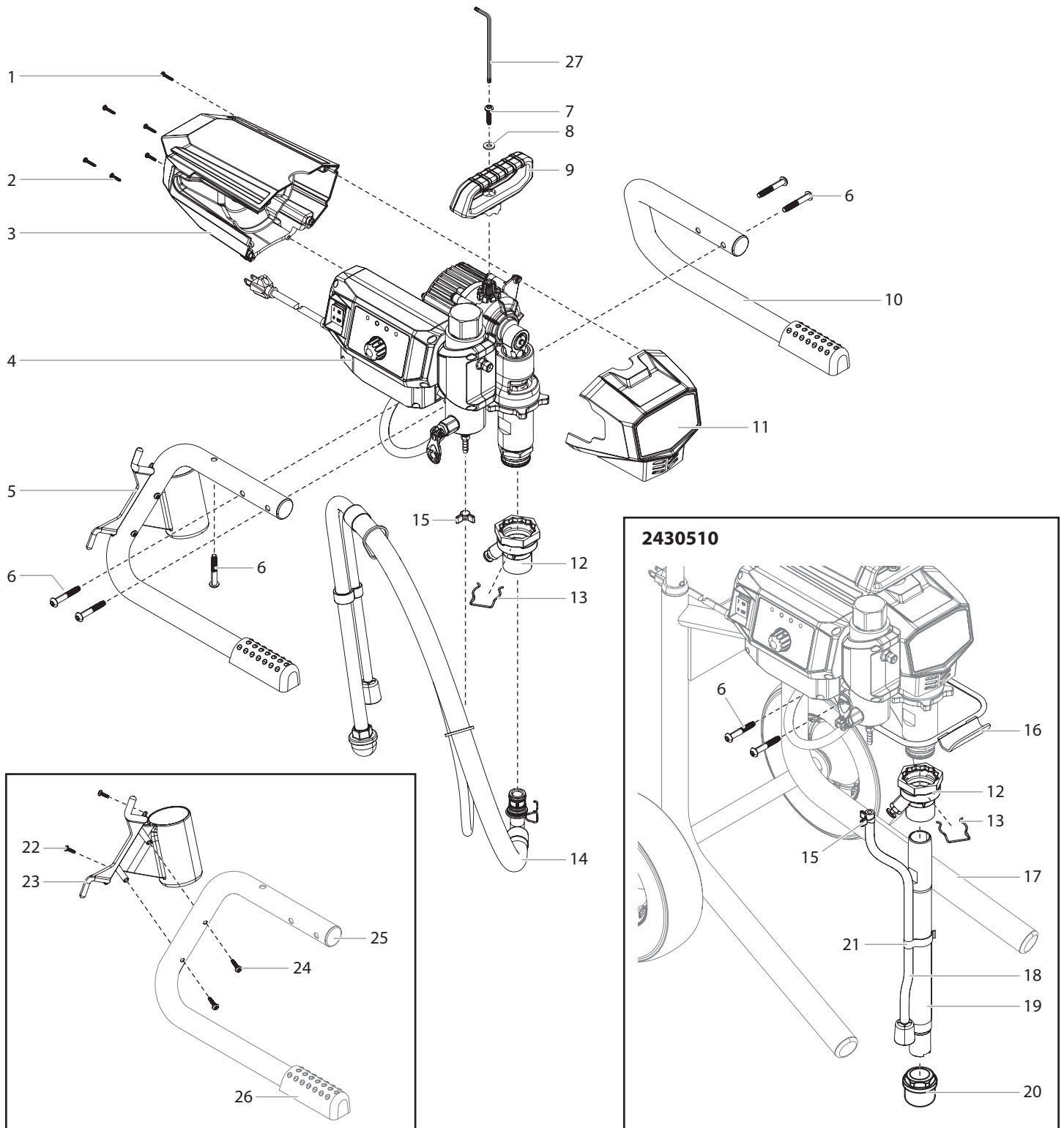
Registre su producto en línea en [www.titantool.com](http://www.titantool.com).

CUADRO DE PIEZAS DE RECAMBIO

EN MAIN ASSEMBLY

ES CONJUNTO PRINCIPAL

F ENSEMBLE PRINCIPAL



#	Skid 2429069	High Cart 2430510	Description	Description	Descripción	Qty. Qté. Cant.
1	-----	-----	Screw	Vis	Tornillo	4
2	-----	-----	Screw	Vis	Tornillo	2
3	2425879A	2425879A	Motor shroud, rear	Carter du moteur, arrière	Cubierta del motor, trasero	1
4*	-----	-----	Drive assembly	Boîte d'engrenages	Ensamblaje de la caja de engranajes	1
5	2441852A	-----	Leg assembly, left (includes items 22-26)	Ensemble de patte, gauche (comprend les articles 22 à 26)	Conjunto de pata, izquierda (incluye los elementos 22 al 26)	1
6	-----	-----	Screw	Vis	Tornillo	5
	-----	-----	Screw	Vis	Tornillo	4
7	-----	-----	Screw	Vis	Tornillo	1
8	-----	-----	Washer	Rondelle	Arandela	1
9	-----	-----	Handle assembly	Ensemble de poignée	Conjunto de mango	1
10*	2441853A	-----	Leg assembly, right	Ensemble de patte, droite	Conjunto de pata, derecha	1
11	2425881A	2425881A	Front shroud	Carter, avant	Revestimiento delantero	1
12	2423819A	2423817A	Pusher stem assembly (includes item 13)	Ensemble de tige de poussée (comprend l'article 13)	Conjunto del vástago impulsor (incluye el elemento 13)	1
13	2423825	2423825	Pusher stem clip	Attache de tige de poussée	Sujetador del vástago impulsor	1
14*	2440409	-----	Siphon assembly and return line (includes item 15)	Ensemble d'aspiration et tube de retour (comprend le article 15)	Juego de succión y el tubo de retorno (incluye el elemento 13)	1
15	327226	327226	Return tube clip	Agrafe de tube de retour	Sujetador de tubo de retorno	1
16	-----	2426230A	Pail bracket	Support de seau	Soporte de cubo	1
17*	-----	-----	Cart assembly	Ensemble de chariot	Ensamblaje del carro	1
18	-----	2426982	Return tube	Tube de retour	Tubo de retorno	1
19	-----	805-408	Siphon tube	Tube d'aspiration	Tubo de succión	1
20	-----	710-046	Inlet filter	Filtre d'entrée	Filtro de entrada	1
21	-----	730-334	Clip	Agrafe	Sujetador	1
22	-----	-----	Drip cup screw	Vis de cuvette d'égouttage	Tornillo de recipiente de goteo	3
23	2440144	-----	Drip cup	Cuvette d'égouttage	Recipiente de goteo	1
24	-----	-----	Screw	Vis	Tornillo	2
25	294635	-----	Plug	Capuchon	Tapa	2
26	805-342	-----	Foot	Pied	Pie	2
27	2458999	2458999	Wrench, Torx 30	Clé, Torx 30	Llave, Torx 30	1
	2426212	2426212	Front shroud label	Étiquette, carter, avant	Etiqueta, revestimiento delantero	1
	2426214	2426214	Model number label	Étiquette de numéro de modèle	Etiqueta de número de modelo	1
	2440442	2440442	Main hardware kit (includes items 1, 2, 6, 22, and 24)	Trousse de pièces principale (comprend les articles 1,2, 6, 22 et 24)	Juego principal de tornillería (incluye los elementos 1, 2, 6, 22 y 24)	
	2440400	2440400	Handle kit (includes items 7-9)	Trousse de poignée (comprend les articles 7 à 9)	Juego de mango (incluye los elementos 7 a 9)	

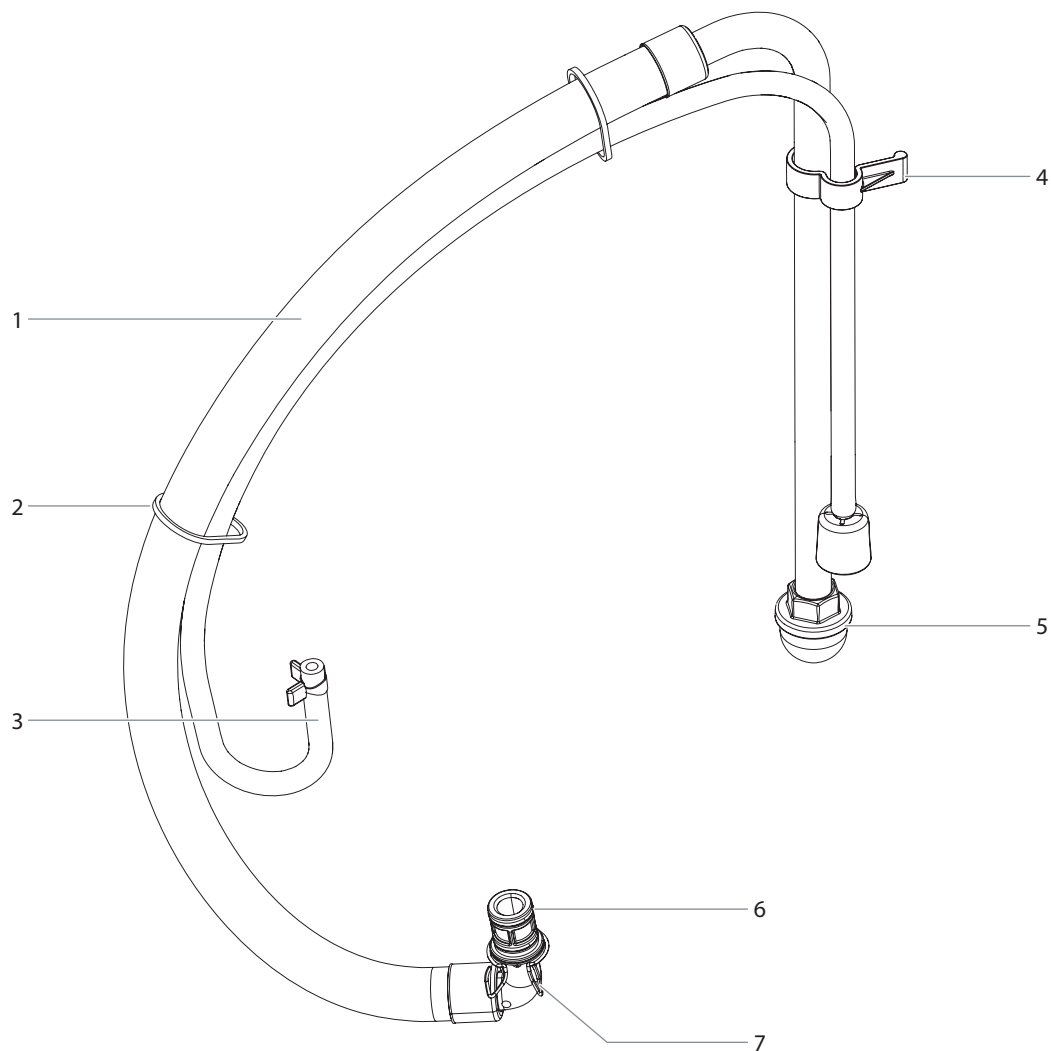
\* See separate listing / voir la liste de pièces distincte / consulte la lista separada

CUADRO DE PIEZAS DE RECAMBIO

EN SUCTION SET ASSEMBLY

F ENSEMBLE D'ASPIRATION

ES ENSAMBLAJE DEL JUEGO DE SUCCIÓN



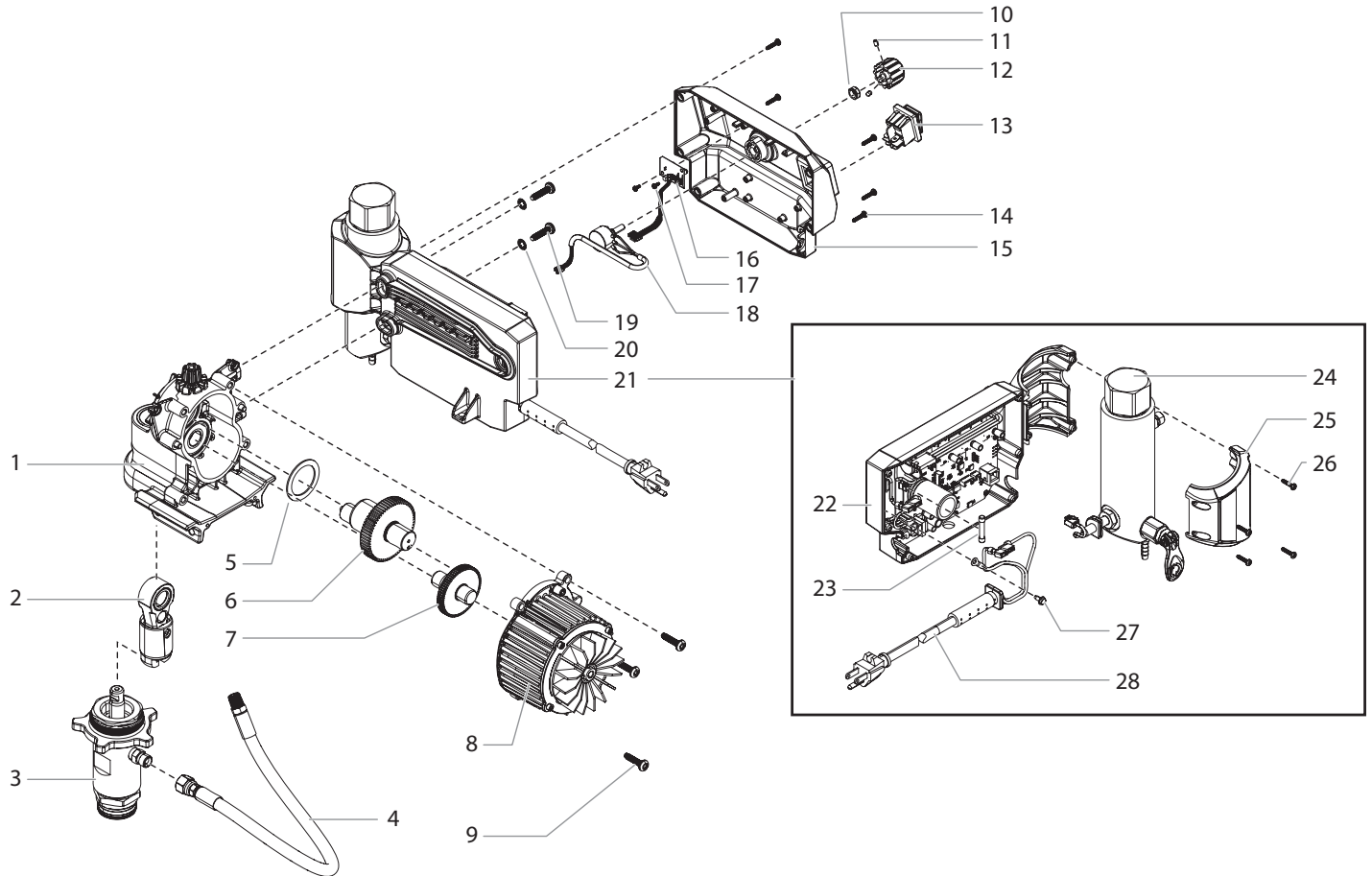
#	Skid 2429069	Description	Description	Descripción	Qty. Qté. Cant.
1	2426336	Siphon tube assembly (includes items 1, 5-7)	Ensemble d'aspiration (comprend les articles 1, 5-7)	Ensamblaje del juego de succión (incluye artículos 1, 5-7)	1
2	-----	Tie wrap	Cord d'amarrage	Amarra	2
3	2426337	Return tube (includes item 4)	Tube de retour	Tubo de retorno	1
4	2427391	Clip	Agrafe	Sujetador	1
5	700-805	Inlet screen	Crépine d'entrée	Malla de entrada	1
6	9871105	O-ring	Joint torique	Junta tórica	2
7	9822526	Retaining clip	Agrafe de retenue	Sujetador de retención	1
	704-109	O-ring (for hot solvents, optional)	Joint torique pour solvants chauds (facultatif)	Junta tórica (para solventes calientes, opcional)	

CUADRO DE PIEZAS DE RECAMBIO

EN DRIVE ASSEMBLY

F ENSEMBLE MOTEUR

ES ENSAMBLAJE DE LA CAJA DE ENGRANAJES



All electrical work should be performed by an authorized service center.



Tous les travaux d'électricité doivent être effectués par le personnel d'un centre de service autorisé.



Todo trabajo eléctrico debe realizarlo un centro de servicio autorizado.

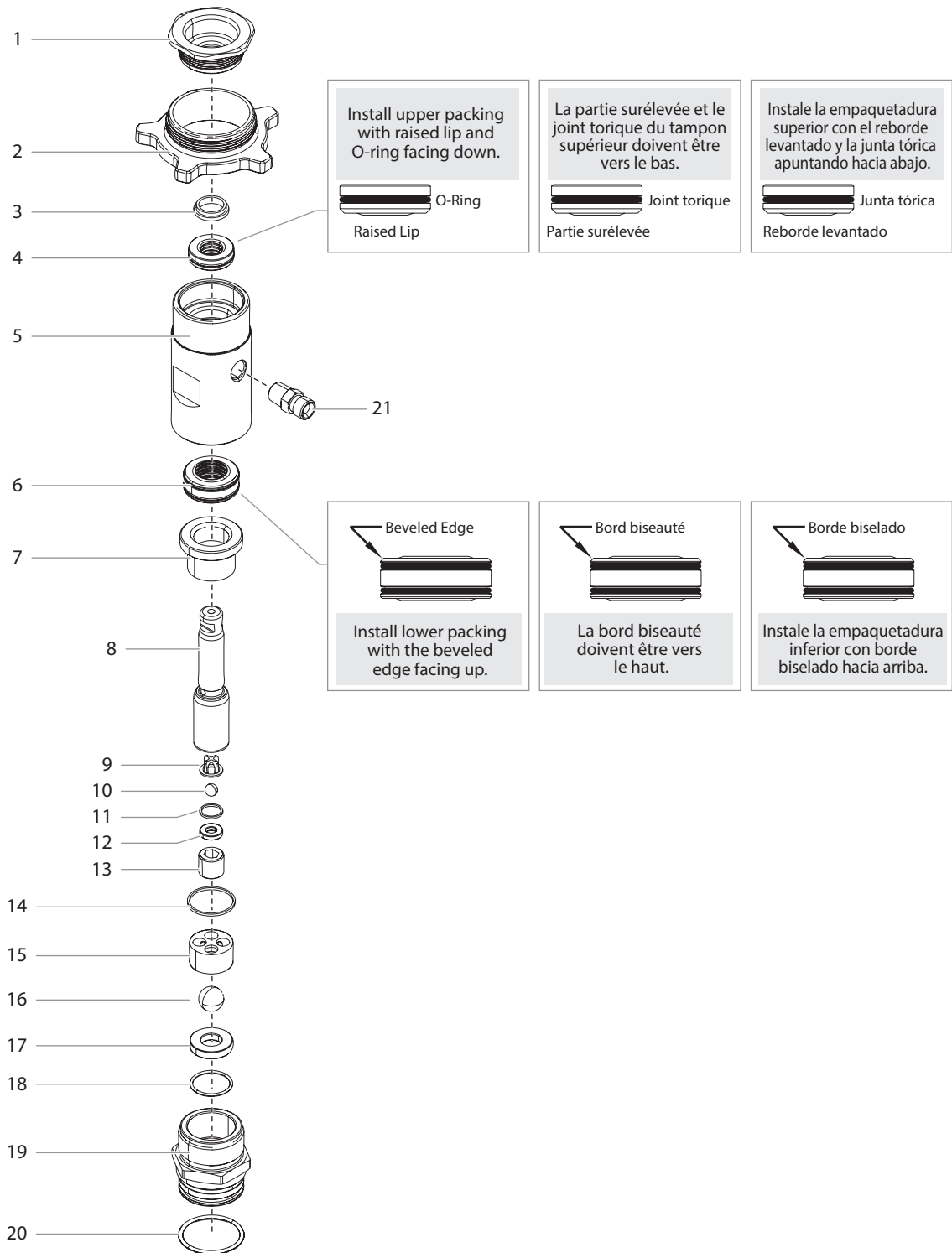
#	2429069 2430510	Description	Description	Descripción	Qty. Qté. Cant.
1	2425405A	Housing assembly	Logement de la pompe	Caja de la bomba	1
2	2426582A	Slider assembly	Bielle	Vara conectora	1
3	2440559	Fluid section assembly	Ensemble de section des liquides	Ensamblaje de sección de líquidos	1
4	2426228	Fluid hose	Tuyau pour fluide	Manguera de líquidos	1
5	704-174	Thrust washer	Rondelle de butée	Arandela de empuje	1
6	704-173A	Crankshaft / gear assembly	Ensemble vilebrequin/engrenages	Ensamblaje cigüeñal/engranaje	1
7	704-176	2nd stage gear	Second embragage	Engranaje de 2da etapa	1
8	2425488A	Motor assembly	Ensemble de moteur	Ensamblaje del motor	1
9	-----	Screw	Vis	Tornillo	4
10	700-176	Nut with seal	Écrou avec joint	Tuerca con sello	1
11	704-598	Set screw	Vis de réglage	Tornillos de fijación	2
12	805-354	Pressure control knob	Bouton de commande de pression	Regulador de presión	1
13	2420453	Power switch	Interrupteur	Interruptor	1
14	-----	Screw	Vis	Tornillo	6
15	2425501A	Front enclosure	Boîtier avant	Caja delantera	1
16	2425503A	PCB assembly	Ensemble PCB	Conjunto de placa de circuito impreso	1
17	2426221	Screw	Vis	Tornillo	2
18	2423449	Potentiometer	Potentiomètre	Potenciómetro	1
19	-----	Screw	Vis	Tornillo	2
20	-----	Washer	Rondelle	Arandela	2
21	-----	Main control box assembly	Ensemble boîtier de commande principal	Conjunto de caja de control principal	1
22	2425490A	Main control box rear plate with PCB board	Plaque arrière du boîtier de commande principal avec carte PCB	Placa trasera de caja de control principal con placa de circuito impreso	1
23	800-929	Fuse	Fusible	Fusible	1
24*	2424887A	Filter assembly	Ensemble de filtre	Conjunto de filtro	1
25	2425498	Filter assembly cover	Capot de l'ensemble de filtre	Cobertura de conjunto de filtro	1
26	-----	Screw	Vis	Tornillo	4
27	9800340	Ground screw	Vis de terre	Tornillo a tierra	1
28	2423443	Power cord assembly	Ensemble de cordon d'alimentation	Ensamblaje de cable de alimentación	1
	2425502	Control panel label	Étiquette de panneau de comande	Etiqueta de panel de control	1
	2440399	Drive assembly hardware kit (includes items 9, 14, 19-20, and 26)	Trousse de pièces de la boîte d'engrenages (comprend les éléments 9, 14, 19-20 et 26)	Juego de tornillería del conjunto de accionamiento (incluye los elementos 9, 14, 19 a 20 y 26)	

\* See separate listing / voir la liste de pièces distincte / consulte la lista separada

CUADRO DE PIEZAS DE RECAMBIO

EN FLUID SECTION  
 ES ZONA DE PINTURA

F POMPE À PEINTURE





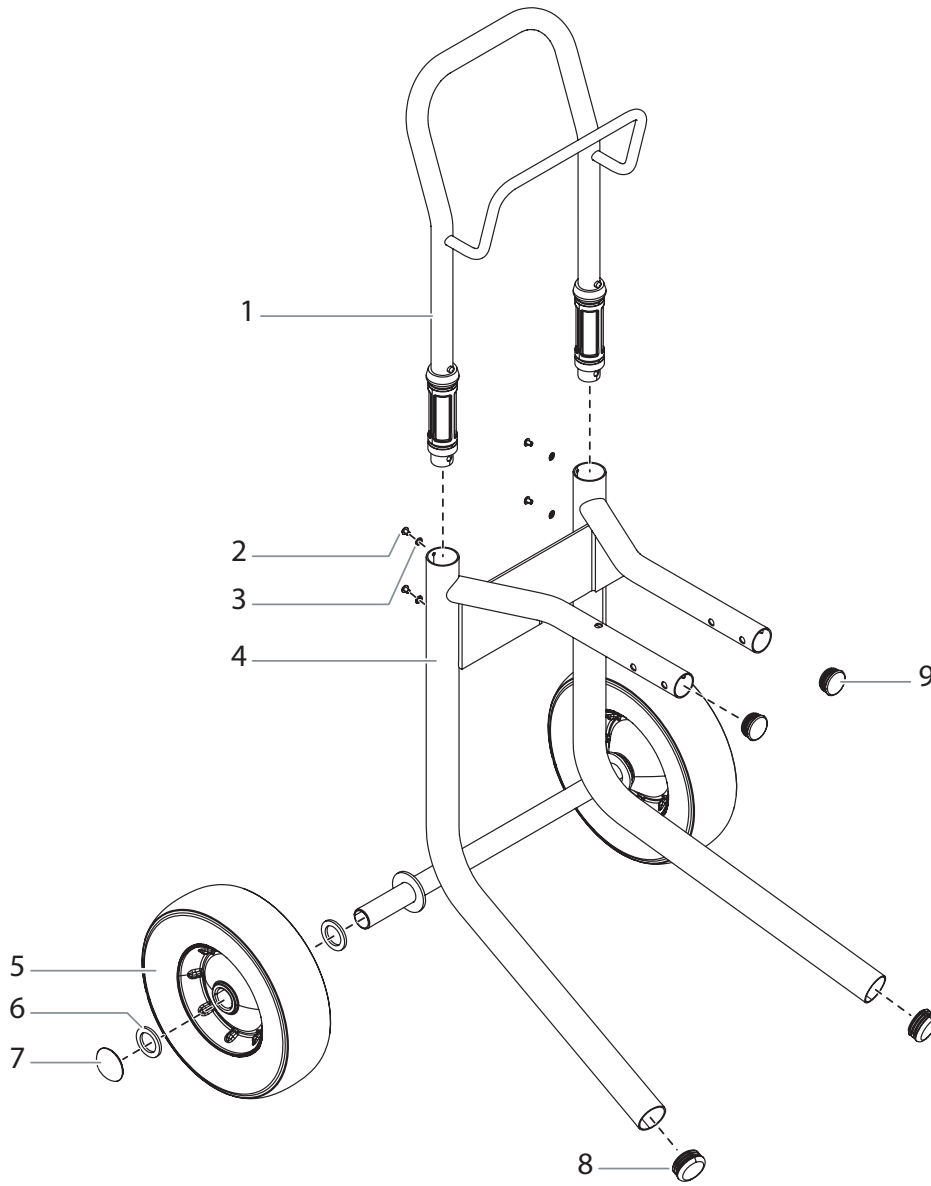
#	2429069 2430510	Description	Description	Descripción	Qty. Qté. Cant.
1	2420537	Retainer	Rondelle de retenue	Retén	1
2	2418295	Locking nut	Contre-écrou	Contratuerca	1
3	700-587	Piston guide	Guide-piston	Guía de pistón	1
4	-----	Upper packing	Tampon graisseur supérieur	Empaquetadura superior	1
5	2418182A	Pump cylinder	Cylindre de pompe	Cilindro de bomba	1
6	-----	Lower packing	Tampon graisseur inférieur	Ampaquetadura inferior	1
7	509590	Bushing	Manchon	Buje	1
8	2420579A	Piston rod	Tige de piston	Vara del pistón	1
9	704-610	Upper cage	Cage supérieur	Jaula superior	1
10	50164	Outlet valve ball	Clapet de soupape de sortie	Bola de la válvula de salida	1
11	704-612	Crush washer	Rondelle d'encrasement	Arandela de aplastar	1
12	704-558	Outlet valve seat	Siège de soupape de sortie	Asiento de la válvula de salida	1
13	13481	Outlet valve retainer	Rondelle de retenue de soupape de sortie	Retén de la válvula de salida	1
14	700-821	Foot valve seal	Joint de soupape de retenue	Junta de la válvula de pie	1
15	704-703	Lower cage	Cage inférieur	Jaula superior	1
16	762-145	Foot valve ball	Clapet de soupape de retenue	Bola de la válvula de pie	1
17	762-137	Foot valve seat	Siège de soupape de retenue	Asiento de la válvula de pie	1
18	762-058	O-ring, PTFE	Joint torique, PTFE	Junta tórica, PTFE	1
19	805-351A	Foot valve	Soupape de retenue	Válvula de pie	1
20	800-332	O-ring, Viton	Joint torique, Viton	Junta tórica, Viton	1
21	227-006	Fitting	Raccord	Conector	1
	2420580A	Piston assembly (includes items 8-13)	Ensemble de piston (comprend les articles 8-13)	Ensamblaje del pistón (incluye artículos 8-13)	
	805-845	Outlet valve kit (includes items 9-12 and 14)	Trousse de soupape de sortie (comprend les articles 9-12 et 14)	Juego de válvula de salida (incluye artículos 9-12 y 14)	
	805-846	Inlet valve kit (includes items 14-18)	Trousse de soupape d'entrée (comprend les articles 14-18)	Juego de válvula de entrada (incluye artículos 14-18)	
	704-586B	Repacking kit (includes items 3-4, 6, 9-11, 14, 16, 18 and 20. Also included are packing grease P/N 700-203 and piston guide tool P/N 700-793.)	Trousse de tampon graisseurs (comprend les articles 3-4, 6, 9-11, 14, 16, 18 et 20. Sont également inclus les lubrifiants de tampon graisseurs P/N 700-203 et outil de piston de guide P/N 700-793.)	Juego de empaquetaduras (incluye artículos 3-4, 6, 9-11, 14, 16, 18 y 20. También de incluyen la lubricador de empaquetaduras P/N 700-203 et herramienta de guía del pistón P/N 700-793.)	

CUADRO DE PIEZAS DE RECAMBIO

EN CART ASSEMBLY

F ENSEMBLE DE CHARIOT

ES ENSAMBLAJE DE CARRO



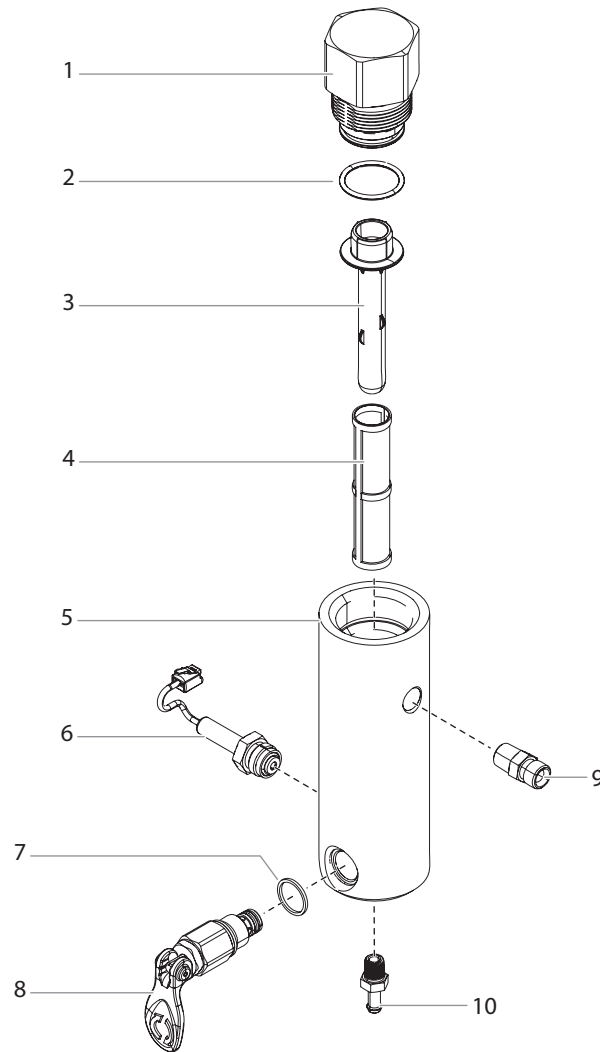
#	High Cart 2430510	Description	Description	Descripción	Qty. Qté. Cant.
1	2426619A	Handle kit	Trousse de poignée	Juego de mango	1
2	-----	Screw	Vis	Tornillo	4
3	-----	Washer	Rondelle	Arandella	4
4	2426732A	Cart	Chariot	Carro	1
5	278373	Wheel	Roue	Rueda	2
6	-----	Wheel spacer	Espaceur de roue	Separador de rueda	4
7	-----	Axle cap	Chapeau	Tapa	2
8	9885571	Plug	Capuchon	Tapa	2
9	294635	Plug	Capuchon	Tapa	2
	2440403	Cart hardware kit (includes items 2-3 and 6-8)	Trousse de pièces pour chariot (comprend les articles 2-3 et 6-8)	Juego de tornillería de carro (incluye los elementos 2 a 3 y 6 a 8)	

CUADRO DE PIEZAS DE RECAMBIO

EN FILTER ASSEMBLY

F ENSEMBLE DU FILTRE

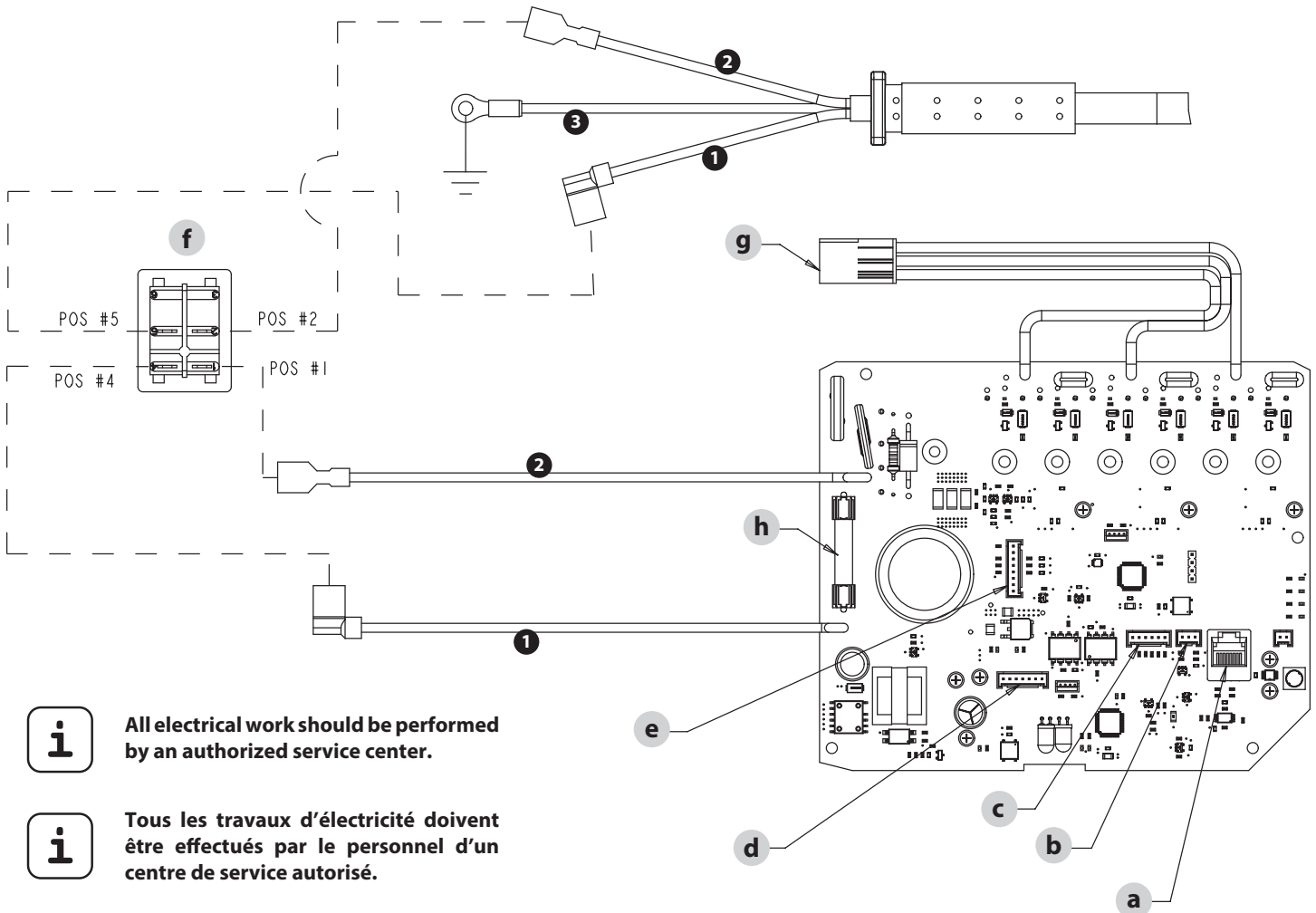
ES ENSAMBLAJE DE FILTRO



#	2429069 2430510	Description	Description	Descripción	Qty. Qté. Cant.
1	2424931A	Filter cap	Bouchon du filtre	Tapa de filtro	1
2	2424934	O-ring	Joint torique	Junta tórica	1
3	2424932	Filter core	Noyau filtrant	Núcleo de filtro	1
4	2424933	Filter, white (60 mesh)	Filtre, blanc (60 maille)	Filtro, blanc (60 malla)	1
5	2424886A	Filter bowl	Cuve de filtre	Recipiente de filtro	1
6	2427607A	Transducer	Transducteur	Transductor	1
7	700-537	Washer	Rondelle	Arandela	1
8	2440405	Bypass valve assembly (includes item 7)	Ensemble de vanne de dérivation (comprend l'article 7)	Conjunto del válvula de derivación (incluye el elemento 7)	1
9	227-006	Fitting	Raccord	Conector	1
10	2442856	Return tube fitting	Raccord du tube de retour	Conexión del tubo de retorno	1

EN ELECTRICAL SCHEMATIC  
 ES ESQUEMA ELÉCTRICO

F SCHÉMA DE RACCORDEMENT ÉLECTRIQUE



All electrical work should be performed by an authorized service center.



Tous les travaux d'électricité doivent être effectués par le personnel d'un centre de service autorisé.



Todo trabajo eléctrico debe realizarlo un centro de servicio autorizado.

Item	2429069 2430510	Description	Description	Descripción
a	-----	Pressure transducer plug	Bouchon du transducteur de pression	Conector de transductor de presión
b	-----	Potentiometer plug	Bouchon de potentiomètre	Conector de potenciómetro
c	-----	LED plug	Fiche DEL	Conector LED
d	-----	Premium Bluetooth® plug	Prise Bluetooth® haut de gamme	Conector Bluetooth® Premium
e	-----	Motor hall plug	Fiche de moteur Hall	Conector Hall de motor
f	2420453	Power switch	Interrupteur	Interruptor
g	-----	Motor phase plug	Fiche de phase du moteur	Conector de fase de motor
h	800-929	Fuse	Fusible	Fusible
1	-----	Black	Noir	Negro
2	-----	White	Blanc	Blanco
3	-----	Green/yellow	Vert/jaune	Verde/amarillo

## CUADRO DE PIEZAS DE RECAMBIO

EN ACCESSORIES

F ACCESOIRES

ES ACCESORIOS

#	English • Description	Français • Description	Español • Descripción
<b>Spray Guns • Pistolets de pulvérisation • Pistolas de rociadora</b>			
538006	2 Finger RX-80™ with 517 Tip	2-doigts RX-80™ avec l'embout à 517	2-dedos RX-80™ con la punta de 517
538005	4 Finger RX-80™ with 517 Tip	4-doigts RX-80™ avec l'embout à 517	4-dedos RX-80™ con la punta de 517
538010	RX-80™ with tip and hose	RX-80™ avec l'embout et flexible	RX-80™ con la punta y manguera
538020	RX-Pro® with 517 Tip	RX-Pro® avec l'embout à 517	RX-Pro® con la punta de 517
538022	RX-Pro® with tip and hose	RX-Pro® avec l'embout et flexible	RX-Pro® con la punta y manguera
538033	RX-Pro® with HEA Tip and hose	RX-Pro® avec l'embout à HEA et flexible	RX-Pro® con la punta de HEA y manguera
550060	S-3 with 517 Tip	S-3 avec l'embout à 517	S-3 con la punta de 517
<b>Spray tips and accessories • Embouts de pulvérisation et accessoires • Puntas de rociadora y accesorios</b>			
662-XXX	SC-6+ Tip*	Embout à SC-6+*	Punta de SC-6+*
330-XXX	HEA Tip*	Embout à HEA*	Punta de HEA*
671-XXX	Synergy® Fine Finish Tip*	Embout à Synergy® Fine Finish*	Punta de Synergy® Fine Finish*
538029	Tip Swivel	Pivot de buse	Dispositivo giratorio de la boquilla
<b>Pump filter • Filtre de pompe • Filtro de bomba</b>			
2440407	Coarse 30-Mesh Filter (Green)	Filtre à grosses 30-maillles (vert)	Filtro de 30-malla gruesa (verde)
2440406	Medium 60-Mesh Filter (White)	Filtre à 60-maillles moyennes (blanc)	Filtro de 60-malla media (blanco)
2440408	Fine 100-Mesh Filter (Yellow)	Filtre à 100-maillles fines (jaune)	Filtro de 100-malla fina (amarillo)
<b>Gun filter • Filtre de pistolet • Filtro de pistola</b>			
89957	Coarse Mesh Filter (Green)	Filtre à grosses mailles (vert)	Filtro de malla gruesa (verde)
0089958B	Medium Mesh Filter (White)	Filtre à mailles moyennes (blanc)	Filtro de malla media (blanco)
0089959A	Fine Mesh Filter (Yellow)	Filtre à mailles fines (jaune)	Filtro de malla fina (amarillo)
<b>Inlet filter • Filtre d'entrée • Filtro de entrada</b>			
710-046B	Rock Catcher, 10 mesh	Filtre de 10 mailles	Filtro de 10 malla
710-191A	Rock Catcher, 30 mesh	Filtre de 30 mailles	Filtro de 30 malla
<b>Extensions • Rallonges • Extensi3ns</b>			
2418848	Packaged 5" Tip Extension	Rallonge de embout, 13 cm	Extensi3n de punta, 13 cm
2418850	Packaged 10" Tip Extension	Rallonge de embout, 25 cm	Extensi3n de punta, 25 cm
2418851	Packaged 20" Tip Extension	Rallonge de embout, 51 cm	Extensi3n de punta, 51 cm
2418852	Packaged 30" Tip Extension	Rallonge de embout, 76 cm	Extensi3n de punta, 76 cm
2418836	Bulk 5" Extension	Rallonge, 13 cm	Extensi3n, 13 cm
2418839	Bulk 10" Extension	Rallonge, 25 cm	Extensi3n, 25 cm
2418840	Bulk 20" Extension	Rallonge, 51 cm	Extensi3n, 51 cm
2418841	Bulk 30" Extension	Rallonge, 76 cm	Extensi3n, 76 cm
2437218	3' Extension Pole with swivel	Tige rallonge de 90 cm avec pivot	Barra de extensi3n de 90 cm con pivote
2437221	6' Extension Pole with swivel	Tige rallonge de 180 cm avec pivot	Barra de extensi3n de 180 cm con pivote

<b>Airless hose and accessories • Flexible sans air et accessoires • Manguera sin aire y accesorios</b>			
316-505	1/4" x 50' Airless Hose	Flexible sans air, 15,2 m x 0,6 cm	Manguera, 15,2 m x 0,6 cm
291006	3/8" x 50' Airless Hose	Flexible sans air, 15,2 m x 0,95 cm	Manguera, 15,2 m x 0,95 cm
316-506	3/16" x 5' Whip Hose	Flexible sans air, 1,5 m x 0,5 cm	Manguera, 1,5 m x 0,5 cm
550063	1/4" x 1/4" hose connector	Raccord de flexible (0,6 cm <sup>2</sup> [1/4 po <sup>2</sup> ])	Acoplamiento de manguera, 1/4 x 1/4 de pulgada
550064	1/4" x 3/8" hose connector	Raccord de flexible, 0,6 cm x 0,95 cm	Acoplamiento de manguera, 1/4 x 3/8 de pulgada
550066	3/8" x 3/8" hose connector	Raccord de flexible (0,95 cm <sup>2</sup> [3/8 po <sup>2</sup> ])	Acoplamiento de manguera, 3/8 x 3/8 de pulgada
2404445	Inner-Feed Roller™	Inner-Feed Roller™	Inner-Feed Roller™
2402013	Sprayroller™ with 3' pole	Sprayroller™ avec rallonge de 1 m	Sprayroller™ con extensión de 1 m
<b>Lubricants and cleaners • Lubrifiants et nettoyeurs • Lubricantes y limpiadores</b>			
314-482	LS-10 Liquid Shield™, 1 Quart	LS-10 Liquid Shield™, 0,95 l	LS-10 Liquid Shield™, 0,95 l
314-480	Piston Lube™, 8 oz	Piston Lube™, 8 oz.	Piston Lube™, 8 onzas
508071	Paint Mate, 1 quart	Paint Mate, 0,95 l	Paint Mate, 0,95 l
<b>Service kits (optional) • Trusses de services (facultatif) • Juegos de servicio (opcional)</b>			
805-845	Oulet valve kit	Trousse de soupape de sortie	Juego de válvula de salida
805-846	Inlet valve kit	Trousse de soupape d'entrée	Juego de válvula de entrada
2440559	Complete fluid section	Section fluide, complète	Sección de fluidos, completa
704-586B	Repacking kit	Trousse de tampon graisseurs	Juego de empaquetaduras

\* Go to [www.titantool.com](http://www.titantool.com) for tip sizes / voir [www.titantool.com](http://www.titantool.com) pour les dimensions / visite [www.titantool.com](http://www.titantool.com) para conocer los tamaños



**TITAN<sup>®</sup>**

**IMPACTX<sup>™</sup>**  
**440**

**UNITED STATES SALES & SERVICE**

**WEB:** [www.titantool.com](http://www.titantool.com)

**PHONE:** 1-800-526-5362

1770 Fernbrook Lane

Minneapolis, MN 55447

**INTERNATIONAL**

**EMAIL:** [international@titantool.com](mailto:international@titantool.com)