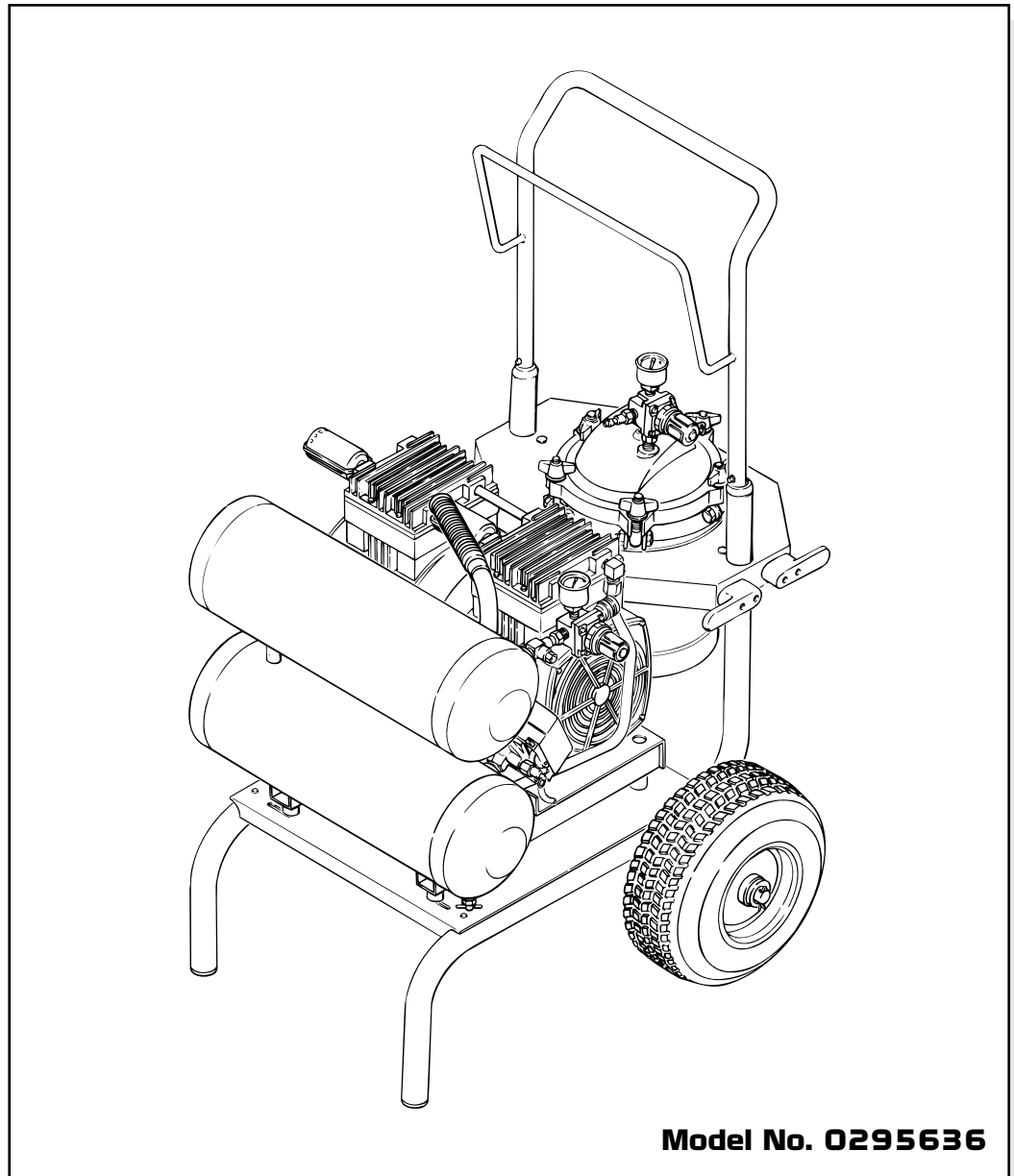


CS10000 HVLP Spray System

Owner's Manual



CAPspray
THE FINISHING TOOL™

CAPSpray
1770 Fernbrook Lane
Minneapolis, MN 55447

Technical Assistance: 1-800-292-4637

Order Entry: 1-800-443-4500

Fax: 1-800-525-9501

www.spraytechinc.com

Table of Contents

Safety	2
Introduction	3
Setup	3
Connecting the Spray System	3
Operation	4
Startup	4
Shutdown	4
Spray Charts	4
Français	5
Español	5
Parts List	5-6
Warranty	8

Safety

This manual contains information that must be read and understood before using the equipment. When you come to an area that has one of the following symbols, pay particular attention and make certain to heed the safeguard.



This symbol indicates a potential hazard that may cause serious injury or loss of life. Important safety information will follow.



This symbol indicates a potential hazard to you or to the equipment. Important information that tells how to prevent damage to the equipment or how to avoid causes of minor injuries will follow.

NOTE: Notes give important information that should be given special attention.



HAZARD: GENERAL — May cause property damage or severe injury.

PREVENTION:

- Read all instructions and safety precautions before operating any equipment.
- Comply with all appropriate local, state and national codes governing ventilation, fire prevention, and operation.
- The United States Government Safety Standards have been adopted under the Occupational Safety and Health Act (OSHA). These standards, particularly Part 1910 of the General Standards and Part 1926 of the Construction Standard should be consulted.
- This equipment is designed to be used with authorized parts only. When using this equipment with parts that do not comply with the minimum specifications and safety devices of the equipment manufacturer, the user assumes all risks and liabilities.
- Check all hoses for cuts, leaks, abrasion or bulging of cover, as well as damage or movement of couplings before each use. If any of these conditions exist, replace the hose immediately. Never repair a paint hose.
- Never aim the spray gun at any part of the body.
- Wear protective eyewear.

HAZARD: SKIN BURN INJURY— Heated parts can cause severe skin burn injury.

PREVENTION:

- Quick-disconnect fittings on the hose and the spray gun become hot during use. Avoid skin contact with any quick-disconnect fittings when they are hot. Allow the quick disconnect fittings to cool before disconnecting the spray gun from the hose
- The compressor becomes hot during use. Allow the compressor to cool before touching it.

HAZARD: HAZARDOUS VAPORS — Paints, solvents, insecticides, and other materials may be harmful if inhaled causing severe nausea, fainting, or poisoning.

PREVENTION:

- Use a respirator or mask whenever there is a chance that vapors may be inhaled. Read all instructions with the mask to insure that it will provide the necessary protection against the inhalation of harmful vapors.

HAZARD: EXPLOSION — Compressed air has great force and may cause injury.

PREVENTION:

- The maximum operating range of the unit is 125 PSI air pressure.
- The pressure pot assembly is protected from over-pressurizing by a safety valve. Pull the ring on the safety valve occasionally to make sure that the valve operates freely. The valve must be replaced if it does not operate freely or if it does not release air when the ring is pulled.
- Never modify the pressure pot or the compressor.
- All accessories must be rated at or above 125 PSI. This includes spray tips, guns, extensions, hoses, and other tools.

HAZARD: EXPLOSION OR FIRE — Solvent and paint fumes can explode or ignite causing property damage and or severe injury.

PREVENTION:

- Exhaust and fresh air introduction must be provided to keep the air within the spray area free from the accumulation of flammable vapors.
- Keep the turbine at the maximum distance possible from the spray area.
- Avoid all ignition sources such as static electricity sparks, open flames, pilot lights, hot objects, cigarettes, and sparks caused by connecting and disconnecting power cords and operating light switches.
- Keep the motor away from spray area to avoid solvent and paint fumes. Motor contains arcing parts which emit sparks.
- Fire extinguishing equipment must be present and in working order.
- The power cord must be connected to a grounded circuit.
- Follow the material and solvent manufacturer's safety precautions and warnings.

Grounding Instructions

This product must be grounded. In the event of an electrical short circuit, grounding reduces the risk of electric shock by providing an escape wire for the electric current. This product is equipped with a cord having a grounding wire with an appropriate grounding plug. The plug must be plugged into an outlet that is properly installed and grounded in accordance with all local codes and ordinances.

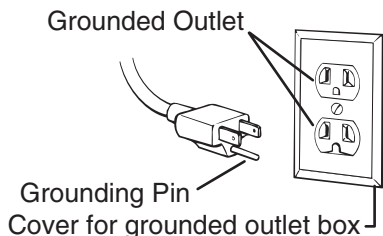


Improper installation of the grounding plug can result in a risk of electric shock.

If repair or replacement of the cord or plug is necessary, do not connect the green grounding wire to either flat blade terminal. The wire with insulation having a green outer surface with or without yellow stripes is the grounding wire and must be connected to the grounding pin.

Check with a qualified electrician or serviceman if the grounding instructions are not completely understood, or if you are in doubt as to whether the product is properly grounded. Do not modify the plug provided. If the plug will not fit the outlet, have the proper outlet installed by a qualified electrician.

This product is for use on a nominal 120 volt circuit and has a grounding plug that looks like the plug illustrated below.



Extension Cord Selection

If an extension cord is used, make sure that it is of the 3-conductor type with NEMA connectors so a continuous grounding circuit is provided from the tool to the power circuit receptacle. Also, be sure that the conductor size is large enough to prevent excessive voltage drop which will cause loss of power and possible motor damage to the unit. A table of recommended extension cord sizes is shown below.

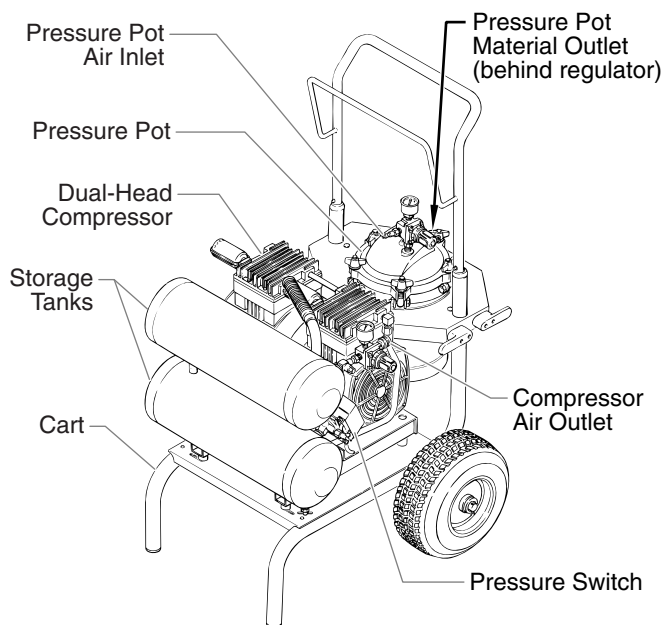
If an extension cord is to be used outdoors, it must be marked with the suffix W-A following the cord type designation. For example, SJTW-A to indicate that it is acceptable for outdoor use.

Use only a 3-wire extension cord that has a 3-blade grounding plug and a 3-slot receptacle that will accept the plug on the product. Make sure your extension cord is in good condition. When using an extension cord, be sure to use one heavy enough to carry the current your product will draw. An undersized cord will cause a drop in line voltage resulting in loss of power and overheating. A 14 or 12 gauge cord is recommended.

NOTE: Do not use more than 100 feet of extension cord. If you need to paint further than 100 feet from your power source, use more paint hose, not more extension cord. Shorter extension cords will ensure maximum electrical power for proper operation.

Introduction

The CS10000 HVLP spray system is designed for use as a large capacity, fine finish spray painting tool. Components of the spray system include a dual-head compressor, a cart, a compressor air outlet, a pressure switch, a pressure pot, a pressure pot air inlet, and a pressure pot material outlet.



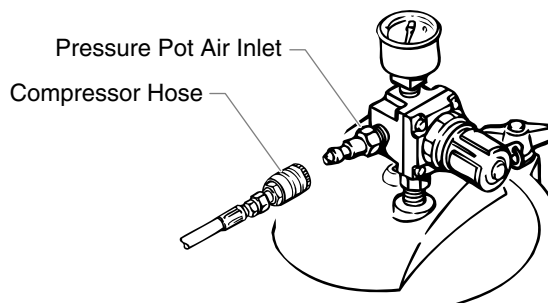
NOTE: The dual-head compressor can be used to supply air for other air-powered tools. A tee fitting on the compressor air outlet allows the installation of an additional regulator.

Setup

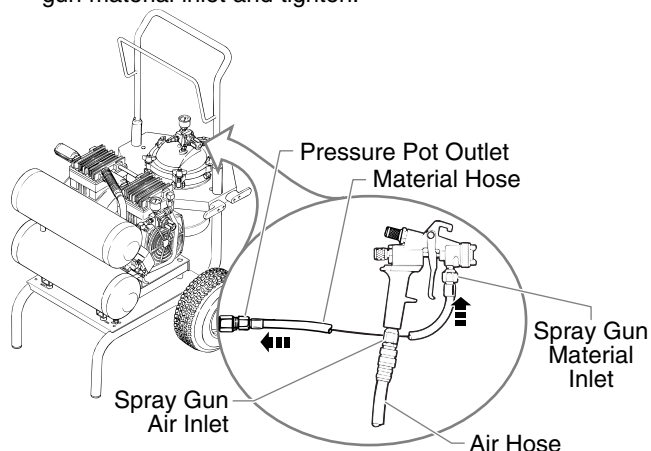
Connecting the Spray System

1. Make sure the ON/OFF lever on the pressure switch is on the OFF position.
2. Connect the compressor hose from the lower storage tank to the pressure pot air inlet.

NOTE: The hose features quick-disconnect fittings. To use, pull back on the spring-loaded collar of each fitting. Slide the hose fitting over the correct connection and release the collar.



3. Thread the end of the material hose onto the pressure pot material outlet and tighten.
4. Thread the other end of the material hose onto the spray gun material inlet and tighten.

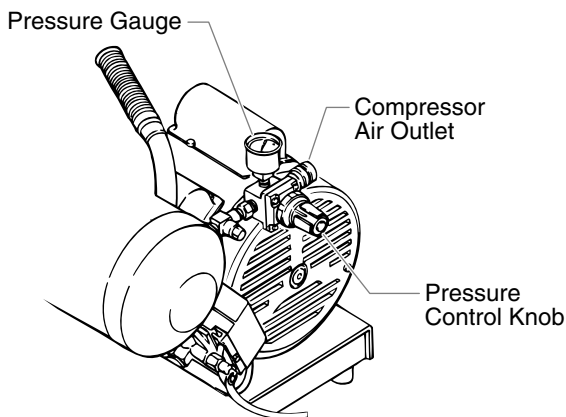
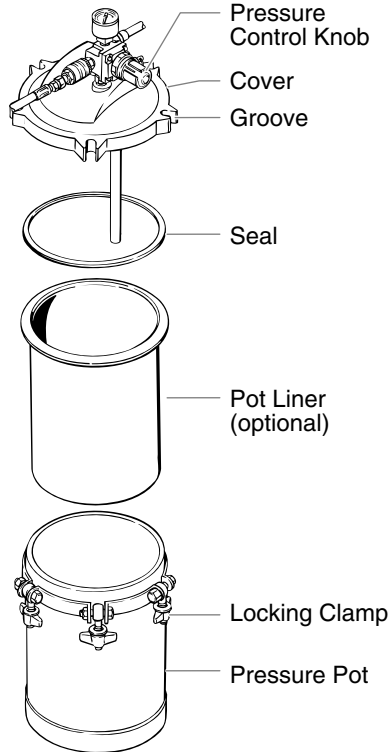


5. Connect the air hose to compressor air outlet.
6. Thread the other end of the air hose onto the spray gun air inlet and tighten.

Operation

Startup

- Place the unit in a clean, dry and well-ventilated area. The compressor should be located at least 12" from walls or other obstructions that could interfere with the flow of air.
- Fill the pressure pot with spray material.
- Fasten the cover securely onto the pressure pot by placing the five locking clamps into the cover grooves and rotating each clockwise until hand tight. Be certain that the seal is in place.
- Plug in the power cord for the compressor.
- Move the ON/OFF lever on the pressure switch to the ON position to start the compressor. Allow the tank pressure to build. When the motor stops, the compressor has reached cut-out pressure, and the system is ready for use.
- Pull out the pressure control knob on the pressure pot and turn it until the pressure pot pressure is set properly for the type of material you are using.
 - For thin materials, set to 8 PSI.
 - For thicker materials, set to between 8 and 14 PSI.
- Pull out the pressure control knob on the compressor air outlet and turn it until the gun pressure is set properly for the type of material you are using. (see spray chart for reference).



- Practice spraying on a piece of scrap wood or cardboard until you are satisfied with the pot pressure, gun air pressure, spray pattern, and spray shape. The spray pattern adjustments and spray shape selections are described in your gun manual.

Shutdown

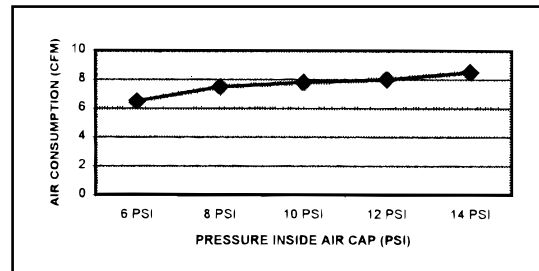
- Move the ON/OFF lever on the pressure switch to the OFF position.
- Allow the compressor to cool.
- Drain the storage tanks (refer to compressor manual for procedure).

Spray Charts

Spraying Pressure ~ Air Consumption

Pressure Inside Cap	Air CFM	Compressor Pressure*
6 PSI	6.5	9
8 PSI	7.5	15
10 PSI	7.8	18
12 PSI	8	20
14 PSI	8.5	24

*The pressure at the compressor air outlet when spraying gun.



Français

⚠️ AVERTISSEMENT

DANGER: GÉNÉRAUX — Risques de dommages matériels et de blessures graves.

PRÉVENTION:

- Lire toutes les directives et mises en garde avant de faire fonctionner l'équipement, quel qu'il soit.
- Se conformer à tous les codes locaux, provinciaux et nationaux qui régissent la ventilation, la prévention des incendies et le fonctionnement des dispositifs.
- Les normes de sécurité adoptées par le gouvernement américain l'ont été en vertu de sa Occupational Safety and Health Act (OSHA); ces normes, particulièrement les parties 1910 des normes générales et 1926 des normes de construction, devraient toujours être consultées.
- Cet équipement est conçu pour fonctionner avec les pièces autorisées seulement. Si on l'utilise avec des pièces non conformes aux spécifications et exigences en matière de sécurité du fabricant, on devra accepter les responsabilités et risques inhérents.
- On doit s'assurer que les tuyaux soient exempts de coupures, de fuites, d'abrasions ou de renflements et que les raccords ne soient ni endommagés ni mal assujettis avant chaque usage. Le cas échéant, il faut remplacer le tuyau sur le champ, en ne tentant jamais de le réparer.
- On ne doit jamais orienter le pistolet vers une partie du corps.

DANGER: DANGER DE BRÛLURE — Les pièces chauffées peuvent causer de graves brûlures cutanées.

PRÉVENTION:

- Les raccords à dégagement rapide du tuyau flexible et du pistolet peuvent s'échauffer en cours d'utilisation; il faut alors éviter les contacts cutanés, en attendant que les raccords refroidissent avant de séparer le pistolet du tuyau.
- Le compresseur devient chaud à l'utilisation. Le laisser refroidir avant d'y toucher.

DANGER: ÉMANATIONS DANGEREUSES — Les peintures, les solvants, les insecticides et autres substances peuvent être dangereuses si inhalées, entraînant de graves nausées, des pertes de connaissance ou une intoxication.

PRÉVENTION:

- Utiliser un masque ou un respirateur en présence de risques d'inhalation. Lire toutes les directives relatives au dispositif de protection afin d'en assurer l'efficacité dans l'usage auquel il est destiné.

DANGER: EXPLOSION — L'air comprimé est très puissant et peut provoquer des blessures.

PREVENTION:

- L'ensemble réservoir est protégé contre la surpression par une soupape de sécurité. De temps en temps, tirer sur l'anneau de la soupape de sécurité pour vérifier qu'elle fonctionne normalement. Remplacer la soupape si elle ne fonctionne pas bien ou si elle ne laisse pas passer l'air quand on tire sur l'anneau.
- Ne jamais modifier le réservoir sous pression ni le compresseur.
- Ne connecter aucun autre outil pneumatique au compresseur.

DANGER: D'EXPLOSION OU D'INCENDIE — Les émanations de solvants et de peintures peuvent exploser ou s'enflammer, entraînant des dommages matériels ou des blessures graves.

PRÉVENTION:

- On doit assurer la ventilation et l'introduction d'air neuf dans la zone de pulvérisation afin d'éviter les accumulations de vapeurs inflammables.
- Placer la turbine le plus loin possible de la zone de pulvérisation.
- Il faut éviter les sources de combustion comme l'électricité statique, les flammes nues, les veilleuses de bec de gaz, les objets chauds, les cigarettes et les étincelles provoquées par la connexion/déconnexion de cordon d'alimentation et la commutation d'interrupteurs d'éclairage.
- Placer le moteur le plus loin possible de la zone de pulvérisation pour l'éloigner des vapeurs de solvant et de peinture. Le moteur contient des pièces qui peuvent émettre des étincelles.
- On doit avoir à portée de la main de l'équipement d'extinction en bon état de marche.
- Le cordon d'alimentation doit être raccordé à un circuit mis à la terre.
- S'assurer de suivre les directives en matière de sécurité et de lire les mises en garde du fabricant des solvants et des produits utilisés.

Español

⚠️ ADVERTENCIA

PELIGRO: GENERAL — Puede causar daños en la propiedad o lesiones severas.

PREVENCIÓN:

- Lea todas las instrucciones y advertencias de seguridad antes de hacer funcionar cualquier equipo.
- Cumpla con todos los códigos locales, estatales y nacionales de ventilación, prevención de incendios y operación que rijan.
- Los Estándares de Seguridad del Gobierno de los Estados Unidos se han adoptado bajo el Decreto de Seguridad y Salud Ocupacionales (OSHA por sus siglas en inglés). Deben consultarse estos estándares, particularmente la parte 1910 de los Estándares Generales y la parte 1926 de los Estándares de la Construcción.
- Este equipo está diseñado para usarse solamente con piezas autorizadas por el fabricante. Cuando se use este equipo con piezas que no cumplan con las especificaciones mínimas ni con las de los dispositivos de seguridad del fabricante de la bomba, el usuario asumirá todos los riesgos y responsabilidades legales.
- Cada vez, antes de usarlo, revise todas las mangueras para ver que no tengan cortadas, fugas, una cubierta desgastada por abrasión o con abolladuras, así como uniones dañadas o que se hayan movido. Si existiera cualquiera de estas condiciones, reemplace la manguera inmediatamente. Nunca repare una manguera de pintura.
- Nunca apunte la pistola hacia alguna parte del cuerpo.

PELIGRO: QUEMADURA DE LA PIEL — Las piezas calientes pueden causar lesiones de quemadura de la piel severas.

PREVENCIÓN:

- Las conexiones de desconexión rápida de la manguera y la pistola de atomización se llegan a calentar mientras se usan. Evite que la piel tenga contacto con las conexiones de desconexión rápida cuando se calienten. Deje que las conexiones de desconexión rápida se enfrien antes de desconectar la pistola de atomización de la manguera.
- El compresor se calienta durante el uso. Permita que el compresor se enfríe antes de tocarlo.

PELIGRO: VAPORES PELIGROSOS — Las pinturas, solventes, insecticidas y otros materiales pueden ser peligrosos si se inhalan; pueden causar náuseas, desmayos o envenenamientos severos.

PREVENCIÓN:

- Use un respirador o una mascarilla siempre que exista el riesgo de poder inhalar los vapores. Lea las instrucciones de la mascarilla para asegurarse de que proporcionará la protección necesaria contra la inhalación de vapores dañinos.

PELIGRO: EXPLOSION — El aire comprimido tiene una gran fuerza y pudiera causar lesiones.

PREVENCIÓN:

- El ensamble del tanque de presión está protegido con una válvula de seguridad en caso de una sobre presurización. Ocasionalmente jale la argolla de la válvula de seguridad para asegurarse que la válvula opere libremente. En caso de no operar con libertad o si la válvula no libera aire cuando se jala la argolla, debe cambiarse.
- Nunca modifique el tanque de presión o el compresor.
- Nunca conecte otras herramientas de aire al compresor.

PELIGRO: INCENDIO O EXPLOSIÓN — Los vapores de los solventes y pinturas pueden explotar o encenderse y causar con esto daños en la propiedad y/o lesiones severas.

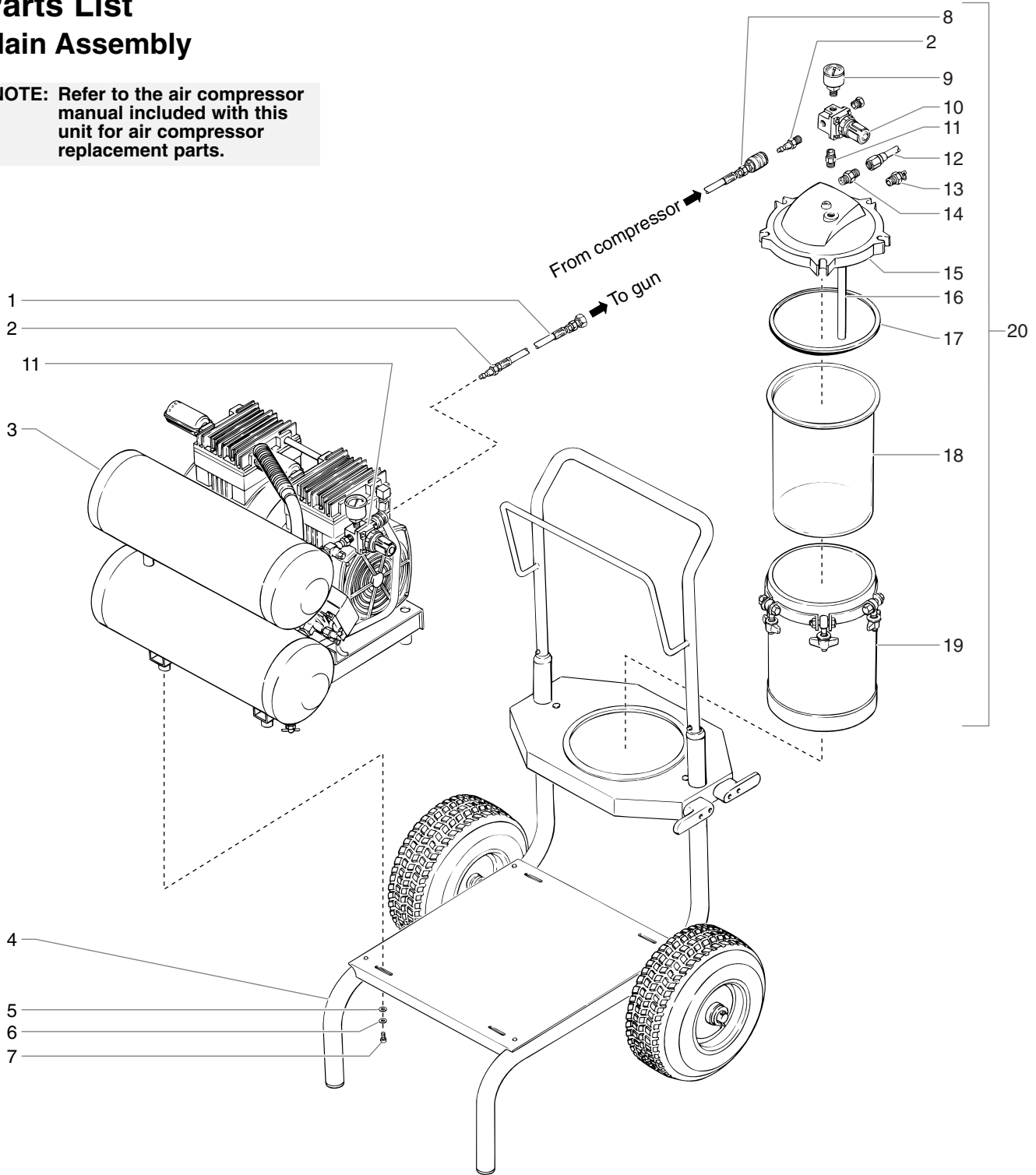
PREVENCIÓN:

- Se deberá contar con un escape y entrada de aire fresco para mantener el aire del área de atomización libre de acumulaciones de vapores inflamables.
- Mantenga la turbina a la máxima distancia posible del área de pintado.
- Evite que haya cualquier fuente de ignición como la electricidad estática, llamas abiertas, flamas de pilotos, objetos calientes, cigarrillos y chispas que provengan de conectar y desconectar cables de energía e interruptores de luces que estén funcionando.
- Mantenga el motor alejado del área de pintado para evitar vapores de solvente y pintura. El motor contiene partes que al arquear producen chispas.
- Debe haber equipo para extinción de incendios que además funcione bien.
- El cable de energía debe conectarse en un circuito que esté conectado a tierra.
- Siga las medidas de precaución y advertencias de seguridad del fabricante del material y del solvente.

Parts List

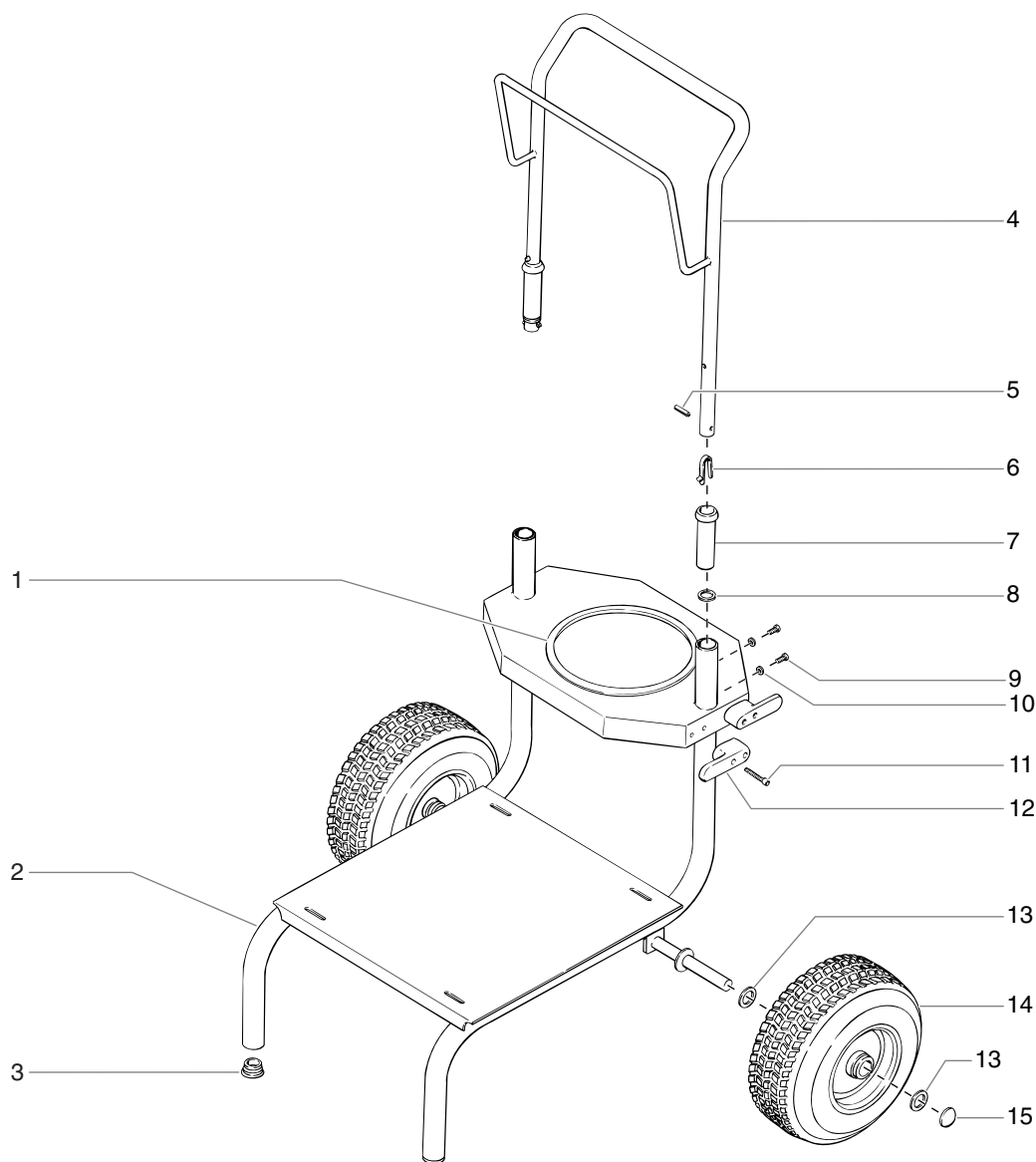
Main Assembly

NOTE: Refer to the air compressor manual included with this unit for air compressor replacement parts.



Item	Part #	Description	Quantity	Item	Part #	Description	Quantity
1	0295689	Air hose	1	12	0277348	Hose, material (connects to gun)	1
2	0275696	Fitting, air, 1/4" male, quick connect	2	13	0295700	Relief valve	1
3	0295691	Compressor	1	14	0295701	Fitting, fluid	1
4	-----	Cart assembly (see separate listing)	1	15	0295702	Lid	1
5	9820206	Washer	4	16	0295703	Tube, pick up	1
6	9821503	Lock washer	4	17	0508943	Pot gasket	1
7	0295695	Screw	4	18	0275702	Pot liner	1
8	0275721	Check valve	1	19	0279284	Pressure pot	1
9	0279427	Pressure gauge, 60 psi	1	20	0295040	Pressure pot assembly (Includes Items 8-11 and 13-19)	1
10	0275693	Regulator	2	21	0279647	Pot liner "Caution" label (not shown)	1
11	05045	Fitting, 1/4" x 1/8"	1				

Cart Assembly



Item	Part #	Description	Quantity	Item	Part #	Description	Quantity
1	0295611	Hole trim	1	9	0295608	Screw	4
2	0295725	Cart weldment, CS10000	1	10	0509386	Washer	4
3	9885571	Plug.....	2	11	0293357	Screw	4
4	0508144	Handle	1	12	0279437	Cord wrap	2
5	0295610	Roll pin.....	2	13	0294534	Spacer washer	4
6	9841504	Snap button	2	14	0507379	Wheel.....	2
7	0295607	Sleeve.....	2	15	9890104	Hub cap	2
8	0295609	Washer.....	2				

Limited Warranty - High Volume, Low Pressure Spray Equipment

What Is Covered By This Warranty:

This product, manufactured by CAPspray, is warranted against defects in material and workmanship for one (1) year following date of purchase if operated in accordance with CAPspray's printed recommendations and instructions.

Within the applicable warranty period, CAPspray will repair or replace, at our option, defective parts without charge if such parts are returned with transportation charges prepaid to the nearest Authorized Service Center or to CAPspray Corporation, 1770 Fernbrook Lane, Minneapolis, MN 55447. If CAPspray is unable to repair this product as to conform to this Limited Warranty after a reasonable number of attempts, CAPspray will provide, at our option, either a replacement for this product or a full refund of the purchase price of this product. These remedies are the sole and exclusive remedies available for breach of express and implied warranties.

What is Not Covered By This Warranty:

1. This Warranty does not cover any defects or damages caused by either:
 - a) the use or installation of repair or replacement parts or accessories not manufactured by CAPspray, or
 - b) repair performed by anyone other than a CAPspray Authorized Service Center.
2. The Warranty does not cover equipment and accessories supplied to CAPspray from an original equipment manufacturer, including but not limited to: hoses, tips, or accessories. CAPspray will provide the purchaser with copies of the original equipment manufacturer's express warranties provided to CAPspray along with the name and address of the appropriate manufacturer. In the case of the compressor, the manufacturer has extended the warranty — first year for parts and service, second year on parts only.
3. This Warranty does not cover damage or defects caused by or related to abrasion, corrosion, abuse, misuse, negligence, accident, normal wear, faulty installation or tampering in a manner which impairs normal operation.

Limitation of Remedies:

IN NO CASE SHALL CAPSPRAY BE LIABLE FOR ANY INCIDENTAL, SPECIAL OR CONSEQUENTIAL DAMAGES OR LOSS, INCLUDING TRANSPORTATION COSTS, WHETHER SUCH DAMAGES ARE BASED UPON A BREACH OF EXPRESS OR IMPLIED WARRANTIES, BREACH OF CONTRACT, NEGLIGENCE, STRICT TORT, OR ANY OTHER LEGAL THEORY.

Disclaimer Of Implied Warranties:

THE FOREGOING WARRANTIES ARE IN LIEU OF ALL OTHER WARRANTIES, EXPRESS OR IMPLIED, INCLUDING BUT NOT LIMITED TO THE IMPLIED WARRANTIES OF MERCHANTABILITY AND FITNESS FOR A PARTICULAR PURPOSE.

No Ability To Transfer:

This warranty is extended to the original purchaser only and is not transferable.

Your Rights Under State Law:

Some states do not allow limitations on how long an implied warranty lasts or the exclusion of incidental or consequential damages, so the above limitation and exclusion may not apply to you. This warranty gives you specific legal rights, and you may also have other rights which vary from state to state.

Patents

These products are covered by one or more of the following U.S. patents:

5,423,395	D322,790	5,181,832	D338,208	5,174,610	5,550,336	D365,569
5,556,255	5,639,222	5,702,131	5,558,492	5,573,371	5,772,711	

SprayTECH 30-Day Satisfaction Guarantee

If, within a 30-day period from the date of purchase, you are not totally satisfied with a SprayTECH/CAPspray unit, you may return it for full credit toward another SprayTECH or CAPspray product of equal or greater value.