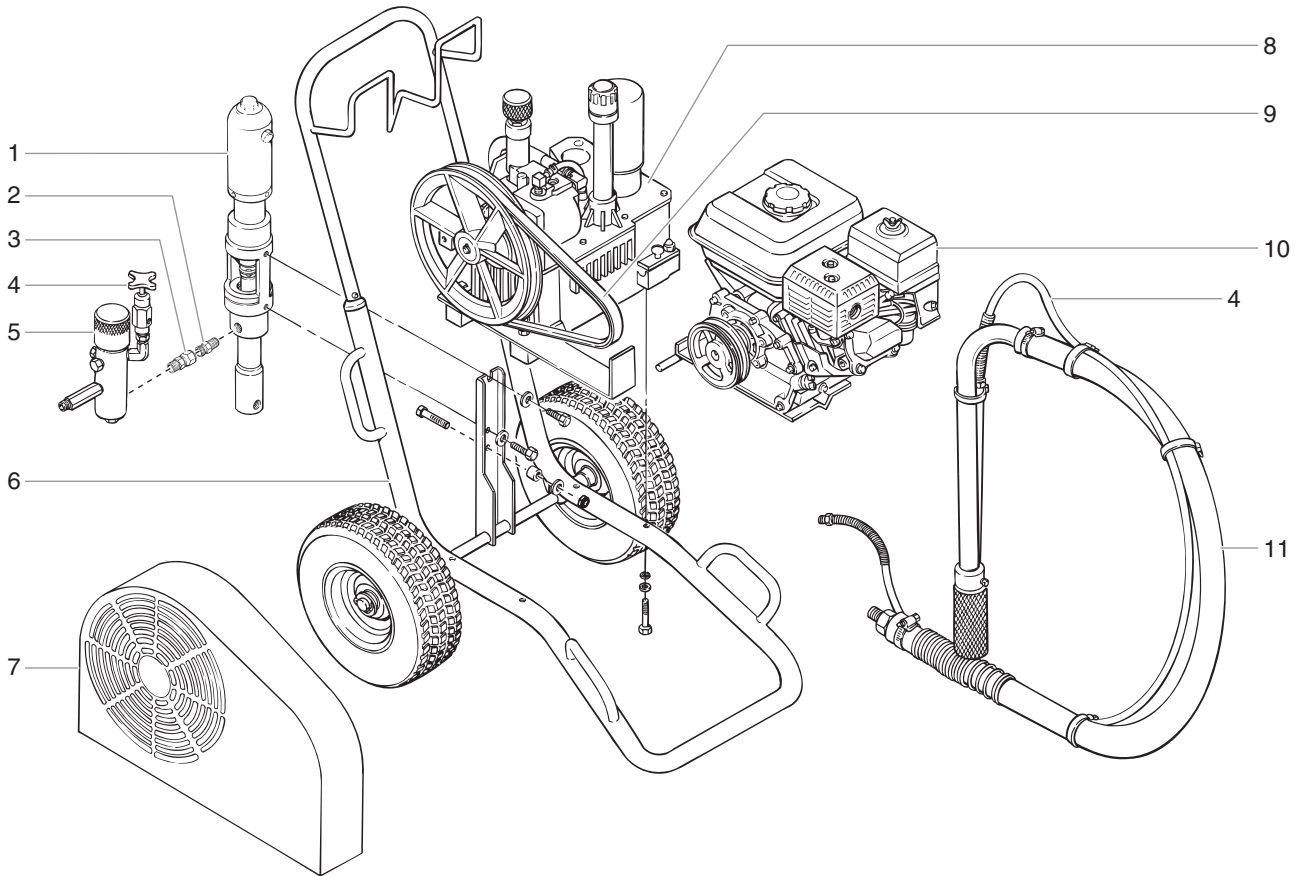


Correction

PowrTwin 12000GH

NOTE: The following parts lists replace those shown in your manual.

Main Assembly

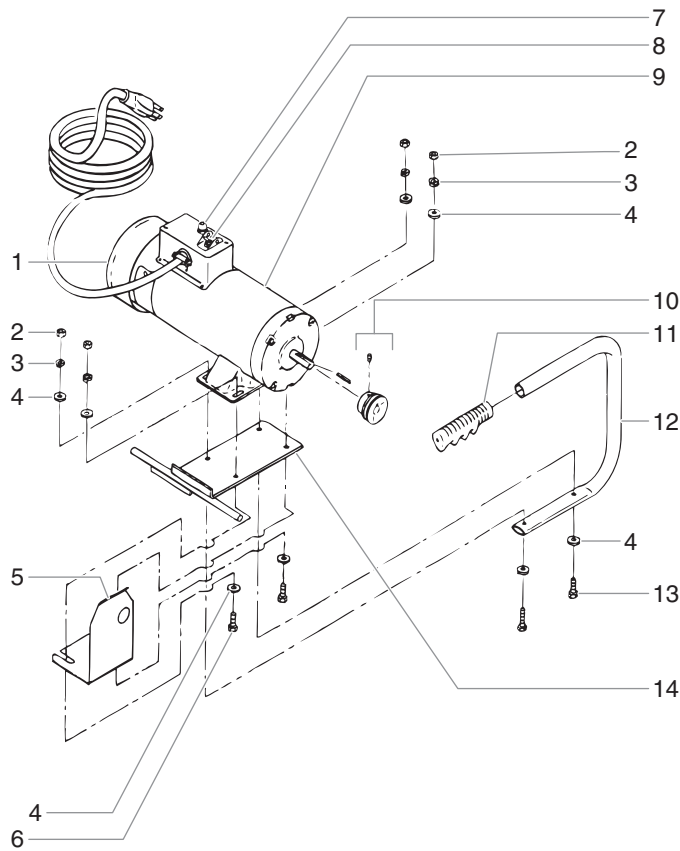


Item	Part #	Description	Quantity
1	236-144	Motor/pump assembly	1
2	228-002	Adapter.....	1
3	200-555	Swivel adapter.....	1
4	840-211	Bleed hose assembly w/valve	1
5	930-514	Filter assembly	1
6	449-927	Cart assembly	1
7	449-934	Belt guard assembly.....	1

Item	Part #	Description	Quantity
8	-----	Hydraulic system	1
9	449-986	Belt, "V"	1
10	506-277	Convertokit, 9 HP, Honda, gasoline (gas model)	1
11	103-830	Siphon hose assembly, 1" x 4.5".....	1
12	506-207	Convertokit, DC electric, 115V (electric model, not shown)	1

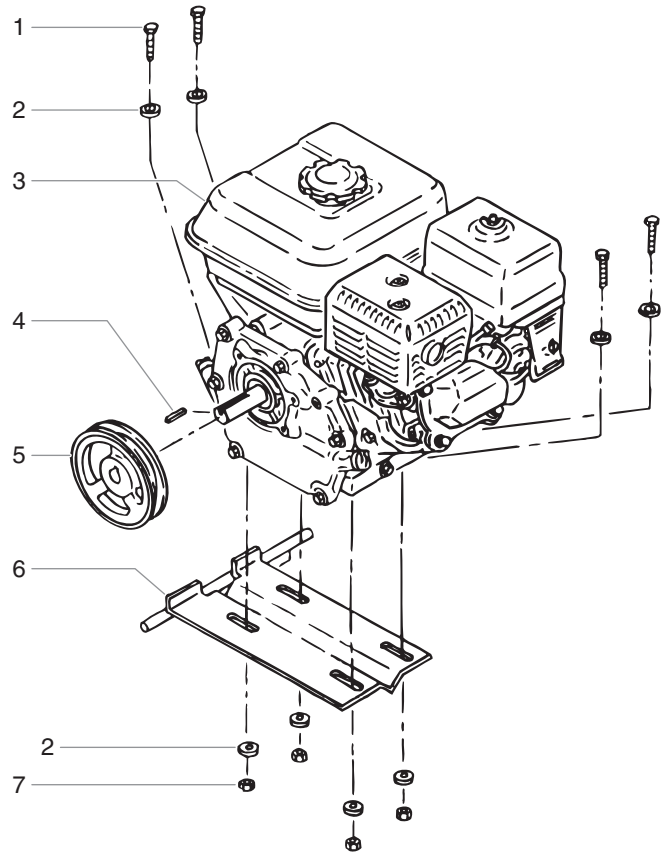
NOTE: The following parts lists replace those shown in your manual.

DC — Electric Convertokit (P/N 506-207)



Item	Part #	Description	Quantity
1	506-259	Cover.....	1
2	860-501	Nut stop.....	4
3	860-002	Lock washer.....	4
4	860-004	Flat washer.....	8
5	459-016	Motor shaft shield.....	1
6	860-535	Screw.....	2
7	506-257	Circuit breaker reset.....	1
8	506-260	ON/OFF switch.....	1
9	978-350	Motor, DC-Electric, 2 HP, 50 / 60 Hz, 115 V.....	1
10	977-228	Pulley.....	1
11	590-068	Handle grip.....	1
12	335-017	Handle.....	1
13	860-552	Screw.....	2
14	459-005	Mount plate.....	1
15	506-255	Rectifier (not shown).....	1
16	506-258	Fan (not shown).....	1
17	449-986	Belt, "V" (not shown, not part of assembly)	

Gas Convertokit (P/N 506-277)



Item	Part #	Description	Quantity
1	860-460	Screw.....	4
2	862-001	Flat washer.....	8
3	764-021	Engine, gas 9 HP, Honda.....	1
4	980-307	Key.....	1
5	449-008	Pulley.....	1
6	459-003	Mounting plate, gas eng.....	1
7	862-410	Stop nut.....	4
8	449-986	Belt, "V" (not shown, not part of assembly)	