

### Important Safety Instructions



**Read all safety information before operating the equipment. Save these instructions.**



**Indicates a hazardous situation which, if not avoided, could result in death or serious injury.**

**To reduce the risks of fire or explosion, electrical shock and the injury to persons, read and understand all instructions included in this manual. Be familiar with the controls and proper usage of the equipment.**



#### WARNING: EXPLOSION OR FIRE

Solvent and paint fumes can explode or ignite. Property damage and/or severe injury can occur.

#### PREVENTION:

- Do not spray flammable or combustible materials near an open flame, pilot lights or sources of ignition such as hot objects, cigarettes, motors, electrical equipment and electrical appliances. Avoid creating sparks from connecting and disconnecting power cords.
- For units intended for use with only water-based or mineral spirit-type materials with a minimum flash point of 38°C (100°F) — Do not spray or clean with liquids having a flash point of less than 38°C (100°F). Flash point is the temperature at which a fluid can produce enough vapor to ignite.
- Use extreme caution when using materials with a flashpoint below 100°F (38°C). **Refer to your pump manual to determine if these materials can be sprayed.**
- Paint or solvent flowing through the equipment is able to result in static electricity. Static electricity creates a risk of fire or explosion in the presence of paint or solvent fumes. All parts of the spray system, including the pump, hose assembly, spray gun and objects in and around the spray area shall be properly grounded to protect against static discharge and sparks. Use only conductive or grounded high-pressure airless paint sprayer hoses specified by the manufacturer.
- Verify that all containers and collection systems are grounded to prevent static discharge.
- Connect to a grounded outlet and use grounded extension cords (electric models only). Do not use a 3 to 2 adapter.
- Do not use a paint or solvent containing halogenated hydrocarbons. Such as chlorine, bleach mildewcide, methylene chloride and trichloroethane. They are not compatible with aluminum. Contact the coating supplier about compatibility of material with aluminum.
- Keep spray area well ventilated. Keep a good supply of fresh air moving through the area to keep the air within the spray area free from accumulation of flammable vapors. Keep pump assembly in well ventilated area. Do not spray pump assembly.
- Do not smoke in the spray area.
- Do not operate light switches, engines, or similar spark producing products in the spray area.
- Keep area clean and free of paint or solvent containers, rags, and other flammable materials.
- Know the contents of the paint and solvents being sprayed. Read all Material Safety Data Sheets (MSDS) and container labels provided with the paints and solvents. Follow the paint and solvent manufacturer's safety instructions.
- Place pump at least 25 feet (7.62 meters) from the spray object in a well ventilated area (add more hose if necessary). Flammable vapors are often heavier than air. Floor area must be extremely well ventilated. The pump contains arcing parts that emit sparks and can ignite vapors.
- Plastic can cause static sparks. Never hang plastic to enclose spray area. Do not use plastic drop cloths when spraying flammable material.
- Fire extinguisher equipment shall be present and working.



#### WARNING: INJECTION INJURY

A high pressure paint stream produced by this equipment can pierce the skin and underlying tissues, leading to serious injury and possible amputation. See a physician immediately.

#### PREVENTION:

- Do not aim the gun at, or spray any person or animal.
- Keep hands and other body parts away from the discharge. For example, do not try to stop leaks with any part of the body.

- NEVER put your hand in front of the gun. Gloves will not provide protection against an injection injury.
- ALWAYS keep the tip guard in place while spraying. The tip guard provides some protection but is mainly a warning device.
- Only use a nozzle tip specified by the manufacturer.
- Use caution when cleaning and changing nozzle tips. In the case where the nozzle tip clogs while spraying, ALWAYS lock gun trigger, shut pump off, and release all pressure before servicing, cleaning tip or guard, or changing tip. Pressure will not be released by turning off the motor. The PRIME/SPRAY valve or pressure bleed valve must be turned to their appropriate positions to relieve system pressure. Refer to PRESSURE RELIEF PROCEDURE described in the pump manual.
- Do not leave the unit energized or under pressure while unattended. When the unit is not in use, turn off the unit and relieve the pressure in accordance with the manufacturer's instructions.
- High-pressure spray is able to inject toxins into the body and cause serious bodily injury. In the event that injection occurs, seek medical attention immediately.
- Check hoses and parts for signs of damage, a leak can inject material into the skin. Inspect hose before each use. Replace any damaged hoses or parts. Only use TITAN original-high-pressure hoses in order to ensure functionality, safety and durability.
- This system is capable of producing 5000 PSI / 350 Bar. Only use replacement parts or accessories that are specified by the manufacturer and that are rated a minimum of 5000 PSI. This includes spray tips, nozzle guards, guns, extensions, fittings, and hose.
- Always engage the trigger lock when not spraying. Verify the trigger lock is functioning properly.
- Verify that all connections are secure before operating the unit.
- Know how to stop the unit and bleed pressure quickly. Be thoroughly familiar with the controls. Pressure will not be released by turning off the motor. The PRIME/SPRAY valve or pressure bleed valve must be turned to their appropriate positions to relieve system pressure. Refer to PRESSURE RELIEF PROCEDURE described in the pump manual.
- Always remove the spray tip before flushing or cleaning the system.

#### NOTE TO PHYSICIAN:

**Injection into the skin is a traumatic injury which can lead to possible amputation. It is important to treat the injury as soon as possible. DO NOT delay treatment to research toxicity. Toxicity is a concern with some coatings injected directly into the blood stream. Consultation with a plastic surgeon or reconstructive hand surgeon may be advisable.**



#### WARNING: GENERAL

Can cause severe injury or property damage.

#### PREVENTION:

- Always wear appropriate gloves, eye protection, clothing and a respirator or mask when painting.
- Do not operate or spray near children. Keep children away from equipment at all times.
- Do not overreach or stand on an unstable support. Keep effective footing and balance at all times.
- Stay alert and watch what you are doing.
- Do not operate the unit when fatigued or under the influence of drugs or alcohol.
- Do not kink or over-bend the hose. Airless hose can develop leaks from wear, kinking and abuse. A leak can inject material into the skin.
- Do not expose the hose to temperatures or pressures in excess of those specified by manufacturer.
- Do not use the hose as a strength member to pull or lift the equipment.
- Use lowest possible pressure to flush equipment.
- Follow all appropriate local, state and national codes governing ventilation, fire prevention and operation.
- The United States Government Safety Standards have been adopted under the Occupational Safety and Health Act (OSHA). These standards, particularly part 1910 of the General Standards and part 1926 of the Construction Standards should be consulted.
- Before each use, check all hoses for cuts, leaks, abrasion or bulging of cover. Check for damage or movement of couplings. Immediately replace hose if any of those conditions exist. Never repair a paint hose. Replace with a conductive high-pressure hose.
- Do not spray outdoors on windy days.
- Always unplug cord from outlet before working on equipment (electric models only).

## Using the Gun Trigger Lock

Always engage the gun's trigger lock when the gun is not in use.

1. To lock the trigger, rotate the trigger lock forward until it stops.
2. To unlock the trigger, rotate the trigger lock backward until it is vertical.



Trigger locked  
(gun will not spray)



Trigger unlocked  
(gun will spray)

## Setup



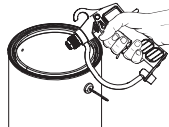
**Never attempt to assemble, change, or clean the gun, tip, or tip guard without first relieving pressure from the spray system. Follow the "Pressure Relief Procedure" in the sprayer's Owner's Manual.**



**Always use a tip safety guard for added protection against injection. Beware that the guard alone will not prevent injection. Never cut off tip guard! Always engage gun trigger lock when the gun is not in use. Before servicing equipment, consult Owner's Manuals and follow all warnings.**

## Pressure Relief Procedure

1. Move the spray unit's ON/OFF switch to the OFF position.
2. Turn the spray unit's pressure control knob counterclockwise to its lowest setting.
3. Hold the metal part of the gun firmly to the side of a metal container to ground the gun and avoid a build up of static electricity.
4. Trigger the gun into the container to remove any pressure that may still be in the hose.
5. Lock the gun by turning the gun trigger lock to the locked position.
6. Turn the spray unit's PRIME/SPRAY valve to the PRIME position.



## Assembling the Gun and Tip Assembly

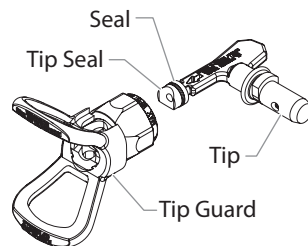
**IMPORTANT: Before attaching a gun to a grounded high pressure airless hose, make sure that the airless spray unit is turned off and that fluid pressure has been relieved from the system.**

### Assembling the Gun

1. Connect a high pressure fluid hose to the material inlet on the gun. Tighten securely with a wrench.
2. With the tip and tip guard off the gun, start the spray unit. Flush the system according to the manufacturer's recommendation. Inspect the unit to make sure that all fittings are secure and that there are no leaks.
3. Perform the "Pressure Relief Procedure" described earlier in this manual.

### Assembling the Tip

1. Using the tip handle, insert the tip seal and seal into the back of the tip guard. Press in for final adjustment.
2. Insert the tip into the slot on the tip guard.
3. Thread the tip guard onto the gun. Position the tip guard in the desired spraying position, then tighten securely by hand.



**NOTE: The arrow on the tip handle should be pointing in the forward direction for spraying.**

## Changing a Tip

Tips can be removed and replaced easily without disassembling the gun.

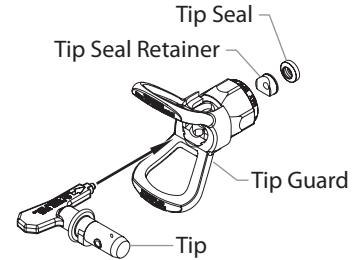


**Never attempt to change or clean the tip or tip guard without first performing the "Pressure Relief Procedure."**

1. Perform the "Pressure Relief Procedure" described earlier in this manual.
2. Remove the tip from the slot on the tip guard.
3. Insert the new tip into the slot on the tip guard. The arrow on the tip handle should be pointing in the forward direction for spraying.

## Removing the Seal and Tip seal

1. Remove the tip from the tip guard.
2. Insert the tip handle through the front of the tip guard.
3. Push the seal and tip seal out through the back of the tip guard.



## Identifying Tip Sizes

To identify tip sizes, use the following formula. A "517" tip size will be used in this example.

The first digit multiplied by two represents the size of the spray pattern when spraying 12" away from the work surface:

$$5 \times 2 = 10" \text{ spray pattern}$$

The second two digits represent the diameter of the orifice on the tip:

$$17 = .017" \text{ orifice}$$

**NOTE: Worn spray tips will adversely affect the spray pattern and result in reduced production, poor finish, and wasted material. Replace worn tips immediately.**

## Cleanup

Maintaining a clean gun is important to ensure trouble-free operation. Flush the gun after each use and store in a dry location. Do not leave the gun or any of its parts in water or solvents.



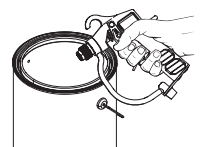
**Special cleanup instructions for use with flammable solvents:**

- Always flush spray gun preferably outside and at least one hose length from spray pump.
- If collecting flushed solvents in a one gallon metal container, place it into an empty five gallon container, then flush solvents.
- Area must be free of flammable vapors.
- Follow all cleanup instructions.

**IMPORTANT: The sprayer, hose, and gun should be cleaned thoroughly after daily use. Failure to do so permits material to cake, seriously affecting the performance of the unit.**



**Always spray at minimum pressure with the tip and tip guard removed when using mineral spirits or any other solvent to clean the sprayer, hose, or gun. Static electricity buildup may result in a fire or explosion in the presence of flammable vapors. Hold the gun firmly against a metal container while flushing.**



**Always remove the tip/tip guard, adjust the pressure to its lowest setting, and hold the gun firmly against a metal container while flushing.**

## Maintenance



Follow all safety precautions as described in the Safety Precautions section of this manual before proceeding.

**NOTE:** Refer to the Parts List section in this manual for part identification.

### Replacing/Serviceing the Seal Assembly

If your spray gun leaks or spits at the tip when you release the trigger, the needle or seat is worn, damaged, or dirty and must be replaced or cleaned.



**Never attempt to perform maintenance on the spray gun without first performing the “Pressure Relief Procedure.”**

1. Disconnect the spray hose from the gun.
2. Remove the tip and tip guard.
3. With the trigger depressed, remove the diffuser and the copper washer from the front of the gun housing.
4. Remove the head screw, trigger pivot screw, and trigger.
5. Remove the plug from the rear of the gun housing.
6. Insert the repair tool into the passage at the rear of the gun housing, and force the seal assembly out through the front of the gun.

**NOTE:** If a repair tool is not available, remove one of the screws from the bottom of the gun handle and use it to tap on the back of the seal assembly.

7. Lubricate the o-rings on the new seal assembly.
8. Install the new seal assembly into the front of the gun housing. Using the open end of the repair tool, force the seal assembly completely into the gun housing. Push on the ball at the front of the seal assembly to ensure complete insertion.
9. Reattach the trigger, trigger pivot screw, and head screw.
10. With the trigger depressed, install the copper washer followed by the diffuser into the front of the gun housing and tighten securely with a wrench.
11. Perform the “Adjusting the Seal Assembly” procedure described below.

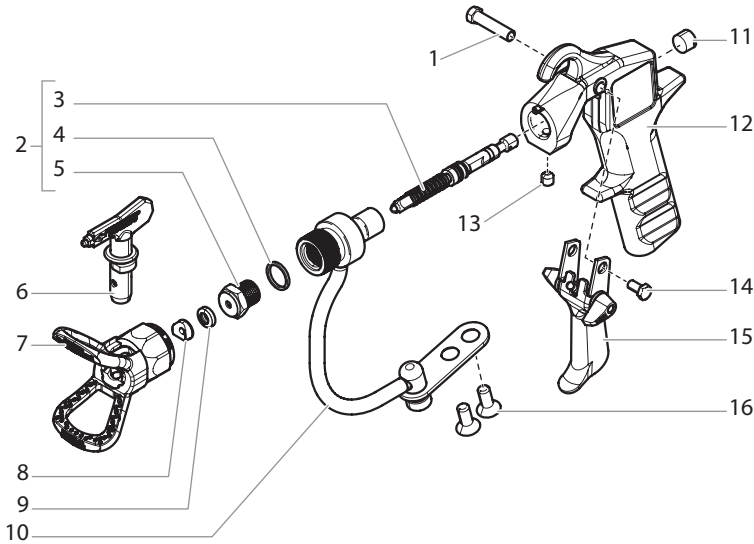
### Adjusting the Seal Assembly



**Proper adjustment of the seal assembly is essential to ensure positive shut-off when the trigger is released.**

1. Pull the trigger.
2. Insert a flat head screwdriver into the passage at the rear of the gun housing up to the seal assembly.
3. Thread the plug into the passage at the rear of the gun housing and tighten securely.

# Parts List



Item	Part #	Description	Quantity
1	520-028	Trigger pivot screw .....	1
2	520-025	Rebuilding kit (includes items 3-5).....	1
3	520-023	Seal assembly.....	1
4	520-020	Copper washer .....	1
5	520-048	Diffuser assembly .....	1
6	662-517	Tip complete (includes items 8 and 9).....	1
7	0289228	Tip guard .....	1
8	651-040	Tip seal.....	1
9	651-020	Tip gasket .....	1
10	520-408	Fluid tube assembly.....	1
11	520-034	Plug.....	1
12	520-039	Gun housing.....	1
13	520-035	Set screw.....	1
14	520-031	Head screw .....	1
15	520-045	Trigger and lock assembly .....	1
16	520-033	Head screw .....	1
	0286709	Gun side label .....	1

Accessories	
520-058	Seal assembly repacking tool
500-428	Gun-to-hose swivel
550-223	Inline filter

## Warranty

Titan Tool, Inc. ("Titan") warrants that at the time of delivery to the original purchaser for use ("End User"), the equipment covered by this warranty is free from defects in material and workmanship. With the exception of any special, limited, or extended warranty published by Titan, Titan's obligation under this warranty is limited to replacing or repairing without charge those parts which, to Titan's reasonable satisfaction, are shown to be defective within twelve (12) months after sale to the End User. This warranty applies only when the unit is installed and operated in accordance with the recommendations and instructions of Titan.

This warranty does not apply in the case of damage or wear caused by abrasion, corrosion or misuse, negligence, accident, faulty installation, substitution of non-Titan component parts, or tampering with the unit in a manner to impair normal operation.

Defective parts are to be returned to an authorized Titan sales/service outlet. All transportation charges, including return to the factory, if necessary, are to be borne and prepaid by the End User. Repaired or replaced equipment will be returned to the End User transportation prepaid.

THERE IS NO OTHER EXPRESS WARRANTY. TITAN HEREBY DISCLAIMS ANY AND ALL IMPLIED WARRANTIES INCLUDING, BUT NOT LIMITED TO, THOSE OF MERCHANTABILITY AND FITNESS FOR A PARTICULAR PURPOSE, TO THE EXTENT PERMITTED BY LAW. THE DURATION OF ANY IMPLIED WARRANTIES WHICH CANNOT BE DISCLAIMED IS LIMITED TO THE TIME PERIOD SPECIFIED IN THE EXPRESS WARRANTY. IN NO CASE SHALL TITAN LIABILITY EXCEED THE AMOUNT OF THE PURCHASE PRICE. LIABILITY FOR CONSEQUENTIAL, INCIDENTAL OR SPECIAL DAMAGES UNDER ANY AND ALL WARRANTIES IS EXCLUDED TO THE EXTENT PERMITTED BY LAW.

TITAN MAKES NO WARRANTY AND DISCLAIMS ALL IMPLIED WARRANTIES OF MERCHANTABILITY AND FITNESS FOR A PARTICULAR PURPOSE WITH RESPECT TO ACCESSORIES, EQUIPMENT, MATERIALS OR COMPONENTS SOLD BUT NOT MANUFACTURED BY TITAN. THOSE ITEMS SOLD, BUT NOT MANUFACTURED BY TITAN (SUCH AS GAS ENGINES, SWITCHES, HOSES, ETC.) ARE SUBJECT TO THE WARRANTY, IF ANY, OF THEIR MANUFACTURER. TITAN WILL PROVIDE THE PURCHASER WITH REASONABLE ASSISTANCE IN MAKING ANY CLAIM FOR BREACH OF THESE WARRANTIES.



### United States Sales & Service

Phone: 1-800-526-5362  
 Fax: 1-800-528-4826

1770 Fernbrook Lane  
 Minneapolis, MN 55447  
[www.titantool.com](http://www.titantool.com)

International  
[international@titantool.com](mailto:international@titantool.com)

Fax: 1-763-519-3509

1770 Fernbrook Lane  
 Minneapolis, MN 55447