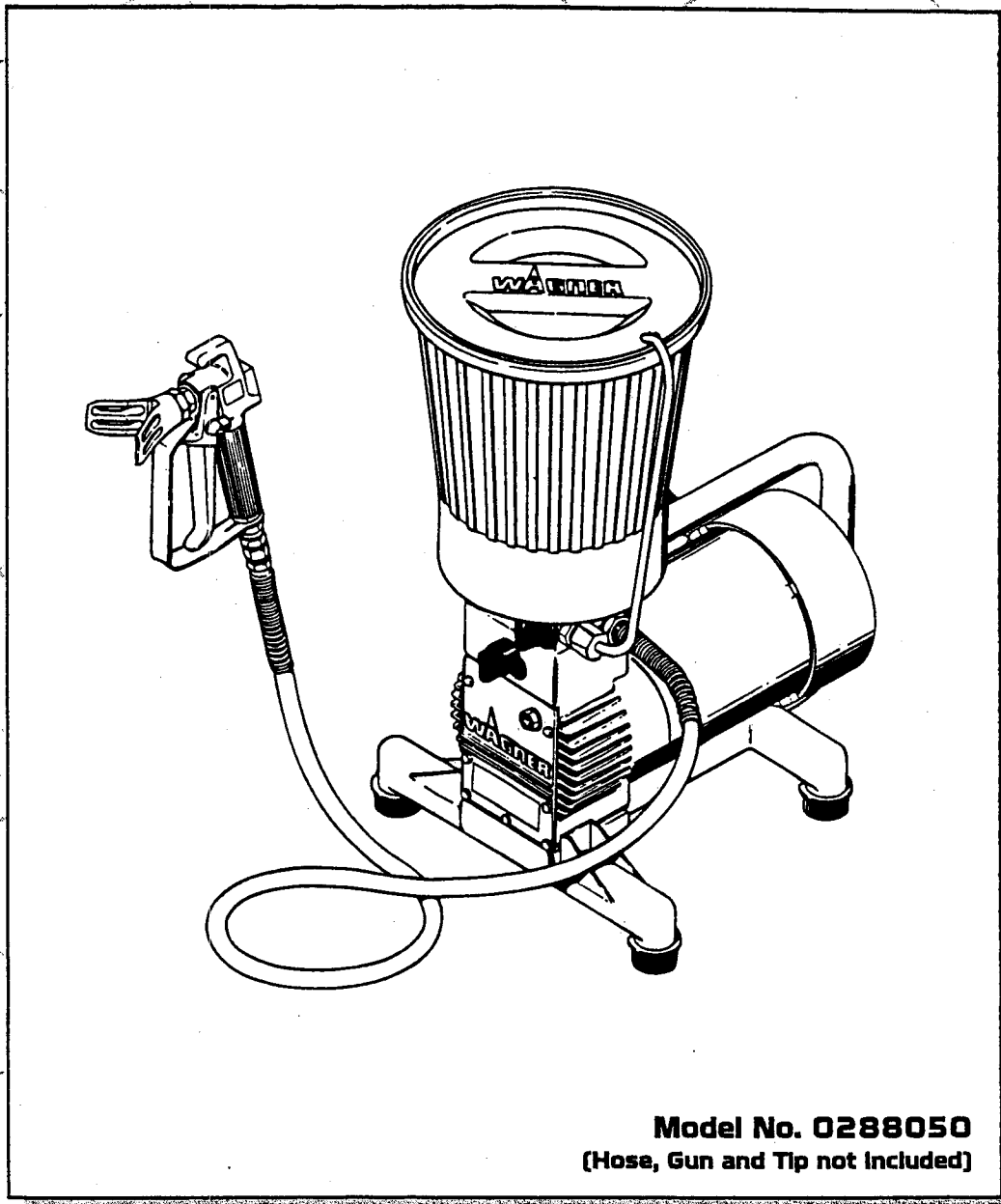


1075 Pro Pak *Airless Paint Sprayer*

Owner's Manual



Model No. 0288050
(Hose, Gun and Tip not included)

SprayTECH[®]
BUILT TO WORK AS HARD AS YOU™

Form No. 0281637K
0798 © 1998 SprayTECH Corporation. All rights reserved.

ED1075

Pressure Control Valve	0090185
Prime Spray Valve	0270951
Inlet Valve	0278219
Outlet Seat	0090348
Outlet Ball	0093635
Outlet Spring	0047485
Sealing Washer	0089494
Spring Support	N/A
Diaphragm	0270952
Paint Pump Block	0270481
Insert Ring	0047424
Outlet Repair Kit	0270950
Pusher Outlet	N/A
Pusher Inlet	N/A

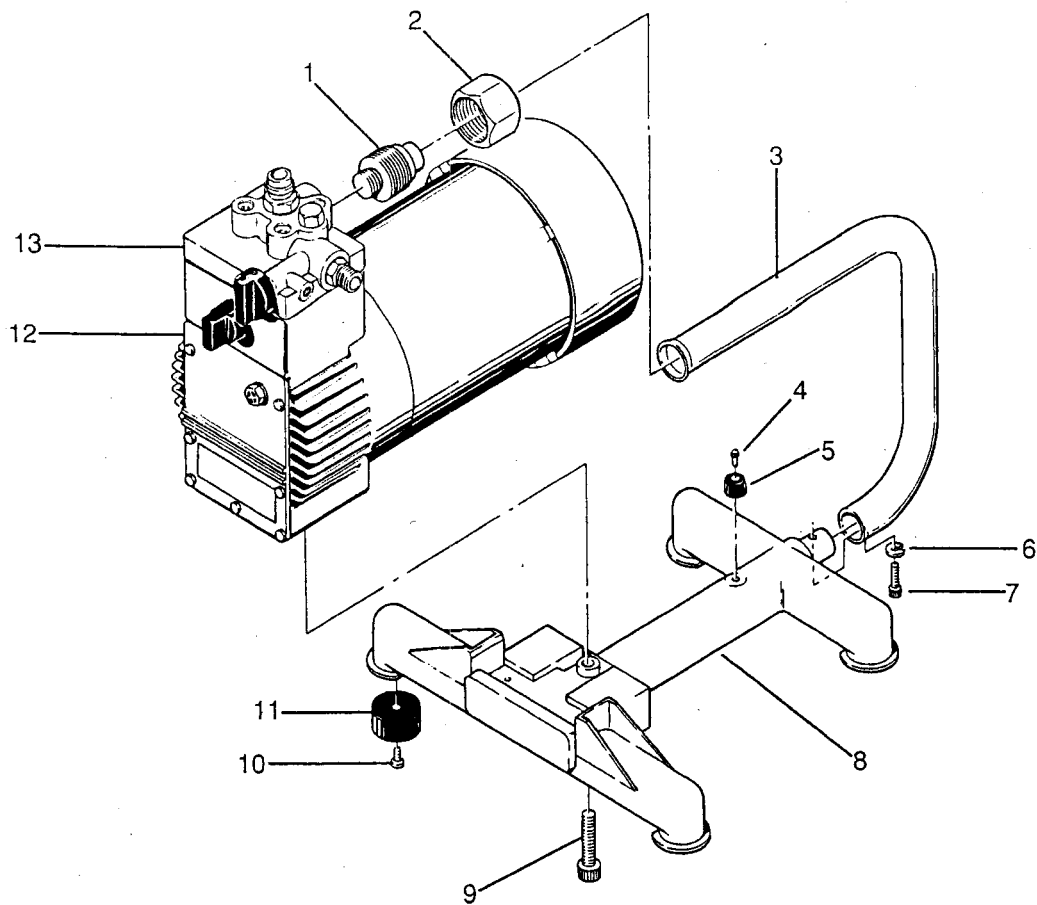


Figure 18.-Pro Series 1075

PRO SERIES 1075 – FIGURE 18

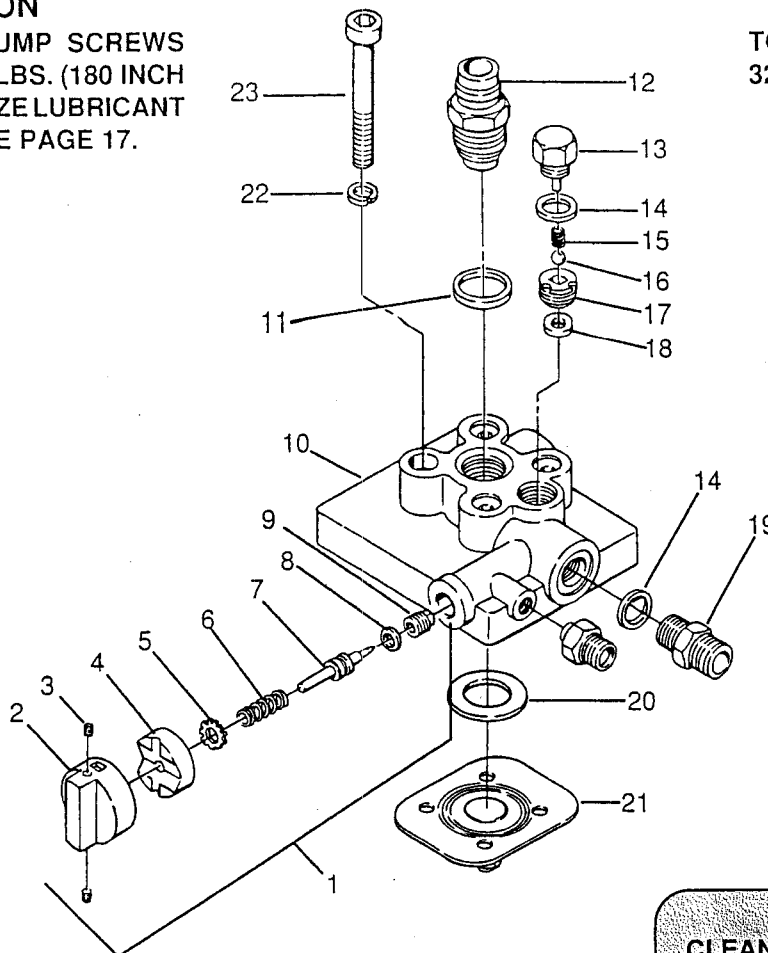
ITEM	PART NO.	DESCRIPTION	QTY.	ITEM	PART NO.	DESCRIPTION	QTY.
1	0154487	Plug, Threaded	1	9	9900314	Screw, Socket Head, M8 x 35	1
2	0154479	Nut, Hex.	1	10	9802222	Screw, Self Tap. #10 x 5/8	4
3	0154488	Handle	1	11	0090628	Pad, Rubber	4
4	0090419	Screw, Drive, Round Head	3	12	-----	Hydraulic Pump (See Figure 20)	1
5	0089940	Bumper, Rubber	3	13	-----	Paint Pump (See Figure 19)	1
6	9921503	Washer, Lock, M6	1				
7	9900378	Screw, Socket Head, M6 x 20	1				
8	0154374	Stand	1				

CAUTION

TORQUE PAINT PUMP SCREWS (ITEM 23) TO 15 FT/LBS. (180 INCH LBS.) USE ANTI-SEIZE LUBRICANT IF REPLACING. SEE PAGE 17.

CAUTION

TORQUE ITEMS 12 AND 13 TO 32-35 FT/LBS.



REMEMBER!
CLEAN SPRAYER AND OIL INLET VALVE (ITEM 12) AFTER EVERY JOB!

Figure 19.-Exploded View of Paint Pump

PAINT PUMP PARTS LIST – FIGURE 19

ITEM	PART NO.	DESCRIPTION	QTY.	ITEM	PART NO.	DESCRIPTION	QTY.
1	0270951	Prime/Spray Valve Components 1 (Includes Items 2 thru 9)	1	12	0089477	Valve, Inlet (Includes Item 11)	1
2	0288748	Knob	1	13	0089564	Plug, Outlet Seat	1
3	9801103	Screw, Set, Hex. Soc. Head #6-32 x 1/2	2	14	9970103	Washer, Sealing, Copper	2
4	0154375	Cam	1	15	0047485	Spring	1
5	0090512	Washer, Star	1	16	0093635	Ball	1
6	0036352	Spring	1	17	0090348	Seat, Valve	1
7	0281317	Ball Stem Assembly	1	18	0089494	Washer, Special	1
8	0090523	O-Ring	1	19	0288379	Fitting, Outlet	1
9	0281316	Seat Assembly	1	20	0047424	Ring, Insert	1
10	0270481	Paint Pump	1	21	0270952	Diaphragm Kit (Includes Item 20)	1
11	0089482	Washer, Sealing, Nylon	1	22	0088328	Washer, 5/16"	4
				23	0089945	Screw, Paint Pump, M8 x	4

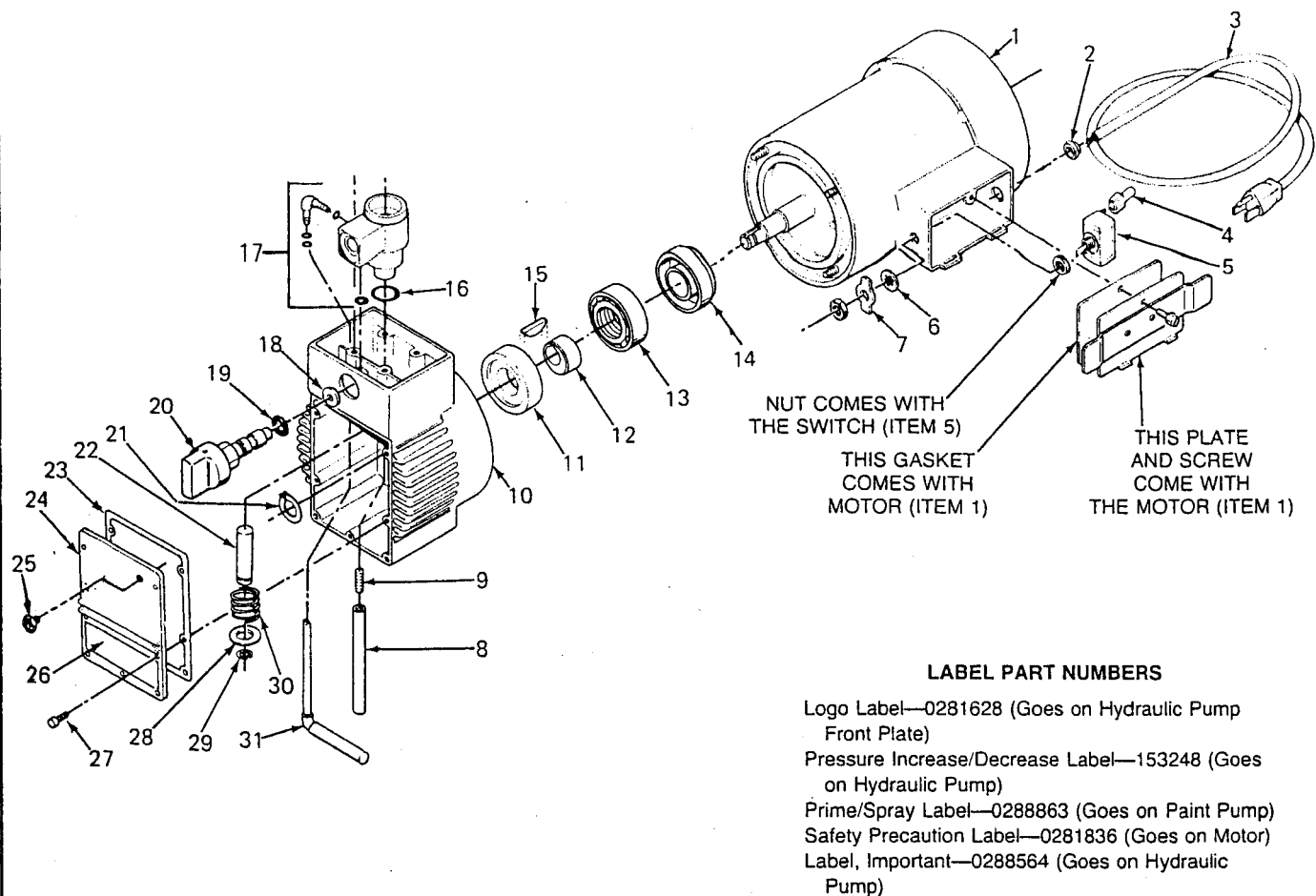


Figure 20.-Exploded View of Hydraulic Pump

HYDRAULIC PUMP PARTS LIST—FIGURE 20

ITEM	PART NO.	DESCRIPTION	QTY.	ITEM	PART NO.	DESCRIPTION	QTY.
1	0288636	Motor	1	17	0090304	Pressure Vessel and Piston Assembly - Consists of: Pressure Vessel Piston Elbow (0089935) and O-Rings (0089934) (4)	1
2	0089726	Strain Relief	1	18	0047487	Washer	1
3	0090559	Cord, Electric	1	19	0089501	O-Ring (comes with item 20)	1
4	0089799	Terminal Connector	2	20	0090185	Pressure Control Valve	1
5	0089453	Switch	1	21	0047393	Ring, Snap	1
6	0089985	Washer, Lock	1	22	-----	Piston (comes with item 17)	1
7	0089986	Plate, ON-OFF indicator	1	23	0089937	Gasket	1
8	0093861	Tube, Oil Return	1	24	0269327	Cover, Front	1
9	0089261	Connector	1	25	0034307	Plug, Oil Filler	1
10	0089928	Housing, Hydraulic	1	26	0269874	Label, Logo	1
11	0089451	Bearing 52mm x 254mm x 15mm	1	27	9800049	Screw, Black	7
12	0089495	Sleeve	1	28	0089514	Disc, Piston Spring	1
13	0089929	Bearing 40mm x 17mm x 12mm	1	29	0089456	Ring, Retaining	1
14	0089930	Seal	1	30	0005311	Spring	1
15	0089829	Key	1	31	0093709	Oil Suction Tube Assembly	1
16	0089932	O-Ring	1				

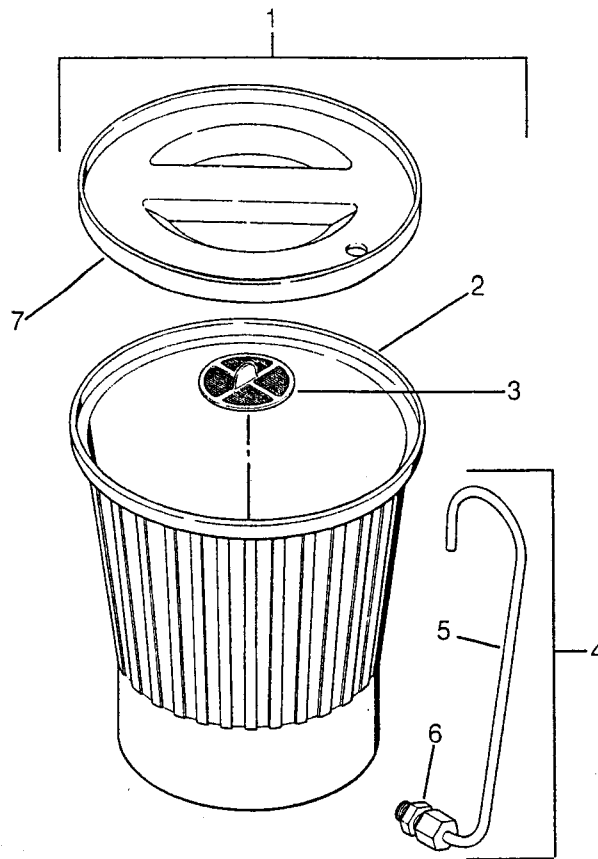


Figure 21.-Hopper Assembly

HOPPER ASSEMBLY – FIGURE 21

ITEM	PART NO.	DESCRIPTION	QTY.	ITEM	PART NO.	DESCRIPTION	QTY.
1	0288144	Hopper Complete (Includes Items 2 thru 7)	1	4	0090560	Return Tube Assembly (Includes Items 5 & 6)	1
2	0090283	Hopper	1	5	0093865	Return Tube	1
3	0089917	Filter Screen, Fine (Shown)	1	6	0090617	Fitting	1
	0088871	Filter Screen, Coarse	1	7	0288668	Cover, Hopper	1

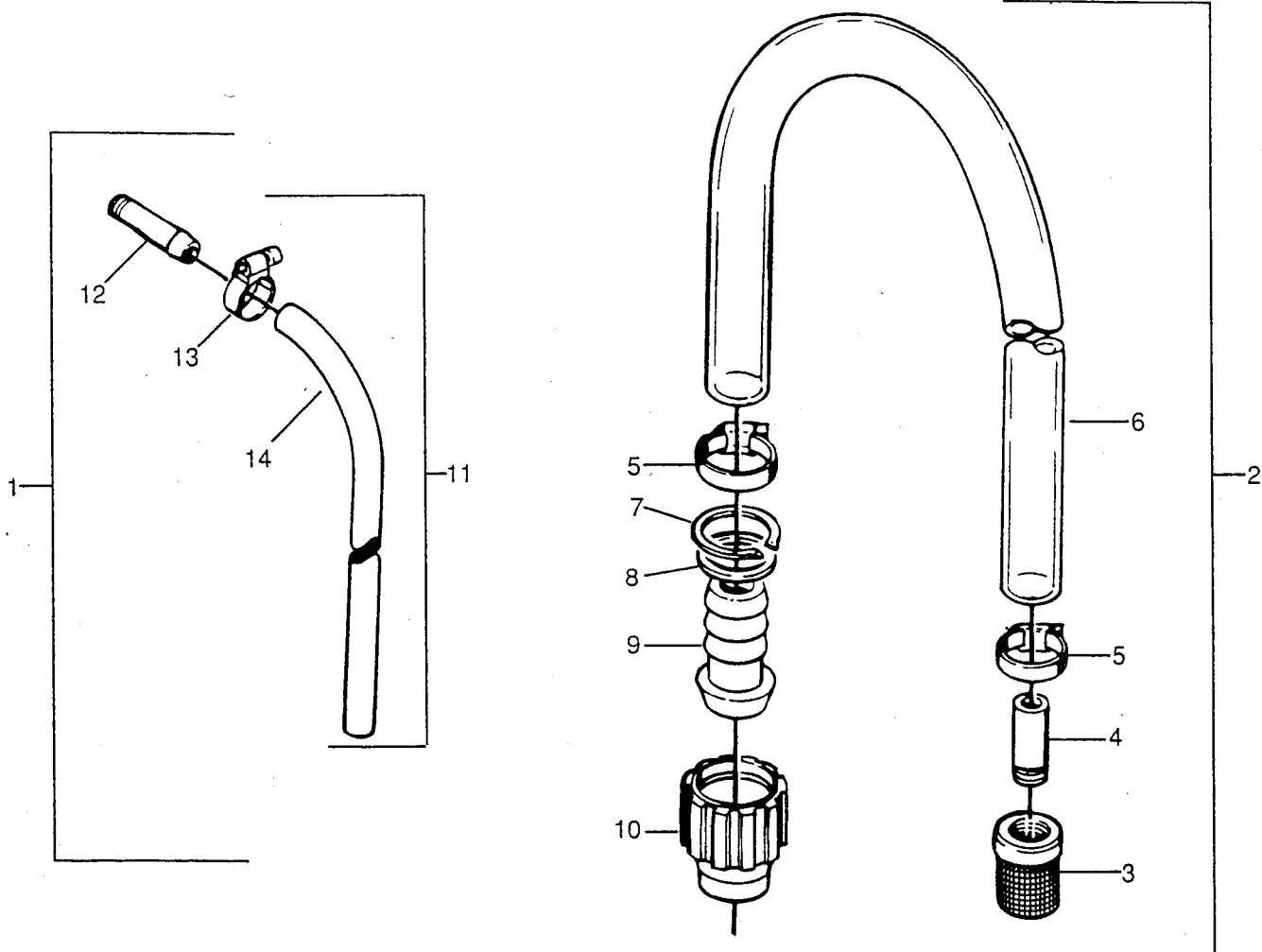


Figure 22.-Optional Suction Set

OPTIONAL SUCTION SET ASSEMBLY – FIGURE 22

ITEM	PART NO.	DESCRIPTION	QTY.	ITEM	PART NO.	DESCRIPTION	QTY.
1	0288121	Suction Set Complete (Includes Items 2 thru 14)	1	8	0093871	Washer	1
2	0288120	Suction Tube Complete (Includes Items 3 thru 10)	1	9	0088938	Adapter	1
3	0088756	Filter	1	10	0090622	Nut, Suction	1
4	0088757	Adapter	1	11	0089744	Return Tube, Complete (Includes Items 12 thru 14)	1
5	0089882	Clamp	2	12	0088715	Fitting, Return	1
6	0089750	Tube, Suction	1	13	0089096	Clamp	1
7	0088931	Ring, Snap	1	14	0089751	Hose	1

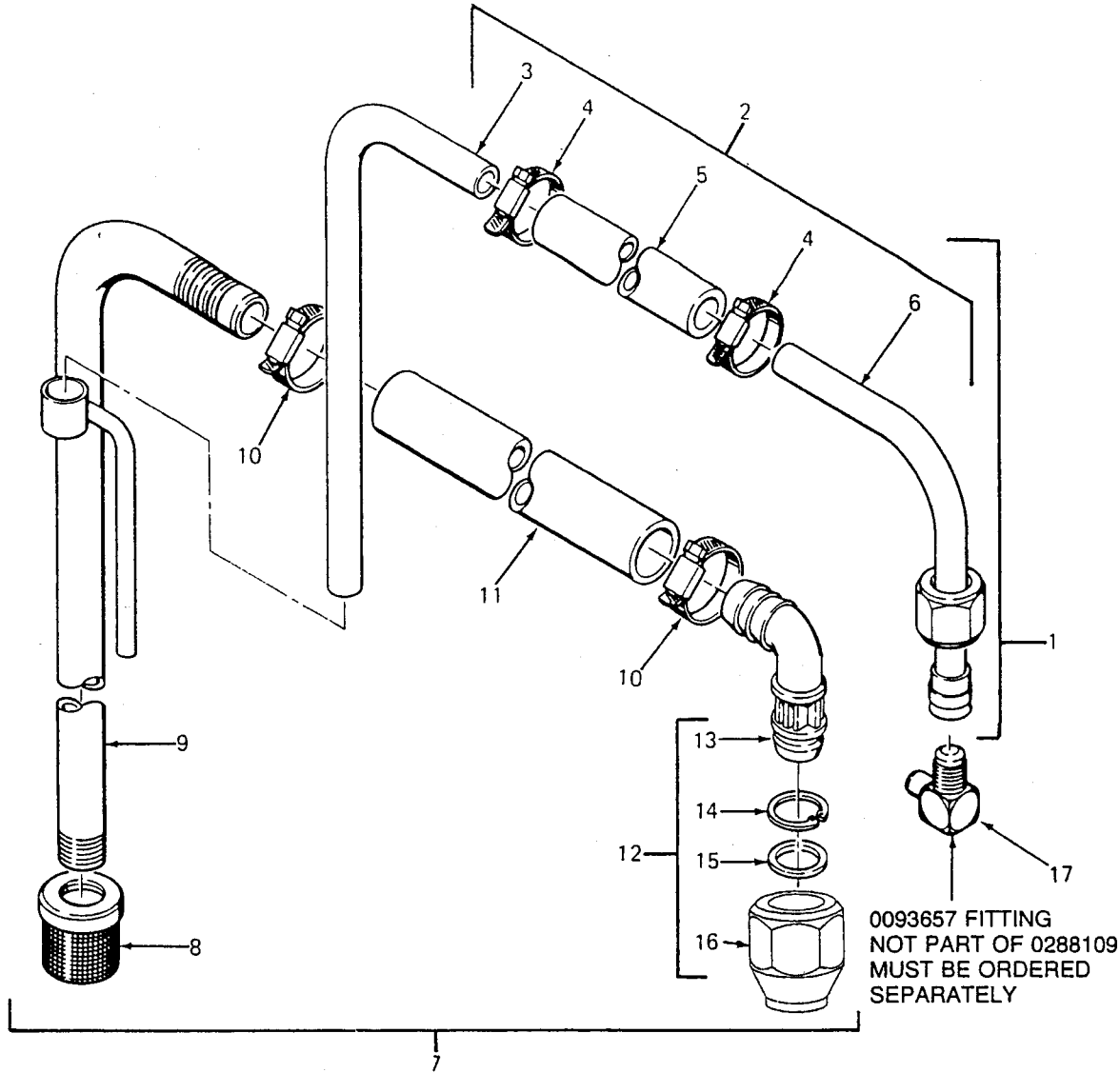


Figure 23.-Optional Suction Set Assembly

OPTIONAL SUCTION SET ASSEMBLY—FIGURE 23

ITEM	PART NO.	DESCRIPTION	QTY.
1	0288198	Suction Set Complete (Includes Items 2 thru 16)	1
2	0281104	Return Hose Assembly (Includes Items 3 thru 6)	1
3	0088956	Tube, Return	1
4	0088041	Clamp	2
5	0281320	Hose, 3/8" x 26"	1
6	0090664	Elbow, Return Assembly	1
7	0281105	Hose, Suction Assembly (Includes Items 8 thru 16)	1

ITEM	PART NO.	DESCRIPTION	QTY.
8	0088756	Filter	1
9	0088937	Tube, Suction	1
10	0089882	Clamp	2
11	0281321	Hose, 3/4" x 26"	1
12	0090275	Elbow, Suction Set (Includes Items 13 thru 16)	1
13	0090084	Elbow	1
14	9822508	Ring, Retaining	1
15	0093871	Washer, Steel	1
16	0270310	Nut, Suction	1
17	0093657	Fitting, Elbow Return 90°	1

RECOMMENDED FOR LATEX AND SOLVENT BASED PAINTS