



Advanced Performance. Total Reliability.

LX-80 II

Professional Airless Gun

For Professional Use Only

2-Finger Gun

581-085

4-Finger Gun

580-100A

Instruction Sheet

Important Safety Instructions



Read all safety information before operating the equipment. Save these instructions.



Indicates a hazardous situation which, if not avoided, could result in death or serious injury.

To reduce the risks of fire or explosion, electrical shock and the injury to persons, read and understand all instructions included in this manual. Be familiar with the controls and proper usage of the equipment.



WARNING: EXPLOSION OR FIRE

Solvent and paint fumes can explode or ignite. Property damage and/or severe injury can occur.

PREVENTION:

- Do not spray flammable or combustible materials near an open flame, pilot lights or sources of ignition such as hot objects, cigarettes, motors, electrical equipment and electrical appliances. Avoid creating sparks from connecting and disconnecting power cords.
- For units intended for use with only water-based or mineral spirit-type materials with a minimum flash point of 38°C (100°F) — Do not spray or clean with liquids having a flash point of less than 38°C (100°F). Flash point is the temperature at which a fluid can produce enough vapor to ignite.
- Use extreme caution when using materials with a flashpoint below 100°F (38°C). **Refer to your pump manual to determine if these materials can be sprayed.**
- Paint or solvent flowing through the equipment is able to result in static electricity. Static electricity creates a risk of fire or explosion in the presence of paint or solvent fumes. All parts of the spray system, including the pump, hose assembly, spray gun and objects in and around the spray area shall be properly grounded to protect against static discharge and sparks. Use only conductive or grounded high-pressure airless paint sprayer hoses specified by the manufacturer.
- Verify that all containers and collection systems are grounded to prevent static discharge.
- Connect to a grounded outlet and use grounded extension cords (electric models only). Do not use a 3 to 2 adapter.
- Do not use a paint or solvent containing halogenated hydrocarbons. Such as chlorine, bleach mildewcide, methylene chloride and trichloroethane. They are not compatible with aluminum. Contact the coating supplier about compatibility of material with aluminum.
- Keep spray area well ventilated. Keep a good supply of fresh air moving through the area to keep the air within the spray area free from accumulation of flammable vapors. Keep pump assembly in well ventilated area. Do not spray pump assembly.
- Do not smoke in the spray area.
- Do not operate light switches, engines, or similar spark producing products in the spray area.
- Keep area clean and free of paint or solvent containers, rags, and other flammable materials.
- Know the contents of the paint and solvents being sprayed. Read all Material Safety Data Sheets (MSDS) and container labels provided with the paints and solvents. Follow the paint and solvent manufacturer's safety instructions.
- Place pump at least 25 feet (7.62 meters) from the spray object in a well ventilated area (add more hose if necessary). Flammable vapors are often heavier than air. Floor area must be extremely well ventilated. The pump contains arcing parts that emit sparks and can ignite vapors.
- Plastic can cause static sparks. Never hang plastic to enclose spray area. Do not use plastic drop cloths when spraying flammable material.
- Fire extinguisher equipment shall be present and working.



WARNING: INJECTION INJURY

A high pressure paint stream produced by this equipment can pierce the skin and underlying tissues, leading to serious injury and possible amputation. See a physician immediately.

PREVENTION:

- Do not aim the gun at, or spray any person or animal.
- Keep hands and other body parts away from the discharge. For example, do not try to stop leaks with any part of the body.

- NEVER put your hand in front of the gun. Gloves will not provide protection against an injection injury.
- ALWAYS keep the tip guard in place while spraying. The tip guard provides some protection but is mainly a warning device.
- Only use a nozzle tip specified by the manufacturer.
- Use caution when cleaning and changing nozzle tips. In the case where the nozzle tip clogs while spraying, ALWAYS lock gun trigger, shut pump off, and release all pressure before servicing, cleaning tip or guard, or changing tip. Pressure will not be released by turning off the motor. The PRIME/SPRAY valve or pressure bleed valve must be turned to their appropriate positions to relieve system pressure. Refer to PRESSURE RELIEF PROCEDURE described in the pump manual.
- Do not leave the unit energized or under pressure while unattended. When the unit is not in use, turn off the unit and relieve the pressure in accordance with the manufacturer's instructions.
- High-pressure spray is able to inject toxins into the body and cause serious bodily injury. In the event that injection occurs, seek medical attention immediately.
- Check hoses and parts for signs of damage, a leak can inject material into the skin. Inspect hose before each use. Replace any damaged hoses or parts. Only use TITAN original-high-pressure hoses in order to ensure functionality, safety and durability.
- This system is capable of producing 3600 PSI / 248 Bar. Only use replacement parts or accessories that are specified by the manufacturer and that are rated a minimum of 3600 PSI. This includes spray tips, nozzle guards, guns, extensions, fittings, and hose.
- Always engage the trigger lock when not spraying. Verify the trigger lock is functioning properly.
- Verify that all connections are secure before operating the unit.
- Know how to stop the unit and bleed pressure quickly. Be thoroughly familiar with the controls. Pressure will not be released by turning off the motor. The PRIME/SPRAY valve or pressure bleed valve must be turned to their appropriate positions to relieve system pressure. Refer to PRESSURE RELIEF PROCEDURE described in the pump manual.
- Always remove the spray tip before flushing or cleaning the system.

NOTE TO PHYSICIAN:

Injection into the skin is a traumatic injury which can lead to possible amputation. It is important to treat the injury as soon as possible. DO NOT delay treatment to research toxicity. Toxicity is a concern with some coatings injected directly into the blood stream. Consultation with a plastic surgeon or reconstructive hand surgeon may be advisable.



WARNING: GENERAL

Can cause severe injury or property damage.

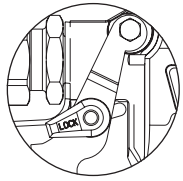
PREVENTION:

- Always wear appropriate gloves, eye protection, clothing and a respirator or mask when painting.
- Do not operate or spray near children. Keep children away from equipment at all times.
- Do not overreach or stand on an unstable support. Keep effective footing and balance at all times.
- Stay alert and watch what you are doing.
- Do not operate the unit when fatigued or under the influence of drugs or alcohol.
- Do not kink or over-bend the hose. Airless hose can develop leaks from wear, kinking and abuse. A leak can inject material into the skin.
- Do not expose the hose to temperatures or pressures in excess of those specified by manufacturer.
- Do not use the hose as a strength member to pull or lift the equipment.
- Use lowest possible pressure to flush equipment.
- Follow all appropriate local, state and national codes governing ventilation, fire prevention and operation.
- The United States Government Safety Standards have been adopted under the Occupational Safety and Health Act (OSHA). These standards, particularly part 1910 of the General Standards and part 1926 of the Construction Standards should be consulted.
- Before each use, check all hoses for cuts, leaks, abrasion or bulging of cover. Check for damage or movement of couplings. Immediately replace hose if any of those conditions exist. Never repair a paint hose. Replace with a conductive high-pressure hose.
- Do not spray outdoors on windy days.
- Always unplug cord from outlet before working on equipment (electric models only).

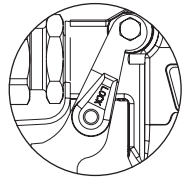
Using the Gun Trigger Lock

Always engage the gun's trigger lock when the gun is not in use.

1. To lock the trigger, rotate the trigger lock forward until it stops.
2. To unlock the trigger, rotate the trigger lock backward until it is vertical.



Trigger locked
(gun will not spray)



Trigger unlocked
(gun will spray)

Setup

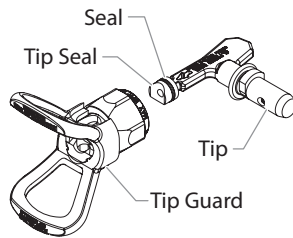


Never attempt to assemble, change, or clean the gun, tip, or tip guard without first relieving pressure from the spray system. Follow the "Pressure Relief Procedure" in the sprayer's Owner's Manual.



Always use a tip safety guard for added protection against injection. Beware that the guard alone will not prevent injection. Never cut off tip guard! Always engage gun trigger lock when the gun is not in use. Before servicing equipment, consult Owner's Manuals and follow all warnings.

1. Set up the sprayer. Refer to the instructions in the sprayer's Owner's Manual.
2. Attach a grounded, airless spray hose to the material inlet on the gun. Using two wrenches (one on the gun and one on the hose), tighten securely.
3. With the tip and tip guard off the gun, start the sprayer. Flush and prepare the spray system according to the sprayer's Owner's Manual. Inspect the spray system to make sure that all fittings are secure and that there are no leaks.
4. Perform the "Pressure Relief Procedure" described in the sprayer's Owner's Manual.
5. Using the tip handle, insert the tip seal and seal into the back of the tip guard. Press in for final adjustment.
6. Insert the tip into the slot on the tip guard.
7. Thread the tip guard onto the gun. Position the tip guard in the desired spraying position, then tighten securely by hand.



NOTE: The arrow on the tip handle should be pointing in the forward direction for spraying.

Operation

1. Make sure the arrow on the tip handle is pointing in the forward direction for spraying.
2. Start the sprayer. Refer to the instructions in the sprayer's Owner's Manual.
3. Adjust the fluid pressure on the sprayer until the spray is completely atomized. Always spray at the lowest pressure necessary to get the desired results.

NOTE: The spray tip determines the size of spray pattern and coverage. When more coverage is needed, use a larger tip instead of increasing fluid pressure.

4. To clear a clogged tip:
 - a. Rotate the tip 180° so that the arrow on the tip handle is pointing opposite the spray direction.
 - b. Trigger the gun once so that the pressure can blow the clog out.

IMPORTANT: Never pull the trigger more than once at time with the tip in the reverse position.

- c. Continue this procedure until the tip is clear of the clog.

Changing a Tip

Tips can be removed and replaced easily without disassembling the gun.

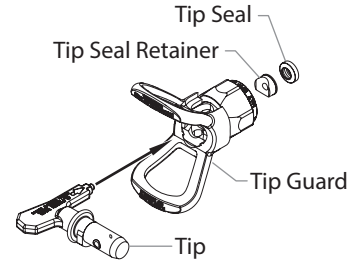


Never attempt to change or clean the tip or tip guard without first performing the "Pressure Relief Procedure."

1. Perform the "Pressure Relief Procedure" described in the sprayer's Owner's Manual.
2. Remove the tip from the slot on the tip guard.
3. Insert the new tip into the slot on the tip guard. The arrow on the tip handle should be pointing in the forward direction for spraying.

Removing the Seal and Tip seal

1. Remove the tip from the tip guard.
2. Insert the tip handle through the front of the tip guard.
3. Push the seal and tip seal out through the back of the tip guard.



Identifying Tip Sizes

To identify tip sizes, use the following formula. A "517" tip size will be used in this example.

The first digit multiplied by two represents the size of the spray pattern when spraying 12" away from the work surface:

$$5 \times 2 = 10" \text{ spray pattern}$$

The second two digits represent the diameter of the orifice on the tip:

$$17 = .017" \text{ orifice}$$

NOTE: Worn spray tips will adversely affect the spray pattern and result in reduced production, poor finish, and wasted material. Replace worn tips immediately.

Cleanup

Maintaining a clean gun is important to ensure trouble-free operation. Flush the gun after each use and store in a dry location. Do not leave the gun or any of its parts in water or solvents.



Special cleanup instructions for use with flammable solvents:

- Always flush spray gun preferably outside and at least one hose length from spray pump.
- If collecting flushed solvents in a one gallon metal container, place it into an empty five gallon container, then flush solvents.
- Area must be free of flammable vapors.
- Follow all cleanup instructions.

IMPORTANT: The sprayer, hose, and gun should be cleaned thoroughly after daily use. Failure to do so permits material to cake, seriously affecting the performance of the unit.



Always spray at minimum pressure with the tip and tip guard removed when using mineral spirits or any other solvent to clean the sprayer, hose, or gun. Static electricity buildup may result in a fire or explosion in the presence of flammable vapors. Hold the gun firmly against a metal container while flushing.



Maintenance



Follow all safety precautions as described in the Safety Precautions section of this manual before proceeding.

NOTE: Refer to the Parts List section in this manual for part identification.

Replacing/Serviceing the Seal Assembly

If your spray gun leaks or spits at the tip when you release the trigger, the needle or seat is worn, damaged, or dirty and must be replaced or cleaned.



Never attempt to perform maintenance on the spray gun without first performing the "Pressure Relief Procedure."

1. Disconnect the fluid hose from the gun.
2. Remove the tip and tip guard.
3. With the trigger depressed, remove the diffuser from the front of the gun.
4. Remove the lock nut, rear housing, and retractor pins from the rear of the gun head.
5. Remove the seal assembly from the front of the gun head by pushing or gently tapping at the back of the seal assembly.
6. Soak the removed parts in the appropriate solvent and wipe clean.
7. Inspect the parts for wear or damage and use new parts during reassembly of the gun, when necessary.

NOTE: Lubricate all packings and moving parts before reassembly with a lithium-based grease.

8. Install the seal assembly into the front of the gun head.
9. Install the retractor pins into the rear of the gun head. Slide the rear housing onto the retractor pins and secure in position with the lock nut.
10. With the trigger depressed, install the diffuser into the front of the gun head and tighten securely with a wrench.
11. Perform the "Adjusting the Seal Assembly" procedure described below.

Adjusting the Seal Assembly



Proper adjustment of the seal assembly is essential to ensure positive shut-off when the trigger is released.

1. Tighten the lock nut until the rear housing is flush against the gun head.
2. Unscrew the lock nut 3/4 of a turn.

NOTE: To check the adjustment of the seal assembly:

1. Move the gun trigger lock to the locked position.
2. Pull the trigger.
With the trigger lock engaged, there should be 1/32" of movement between the lock nut and the rear housing while pulling the trigger.

Replacing/Removing the Filter

1. Pull the bottom of the trigger guard forward so that it comes loose from the handle assembly.
2. Loosen and remove the handle assembly from the gun head.
3. Turning clockwise, unscrew the filter from the gun body.

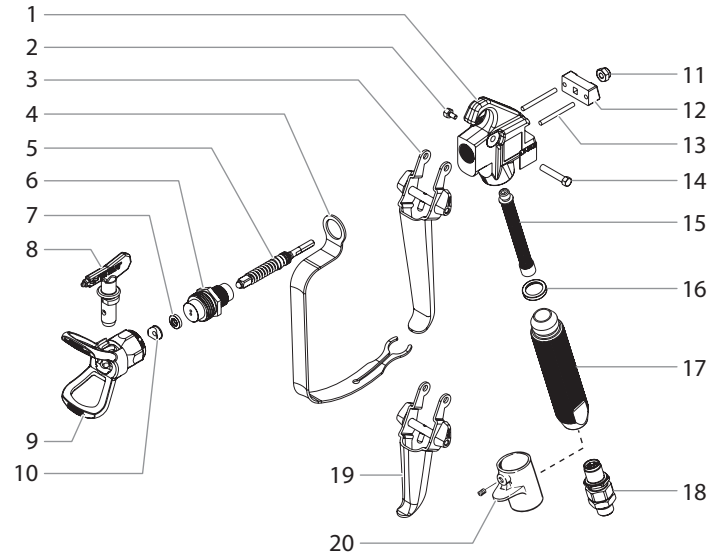
NOTE: Left-handed threads require turning the filter clockwise to remove.

4. Turning counterclockwise, screw the new or cleaned filter into the gun body.
5. Make sure the handle seal is in position and thread the handle assembly into the gun head until secure.
6. Snap the trigger guard back onto the handle assembly.

Gun Filter Chart

Part Number	Application	Filter Type	Color of Filter Body
500-200-15	Synthetic resin, enamels, clean varnishes, stains, azures	Extrafine	red
500-200-10	Base coat enamels, primer enamels, fillers, marking paints, textured enamels	Fine	yellow
500-200-06	Emulsions, latex paints, acrylic paints	Medium	white
500-200-03	Filler paints, large area surfaces	Coarse	green

Parts List



Item	Part #	Description	Quantity
1	580-521	Gun head.....	1
2	580-513	Trigger screw, short.....	1
3	580-071	Trigger assembly, 4-finger gun (includes items 2 and 14)	1
4	580-532	Trigger guard.....	1
5	580-510	Seal assembly	1
6	520-093	Diffuser.....	1
7	651-020	Seal.....	1
8	662-517	Tip assembly, (includes items 7 and 10)	1
9	0289228	Tip guard	1
10	651-040	Tip seal	1
11	226-001	Lock nut.....	1
12	580-003	Rear housing.....	1
13	580-025	Retractor pin	2
14	580-512	Trigger screw, long.....	1
15	500-200-06	Filter, medium.....	1
16	560-038	Handle seal.....	1
17	580-531	Handle.....	1
18	580-530	Swivel.....	1
19	581-078	Trigger assembly, 2-finger gun.....	1
20	581-126	Collar assembly, 2-finger gun.....	1
	580-533	Handle assembly (includes items 17-18)	
	580-034A	Gun repair kit (includes items 5, 6, and 11)	

Warranty

Titan Tool, Inc., ("Titan") warrants that at the time of delivery to the original purchaser for use ("End User"), the equipment covered by this warranty is free from defects in material and workmanship. With the exception of any special, limited, or extended warranty published by Titan, Titan's obligation under this warranty is limited to replacing or repairing without charge those parts which, to Titan's reasonable satisfaction, are shown to be defective within twelve (12) months after sale to the End User. This warranty applies only when the unit is installed and operated in accordance with the recommendations and instructions of Titan.

This warranty does not apply in the case of damage or wear caused by abrasion, corrosion or misuse, negligence, accident, faulty installation, substitution of non-Titan component parts, or tampering with the unit in a manner to impair normal operation.

Defective parts are to be returned to an authorized Titan sales/service outlet. All transportation charges, including return to the factory, if necessary, are to be borne and prepaid by the End User. Repaired or replaced equipment will be returned to the End User transportation prepaid.

THERE IS NO OTHER EXPRESS WARRANTY. TITAN HEREBY DISCLAIMS ANY AND ALL IMPLIED WARRANTIES INCLUDING, BUT NOT LIMITED TO, THOSE OF MERCHANTABILITY AND FITNESS FOR A PARTICULAR PURPOSE, TO THE EXTENT PERMITTED BY LAW. THE DURATION OF ANY IMPLIED WARRANTIES WHICH CANNOT BE DISCLAIMED IS LIMITED TO THE TIME PERIOD SPECIFIED IN THE EXPRESS WARRANTY. IN NO CASE SHALL TITAN LIABILITY EXCEED THE AMOUNT OF THE PURCHASE PRICE. LIABILITY FOR CONSEQUENTIAL, INCIDENTAL OR SPECIAL DAMAGES UNDER ANY AND ALL WARRANTIES IS EXCLUDED TO THE EXTENT PERMITTED BY LAW.

TITAN MAKES NO WARRANTY AND DISCLAIMS ALL IMPLIED WARRANTIES OF MERCHANTABILITY AND FITNESS FOR A PARTICULAR PURPOSE WITH RESPECT TO ACCESSORIES, EQUIPMENT, MATERIALS OR COMPONENTS SOLD BUT NOT MANUFACTURED BY TITAN. THOSE ITEMS SOLD, BUT NOT MANUFACTURED BY TITAN (SUCH AS GAS ENGINES, SWITCHES, HOSES, ETC.) ARE SUBJECT TO THE WARRANTY, IF ANY, OF THEIR MANUFACTURER. TITAN WILL PROVIDE THE PURCHASER WITH REASONABLE ASSISTANCE IN MAKING ANY CLAIM FOR BREACH OF THESE WARRANTIES.

The logo for Titan Tool, Inc. features the word "TITAN" in a bold, italicized, sans-serif font. The letters are black with a white outline, and a small trademark symbol (TM) is located at the top right of the letter "N".

United States Sales & Service

Phone: 1-800-526-5362

Fax: 1-800-528-4826

1770 Fernbrook Lane
Minneapolis, MN 55447
www.titantool.com

International
international@titantool.com
Fax: 1-763-519-3509

1770 Fernbrook Lane
Minneapolis, MN 55447

LX-80 II

Pistolet de pulvérisation à haute pression

Importantes consignes de sécurité



Lire toutes ces consignes avant d'utiliser l'appareil. Garder ces consignes.



Indique une situation à risque, laquelle, si elle n'est pas évitée, peut entraîner des blessures graves, voire la mort.

Pour réduire les risques d'incendie ou d'explosion, de choc électrique et de blessure, vous devez lire et comprendre les directives figurant dans ce manuel. Familiarisez-vous avec les commandes et l'utilisation adéquate de l'équipement.



MISE EN GARDE : EXPLOSION OU INCENDIE

Les émanations de certains produits peuvent exploser ou s'enflammer, et risquent d'entraîner des dommages matériels ou de graves blessures.

MESURES PRÉVENTIVES :

- Ne pulvérisez pas de matières inflammables ou combustibles près d'une flamme nue, de voyants lumineux ou de sources d'ignition telles que des objets chauds, cigarettes, moteurs, matériel et appareils électriques. Évitez de produire des étincelles en connectant et en déconnectant les cordons électriques.
- Pour les appareils destinés à un usage exclusif avec des produits à l'eau ou des produits minéraux de type alcool avec un point d'éclair minimum de 38 °C (100 °F) – Ne pulvérisez pas et ne les nettoyez pas avec des liquides ayant un point d'éclair inférieur à 38 °C (100 °F). Le point d'éclair est la température à laquelle un fluide peut produire suffisamment de vapeur pour s'enflammer.
- S'entourer de toutes les précautions possibles lorsqu'on utilise des produits ayant un point d'éclair inférieur à 38 °C (100 °F). **Consultez le manuel de la pompe afin de déterminer si ces matières peuvent être pulvérisés.**
- L'écoulement de peinture ou de solvant dans l'équipement peut produire de l'électricité statique. L'électricité statique crée un risque d'incendie ou d'explosion en présence de fumées de peinture ou de solvant. Toutes les pièces du système de pulvérisateur, y compris la pompe, l'ensemble du tuyau, le pistolet de pulvérisation et les objets dans et autour de la zone de pulvérisation doivent être correctement reliés à la terre pour protéger contre les décharges d'électricité statique et les étincelles. N'utilisez que des tuyaux conducteurs ou reliés à la terre pour pulvérisateurs de peinture sous vide à haute pression, spécifiés par le fabricant.
- Vérifiez que tous les conteneurs ou systèmes de stockage sont reliés à la terre pour éviter les décharges d'électricité statique.
- Connectez à une prise électrique avec prise de terre et utilisez des rallonges électriques reliées à la terre. N'utilisez pas d'adaptateur 3 à 2.
- N'utilisez pas de peinture ou de solvant contenant du halon, par exemple, le chlore, les agents antimoissure à l'eau de Javel, le chlorure de méthylène et le trichloroéthane. Ils ne sont pas compatibles avec l'aluminium. Contactez le fournisseur de revêtements pour connaître la compatibilité du matériau avec l'aluminium.
- La zone de pulvérisation doit toujours être bien aérée. Une bonne quantité d'air frais doit constamment traverser la zone de pulvérisation pour éviter les accumulations de vapeurs inflammables. Le système de pompage doit être placé dans une zone bien aérée. Ne pulvérisez pas le système de pompage.
- Ne fumez pas dans la zone de pulvérisation.
- N'actionnez pas d'interrupteurs électriques, de moteurs ou autres dispositifs produisant des étincelles dans la zone de pulvérisation.
- Maintenez la propreté de la zone et veillez à ce qu'elle ne contienne pas de conteneurs de peinture ou de solvant, de chiffons et autres matières inflammables.
- Sachez ce que contiennent la peinture et les solvants pulvérisés. Lisez les fiches de sécurité du matériel (MSDS) et les étiquettes apposées sur les conteneurs de peintures et de solvants. Respectez les consignes de sécurité du fabricant de peinture et de solvant.
- Placez la pompe à une distance minimum de 7,62 mètres (25 pieds) de l'objet à pulvériser, dans une zone bien aérée (ajoutez de la longueur de tuyau si besoin est). Les vapeurs inflammables sont souvent plus lourdes que l'air. La zone près du sol doit être très bien aérée. La pompe contient des pièces qui produisent des arcs et émettent des étincelles pouvant enflammer les vapeurs.
- Le plastique peut causer des étincelles d'électricité statique. N'accrochez aucun plastique dans une zone de pulvérisation fermée. N'utilisez pas de toiles de protection en plastique quand vous pulvérisez une matière inflammable.
- Ayez un extincteur en bon état de fonctionnement à portée de main.



MISE EN GARDE : INJECTION CUTANÉE

Le jet de haute pression produit par cet appareil peut transpercer la peau et les tissus sous-jacents, causant des blessures graves pouvant entraîner l'amputation.

MESURES PRÉVENTIVES :

- Ne dirigez pas le pistolet sur et ne pulvérisez pas les personnes ou les animaux.

- N'approchez pas les mains ni d'autres parties du corps de la sortie du produit. Par exemple, ne tentez pas d'arrêter une fuite avec une partie du corps.
- NE JAMAIS mettre la main, même gantée, devant le pistolet (les gants n'offrent aucune protection contre les blessures par injection).
- TOUJOURS s'assurer que le protège-embout est en place avant de pulvériser. Il est important de noter que, s'il assure une certaine protection, ce dispositif joue surtout un rôle préventif.
- Utilisez exclusivement un embout de buse spécifié par le fabricant.
- Prenez garde quand vous nettoyez ou que vous changez les embouts de buse. Si l'embout se bouche pendant que vous pulvérisez, verrouillez TOUJOURS la détente du pistolet, arrêtez la pompe et libérez toute la pression avant de réparer ou de nettoyer l'embout ou le protecteur ou avant de changer d'embout. La pression n'est pas libérée par l'arrêt du moteur. La poignée du robinet-valve PRIME/SPRAY doit être placée sur PRIME pour libérer la pression. Consultez la PROCÉDURE DE DÉCOMPRESSION décrite dans le manuel de la pompe.
- Ne laissez pas l'appareil sous tension ou sous pression quand vous vous en éloignez. Quand vous n'utilisez pas l'appareil, éteignez-le et libérez la pression conformément aux instructions du fabricant.
- La pulvérisation à haute pression peut injecter des toxines dans le corps et causer de graves blessures corporelles. Si une telle injection se produisait, consultez immédiatement un médecin.
- Vérifiez les tuyaux et les pièces pour détecter des signes d'endommagement : une fuite peut injecter le produit dans la peau. Inspectez le tuyau avant chaque emploi. Changez tous les tuyaux ou pièces endommagés. Pour des raisons de fonctionnement, de sécurité et de durée de vie, utiliser exclusivement des tuyaux flexibles à haute pression d'origine de TITAN.
- Ce système peut produire une pression de 3 600 PSI / 248 Bar. N'utilisez que les pièces de rechange ou les accessoires spécifiés par le fabricant et ayant une pression nominale minimum de 3 600 PSI. Ceci est valable pour les embouts de pulvérisation, les protecteurs de buse, les pistolets, les rallonges, les raccords et le tuyau.
- Verrouillez toujours la détente quand vous ne pulvérisez pas. Vérifiez que le verrou de la détente fonctionne correctement.
- Vérifiez que toutes les connexions sont bien serrées avant d'utiliser l'appareil.
- Sachez comment arrêter l'appareil et le dépressuriser rapidement. Soyez bien familiarisé avec les commandes. La pression n'est pas libérée lorsque le moteur est arrêté. La poignée du robinet-valve PRIME/SPRAY doit être placée sur PRIME pour libérer la pression. Consultez la PROCÉDURE DE DÉCOMPRESSION décrite dans le manuel de la pompe.
- Retirez toujours l'embout de pulvérisation avant de rincer ou de nettoyer le système.

REMARQUE À L'INTENTION DES MÉDECINS : Les injections cutanées sont des lésions traumatiques; il importe donc de les traiter sans délai. On NE DOIT PAS retarder ce traitement sous prétexte de vérifier la toxicité du produit en cause, celle-ci n'étant conséquente que dans le cas d'injection directe de certains produits dans le système sanguin. Il pourrait s'avérer nécessaire de consulter un plasticien ou un spécialiste en chirurgie reconstructive de la main.



MISE EN GARDE : GÉNÉRALITÉS

D'autres dangers peuvent entraîner des dommages matériels ou des blessures graves.

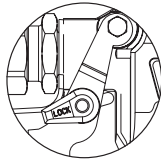
MESURES PRÉVENTIVES :

- Portez toujours les gants, la protection oculaire, les vêtements et un respirateur ou masque appropriés quand vous peignez.
- Ne travaillez pas et ne pulvérisez pas près d'enfants. Éloignez toujours les enfants de l'équipement.
- Ne travaillez pas avec les bras au-dessus de la tête ni sur un support instable. Appuyez-vous bien sur les deux pieds pour toujours conserver l'équilibre.
- Soyez attentif et regardez ce que vous faites.
- N'utilisez pas l'appareil quand vous êtes fatigué ou sous l'influence de drogues ou d'alcool.
- Ne faites pas de nœuds avec le tuyau et ne le tordez pas trop. Le tuyau à vide peut présenter des fuites suite à l'usure, les nœuds ou les mauvais traitements. Une fuite risque d'injecter du produit dans la peau.
- N'exposez pas le tuyau à des températures ou des pressions supérieures à celles spécifiées par le fabricant.
- N'utilisez pas le tuyau pour tirer ou soulever l'équipement.
- Utilisez la plus basse pression possible pour rincer l'équipement.
- Respectez tous les codes locaux, étatiques et nationaux qui régulent la ventilation, la prévention d'incendies et le fonctionnement.
- Les normes de sécurité du gouvernement des États-Unis ont été adoptées dans la loi Occupational safety and Health Act (OSHA). Ces normes, en particulier la partie 1910 des Normes générales et la partie 1926 des Normes de construction, doivent être consultées.
- Avant chaque emploi, vérifiez tous les tuyaux pour détecter d'éventuelles coupures, fuites, abrasion ou couvercle bombé. Vérifiez l'état ou le mouvement des accouplements. Changez immédiatement le tuyau si l'une de ces conditions est vérifiée. Ne réparez jamais un tuyau de peinture. Remplacez-le par un tuyau conducteur à haute pression.
- Ne pulvérisez pas à l'extérieur par temps venteux.
- Débranchez toujours le cordon électrique de la prise avant de travailler sur l'équipement.

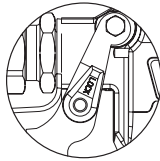
Verrou de détente

Engager le verrou de détente à la fin de chaque utilisation du pistolet.

1. Pour verrouiller le pistolet, tournez le verrou de détente vers l'avant et légèrement vers le bas jusqu'à la butée.
2. Pour déverrouiller le pistolet, tournez le verrou de détente de manière qu'il soit vertical et pointe vers le haut.



Pistolet verrouillé (le pistolet ne peut pas pulvériser)



Pistolet déverrouillé (le pistolet peut pulvériser)

Montage

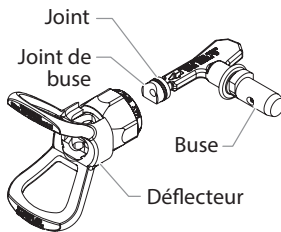


Ne jamais tenter d'assembler, de changer ou de nettoyer le pistolet, la buse ou le déflecteur sans d'abord libérer toute la pression du système de pulvérisation. Suivre la « procédure de décompression » dans le manuel du propriétaire du pulvérisateur.



Toujours utiliser un déflecteur pour plus de protection contre l'injection. Prenez garde, le déflecteur seul ne prévient pas l'injection. Ne jamais couper le déflecteur! Toujours engager la détente lorsque le pistolet n'est pas utilisé. Avant de procéder à l'entretien, consulter le manuel du propriétaire et suivre tous les avertissements.

1. Réglez le pistolet. Référez-vous aux instructions figurant dans le manuel du propriétaire du pulvérisateur.
2. Fixez un tuyau sans air mis à terre à l'admission de la peinture du pistolet. À l'aide de deux clés plates (une sur le pistolet et l'autre sur le tuyau), resserrez à fond.
3. Sans la buse et le déflecteur, démarrez le pistolet. Rincez et préparez le système de pulvérisation conformément au manuel du propriétaire du pulvérisateur. Inspectez le système de pulvérisation pour vous assurer que tous les raccords sont bien fixés et qu'il n'y a pas de fuite.
4. Suivez la « Procédure de décompression » décrite dans le manuel du propriétaire du pulvérisateur.
5. À l'aide la poignée de la buse, insérez le joint de buse et le joint dans l'arrière du déflecteur. Enfoncez-les pour l'ajustement final.
6. Insérez la buse dans la fente du déflecteur.
7. Vissez le déflecteur sur le pistolet. Positionnez le déflecteur dans la position de pulvérisation désirée, serrez ensuite solidement à la main.



NOTA : La flèche sur la poignée devrait pointer vers l'avant pour la pulvérisation.

Fonctionnement

1. Assurez-vous que la flèche sur la poignée pointe vers l'avant pour la pulvérisation.
2. Démarrez le pulvérisateur. Référez-vous aux instructions figurant dans le manuel du propriétaire du pulvérisateur.
3. Ajustez la pression des fluides du pulvérisateur pour obtenir la forme de jet recherchée. Toujours utiliser un minimum de pression pour obtenir les résultats désirés.

NOTA : La buse détermine les dimensions de la répartition et la couverture de la pulvérisation. Lorsqu'il faut plus de couverture, utilisez une plus grande buse au lieu d'augmenter la pression des fluides.

4. Pour nettoyer une buse bouchée :
 - a. Tournez la buse de 180° afin que la flèche sur la poignée pointe dans la direction contraire de la pulvérisation.
 - b. Appuyez une fois sur la détente afin que la pression puisse déboucher le pistolet.

IMPORTANT : Ne jamais appuyer plus d'une fois sur la détente avec la buse dans la position renversée.

- c. Répétez ces étapes jusqu'à ce que la buse soit débloquée.

Changement d'une buse

On peut facilement retirer et remplacer les buses sans démonter le pistolet.

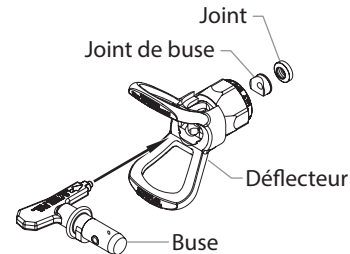


Ne jamais tenter de changer ou de nettoyer la buse ou le déflecteur sans d'abord suivre la « Procédure de décompression ».

1. Suivez la « procédure de décompression » décrite dans le manuel du propriétaire du pulvérisateur.
2. Retirez la buse de la fente sur le déflecteur.
3. Insérez la nouvelle buse dans la fente sur le déflecteur. La flèche sur la poignée devrait pointer vers l'avant pour la pulvérisation.

Retrait du joint et du joint de buse

1. Retirez le déflecteur et la buse du pistolet.
2. Introduisez la poignée de la buse à l'avant du déflecteur.
3. Retirez le joint de buse et sa joint de buse en les poussant (pression transmise par l'arrière du protège-buse).



Détermination des dimensions de la buse

Pour déterminer les dimensions de la buse, utilisez la formule suivante. Une dimension de buse « 517 » sera utilisée dans cet exemple.

Le premier chiffre multiplié par deux représente les dimensions de la forme de pulvérisation lors de la pulvérisation à 12 po de la surface de travail :

$$5 \times 2 = \text{forme de pulvérisation de } 10 \text{ po}$$

Les deux derniers chiffres représentent le diamètre de l'orifice du buse :

$$17 = \text{orifice de } 0,017 \text{ po}$$

NOTA : Les buses usées auront une incidence négative sur la répartition de pulvérisation et entraîneront une réduction de la production, un mauvais fini et une perte de peinture. Remplacez immédiatement les buses usées.

Nettoyage

Il est important de garder le pistolet propre pour assurer un fonctionnement sans problème. Purger le pistolet après chaque utilisation et le ranger dans un endroit sec. Ne pas laisser le pistolet ou ses pièces dans l'eau ou les solvants.



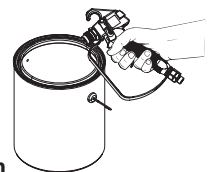
Directives particulières pour le nettoyage au moyen de solvants inflammables :

- Purger le pistolet à l'extérieur de préférence, à une distance d'au moins une longueur de flexible de la pompe.
- Si le solvant usé est recueilli dans un contenant métallique de 4 litres (1 gallon), celui-ci doit être inséré dans un second contenant d'au moins 20 litres (5 gallons).
- L'endroit choisi doit être exempt de vapeurs inflammables.
- On doit suivre les directives de nettoyage à la lettre.

IMPORTANT : Le vaporisateur, le flexible et le pistolet doivent être nettoyés en profondeur après chaque journée d'utilisation et ce, afin d'éviter les accumulations de produit susceptibles de nuire grandement au rendement de l'appareil.



Lorsqu'on se sert d'essence minérale ou d'autres solvants pour nettoyer le vaporisateur, le flexible ou le pistolet, on doit régler la pression au minimum et retirer le buse de pistolet et déflecteur. L'accumulation d'électricité statique risque de provoquer des incendies en présence de vapeurs inflammables. Il faut tenir le pistolet fermement contre un contenant en métal pendant le rinçage.



Entretien



Suivre toutes les mesures de sécurité telles que décrites dans la section des Mesures de sécurité du présent manuel avant de procéder.

NOTA : Consultez la section Liste des pièces du présent manuel pour nommer les pièces.

Remplacement/entretien de l'ensemble de joint

Si votre pulvérisateur fuit ou éclabousse à partir de la buse lorsque vous relâchez la détente, l'aiguille ou le siège est usé, endommagé ou sale et doit être remplacé ou nettoyé.



Ne jamais tenter d'effectuer l'entretien du pistolet sans d'abord suivre la « Procédure de décompression ».

- Débranchez le tuyau de liquide du pistolet.
- Retirez la buse et le déflecteur.
- En appuyant sur la détente, retirez le diffuseur de l'avant du pistolet.
- Retirez l'écrou hexagonal, le bloc de retenue et les chevilles coulissantes de l'arrière du corps du pistolet.
- Retirez l'ensemble de joint de l'avant du corps du pistolet en poussant ou en frappant doucement à l'arrière de l'ensemble de joint.
- Trempez les pièces retirées dans un solvant approprié et essuyez-les.
- Inspectez les pièces pour en vérifier l'usure ou les dommages et utilisez de nouvelles pièces pendant le remontage du pistolet, au besoin.

NOTA : Lubrifiez toutes les garnitures et les pièces mobiles avant le remontage avec une graisse à base de lithium.

- Installez l'ensemble de joint dans l'avant du corps du pistolet.
- Installez les chevilles coulissantes dans l'arrière du corps du pistolet. Glissez le bloc de retenue sur les chevilles coulissantes et fixez-le en place à l'aide de l'écrou hexagonal.
- En appuyant sur la détente, installez le diffuseur dans l'avant du corps du pistolet et fixez-le solidement à l'aide d'une clé plate.
- Suivre les étapes du « Réglage de l'ensemble de joint » décrites ci-dessous.

Réglage de l'ensemble de joint



Un bon réglage de l'ensemble de joint est essentiel pour garantir un arrêt positif lorsque la détente est relâchée.

- Serrez l'écrou hexagonal jusqu'à ce que le bloc de retenue touche le corps du pistolet.
- Dévissez l'écrou hexagonal de 3/4 d'un tour.

NOTA : Pour vérifier le réglage de l'ensemble de joint :

- Verrouillez la détente du pistolet.
- Appuyer sur la détente.

En s'assurant que le pistolet est verrouillé, il devrait y avoir un mouvement de 1/32 po entre l'écrou hexagonal et le bloc de retenue lorsque la détente est en position tirée.

Remplacement/retrait du filtre

- Tirez le bas du protège-doigts vers l'avant jusqu'à ce qu'il se détache de la poignée.
- Desserrez la poignée et retirez-la du corps du pistolet.
- En tournant vers la droite, dévisser le filtre du corps.

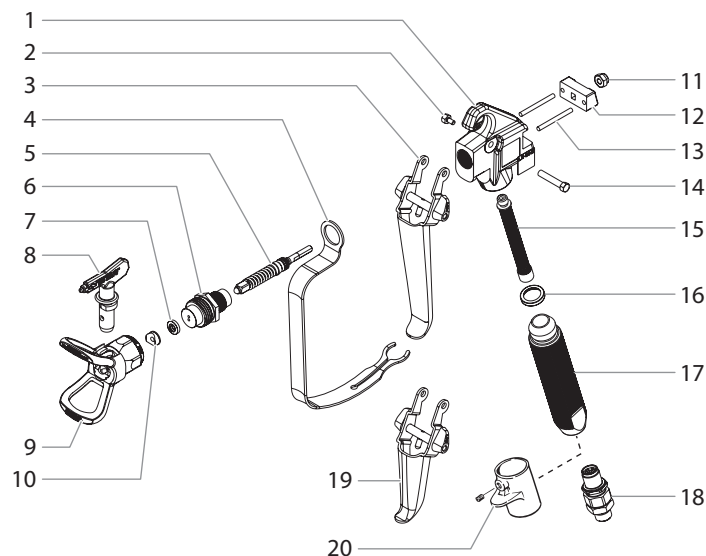
NOTA : Le filetage à gauche requiert qu'on tourne vers la droite pour dévisser.

- En tournant vers la gauche, visser le filtre nettoyé ou de rechange sur le corps.
- Assurez-vous que le joint d'étanchéité de la poignée est en place et vissez la poignée dans le corps du pistolet jusqu'à ce qu'il soit bien serré.
- Réenclenchez le protège-doigts sur la poignée.

Tableau des filtres du pistolet

No de pièce	Utilisation	Type de filtre	Couleur du corps du filtre
500-200-15	Résine synthétique, émail, vernis clair, teintures, azurs.	Extra-fin	rouge
500-200-10	Émail de base, émail primaire, bouche-pores, peintures à marquer, émail texturé.	Fin	jaune
500-200-06	Émulsions, peintures au latex, peintures acryliques	Moyen	blanc
500-200-03	Peintures garnissantes, grandes surfaces	Grossier	vert

Liste de pièces



N°	N° de pièce	Description	Qté
1	580-521	Corps du pistolet.....	1
2	580-513	Vis de détente (courte)	1
3	580-071	Détente, pistolet à quatre doigts (inclut les points 2 et 14)	1
4	580-532	Protège-doigts.....	1
5	580-510	Ensemble de joint.....	1
6	520-093	Diffuseur.....	1
7	651-020	Joint.....	1
8	662-517	Ensemble de buse (inclut les points 7 et 10)	1
9	0289228	Déflexeur	1
10	651-040	Joint de buse	1
11	226-001	Écrou hexagonal	1
12	580-003	Bloc de retenue	1
13	580-025	Cheville coulissante	2
14	580-512	Vis de détente (long)	1
15	500-200-06	Filtre, moyen.....	1
16	560-038	Joint du poignée.....	1
17	580-531	Poignée.....	1
18	580-530	Swivel.....	1
19	581-078	Ensemble de détente, pistolet à deux doigts.....	1
20	581-126	Ensemble de séparateur, pistolet à deux doigts.....	1
	580-533	Ensemble du poignée (inclut les points 17 à 18)	
	580-034A	La trousse de réparation des pistolets (inclut les points 5, 6 et 11)	

Garantie

Titan Tools, inc. (« Titan ») garantit qu'au moment de la livraison à l'acheteur original (« Utilisateur »), l'appareil couvert par la présente garantie sera exempt de défauts de matériaux et de fabrication. Les responsabilités de Titan en vertu de cette garantie se limitent au remplacement ou à la réparation sans frais des pièces dont on aura, à la satisfaction raisonnable de Titan, démontré la défectuosité dans un délai de 12 mois après la date d'achat par l'Utilisateur. Cette garantie ne s'applique que si l'appareil a été installé et utilisé conformément aux recommandations et directives de Titan.

Cette garantie ne s'applique pas dans les cas d'endommagement ou d'usure engendrés par de l'abrasion, de la corrosion, un mauvais usage, de la négligence, un accident, une installation incorrecte, un remplacement par des composants non fournis par Titan ou toute intervention non autorisée apte à nuire au fonctionnement normal de l'appareil.

Les pièces défectueuses doivent être envoyées à un centre de service/vente Titan autorisé; les frais de transport, incluant le retour à l'usine, le cas échéant, doivent être défrayés à l'avance par l'Utilisateur. Une fois remplacées ou réparées, les pièces seront renvoyées à ce dernier par transport prépayé.

AUCUNE AUTRE GARANTIE EXPLICITE N'EST DONNÉE. PAR LES PRÉSENTES, TITAN SE DÉGAGE DE TOUTE AUTRE GARANTIE IMPLICITE, INCLUANT, SANS TOUTEFOIS S'Y LIMITER, LES GARANTIES DE COMMERCIALITÉ ET D'ADAPTATION À UN USAGE PARTICULIER, DANS LES LIMITES PERMISES PAR LA LOI. LA DURÉE DES GARANTIES IMPLICITES NE POUVANT ÊTRE DÉCLINÉES SE LIMITE À LA PÉRIODE INDIQUÉE DANS LA GARANTIE EXPLICITE. LES RESPONSABILITÉS DE TITAN NE SAURAIENT EN AUCUN CAS SE CHIFFRER À UN MONTANT SUPÉRIEUR À CELUI DU PRIX D'ACHAT, ET CELLES RELATIVES AUX DOMMAGES CONSÉCUTIFS, ACCESSOIRES OU PARTICULIERS EN VERTU DE TOUTE GARANTIE SONT ÉGALEMENT DÉCLINÉES, DANS LES LIMITES PERMISES PAR LA LOI.

TITAN NE DONNE AUCUNE AUTRE GARANTIE EXPLICITE ET DÉCLINE TOUTE GARANTIE IMPLICITE DE COMMERCIALITÉ ET D'ADAPTATION À UN USAGE PARTICULIER RELATIVEMENT AUX ACCESSOIRES, À L'ÉQUIPEMENT, AUX MATÉRIAUX OU AUX COMPOSANTS VENDUS MAIS NON FABRIQUÉS PAR ELLE; CES ÉLÉMENTS (MOTEURS À ESSENCE, COMMUTATEURS, FLEXIBLES, ETC.) SONT PLUTÔT SOUMIS, LE CAS ÉCHÉANT, AUX GARANTIES DE LEUR FABRICANT. TITAN S'ENGAGE À OFFRIR UN SOUTIEN RAISONNABLE AUX UTILISATEURS QUI FERONT DES RÉCLAMATIONS RELATIVES À L'INOBSERVATION DE CES GARANTIES.

The logo for Titan Tools, featuring the word "TITAN" in a bold, italicized, sans-serif font with a trademark symbol.

United States Sales & Service

Phone: 1-800-526-5362

Fax: 1-800-528-4826

1770 Fernbrook Lane
Minneapolis, MN 55447
www.titantool.com

International

international@titantool.com

Fax: 1-763-519-3509

1770 Fernbrook Lane
Minneapolis, MN 55447

LX-80 II

Pistola de alta presión

Información Importante sobre Seguridad



Lea toda la información de seguridad antes de operar el equipo. Guarde estas instrucciones.



Indica una situación peligrosa que, de no evitarse, puede causar la muerte o lesiones graves.

Para reducir los riesgos de incendios, explosiones, descargas eléctricas o lesiones a las personas, lea y entienda todas las instrucciones incluidas en este manual. Familiarícese con los controles y el uso adecuado del equipo.



ADVERTENCIA: EXPLOSIÓN O INCENDIO

Los vapores de solventes y pinturas pueden explotar o inflamarse. Pueden producirse daños materiales, lesiones graves o ambos.

PREVENCIÓN:

- No pulverice materiales inflamables ni combustibles cerca de llamas desnudas, pilotos o fuentes de ignición como objetos calientes, cigarrillos, motores, equipos eléctricos o electrodomésticos. Evite producir chispas al conectar y desconectar los cables de alimentación.
- Para unidades que se vayan a utilizar solamente con materiales acuosos o de tipo de alcohol mineral con un punto de inflamación mínimo de 38 °C (100 °F) — No pulverice ni limpie con líquidos que tengan un punto de inflamación por debajo de 38 °C (100 °F). El punto de inflamación es la temperatura a la que un fluido puede producir vapor suficiente como para incendiarse.
- Tenga muchísimo cuidado al usar materiales cuyo punto de ignición sea inferior a 100°F (38°C). **Consulte el manual de la bomba con el fin de determinar si estos materiales pueden ser pulverizados.**
- La pintura o disolvente que pase por el equipo puede producir electricidad estática. La electricidad estática supone un riesgo de incendio o explosión en presencia de emanaciones de pintura o disolvente. Todas las piezas del sistema pulverizador, incluyendo la bomba, el conjunto de mangueras, la pistola pulverizadora y los objetos dentro y alrededor de la zona de pulverización se conectarán a tierra para protegerlos frente a descargas estáticas y chispas. Utilice solamente mangueras para pulverizadores de pintura airless (sin aire) de alta presión conductoras o con toma a tierra especificadas por el fabricante.
- Compruebe que todos los recipientes y sistemas de recogida están conectados a tierra para evitar descargas eléctricas.
- Conecte a una salida con toma a tierra y utilice cables alargadores puestos a tierra. No utilice un adaptador de 3 a 2.
- No utilice pintura o disolvente que contenga hidrocarburos halogenados, como cloro, fungicida blanqueador, cloruro de metileno y tricloroetano. No son compatibles con el aluminio. Póngase en contacto con el proveedor del material para conocer su compatibilidad con el aluminio.
- Mantenga la zona de pulverización bien ventilada. Asegúrese de que circula aire fresco por la zona para evitar que se acumulen vapores inflamables en el aire de la zona de pulverización. Ponga el conjunto de la bomba en una zona bien ventilada. No pulverice el conjunto de la bomba.
- No fume en la zona de pulverización.
- No encienda interruptores de luces, motores ni productos similares que puedan producir chispas en la zona de pulverización.
- Mantenga la zona limpia y despejada de botes de pintura y disolventes, trapos y otros materiales inflamables.
- Infórmese del contenido de la pintura y de los disolventes que pulverice. Lea las hojas de datos sobre seguridad de los materiales (MSDS) y las etiquetas en los botes de pintura y disolvente. Siga las instrucciones de seguridad del fabricante de la pintura y del disolvente.
- Coloque la bomba al menos a 7,62 metros (25 pies) del objeto que se va a pulverizar en una zona bien ventilada (añada más manguera si fuera necesario). Los vapores inflamables suelen ser más pesados que el aire. La zona del suelo debe estar muy bien ventilada. La bomba contiene piezas que forman arcos que producen chispas y pueden inflamar los vapores.
- El plástico puede producir chispas estáticas. Nunca utilice plástico para cercar la zona de pulverización. No utilice cortinas de plástico mientras pulveriza material inflamable.
- Deberá contar con equipos extintores de incendios que funcionen correctamente.



ADVERTENCIA: LESIÓN POR INYECCIÓN

El flujo de pintura a alta presión que produce este equipo puede perforar la piel y los tejidos subyacentes, ocasionando lesiones graves y posible amputación. CONSULTE A UN MÉDICO INMEDIATAMENTE.

PREVENCIÓN:

- No apunte con la pistola ni pulverice sobre ninguna persona ni animal.

- Mantenga las manos y el resto del cuerpo lejos de la descarga. Por ejemplo, no trate de detener fugas con ninguna parte de su cuerpo.
- NUNCA ponga la mano frente a la pistola. Los guantes no protegen contra una lesión por inyección.
- SIEMPRE mantenga la protección de la boquilla en su sitio al rociar. La protección de la boquilla sirve principalmente de dispositivo de advertencia.
- Utilice solamente la boquilla especificada por el fabricante.
- Tenga cuidado al limpiar y cambiar las boquillas. Si la boquilla se atasca durante la pulverización, ponga SIEMPRE el seguro del gatillo de la pistola, apague la bomba y libere toda la presión antes de reparar, limpiar el protector o la boquilla o cambiar la boquilla. La presión no se libera apagando el motor. Para liberar la presión hay que poner la manija de la válvula PRIME/SPRAY en PRIME. Consulte el Procedimiento de Alivio de Presión que se describe en el manual de la bomba.
- No deje el aparato con corriente ni con presión cuando nadie esté pendiente de ella. Cuando no utilice el aparato, apáguelo y libere la presión siguiendo las instrucciones del fabricante.
- La pulverización a alta presión puede inyectar toxinas en el cuerpo y producir daños graves en el mismo. En caso de que esto ocurra, visite a un médico inmediatamente.
- Compruebe las mangueras y las piezas en busca de daños; una fuga puede inyectar material en la piel. Inspeccione la manguera antes de cada uso. Sustituya las mangueras o las piezas dañadas. Por razones de funcionamiento, seguridad y duración, emplear únicamente mangueras de alta presión originales de TITAN.
- Este sistema es capaz de producir 3600 PSI / 248 Bar. Utilice solamente piezas de repuesto o accesorios especificados por el fabricante y con una capacidad nominal de 3600 PSI como mínimo. Entre ellos se incluyen boquillas pulverizadoras, protectores para las boquillas, pistolas, alargadores, racores y mangueras.
- Ponga siempre el seguro del gatillo cuando no esté pulverizando. Verifique que el seguro del gatillo funciona correctamente.
- Antes de utilizar el aparato, verifique que todas las conexiones son seguras.
- Aprenda a detener el aparato y a liberar la presión rápidamente. Familiarícese a conciencia con los controles. La presión no se libera apagando el motor. Para liberar la presión hay que poner la manija de la válvula PRIME/SPRAY en PRIME. Consulte el Procedimiento de Alivio de Presión que se describe en el manual de la bomba.
- Quite siempre la boquilla pulverizadora antes de enjuagar o limpiar el sistema.

NOTA PARA EL MÉDICO: La inyección a través de la piel es una lesión traumática. Es importante tratar la lesión tan pronto sea posible. NO retrase el tratamiento para investigar la toxicidad. La toxicidad es un factor a considerar con ciertos revestimientos inyectados directamente en la corriente sanguínea. Puede ser aconsejable consultar con un cirujano plástico o un cirujano especialista en reconstrucción de las manos.



ADVERTENCIA: GENERAL

Puede causar daños materiales o lesiones graves.

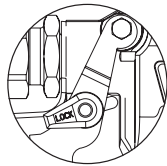
PREVENCIÓN:

- Cuando pinte, lleve siempre guantes, protección para los ojos, ropa y un respirador o máscara adecuados.
- Nunca utilice el aparato ni pulverice cerca de niños. Mantenga el equipo alejado de los niños en todo momento.
- No se estire demasiado ni se apoye sobre un soporte inestable. Mantenga los pies bien apoyados y el equilibrio en todo momento.
- No se distraiga y tenga cuidado con lo que hace.
- No utilice el aparato si está fatigado o se encuentra bajo la influencia del alcohol o de las drogas.
- No retuerza ni doble la manguera en exceso. En la manguera airless pueden aparecer fugas a causa del desgaste, de retorcimientos o de un mal uso. Una fuga puede inyectar material en la piel.
- No exponga la manguera a temperaturas o presiones que superen las especificadas por el fabricante.
- No utilice la manguera como elemento de fuerza para tirar del equipo o levantarlo.
- Utilice la presión más baja posible para enjuagar el equipo.
- Cumpla todos los reglamentos locales, estatales y nacionales pertinentes relativos a ventilación, prevención de incendios y funcionamiento.
- Las normas sobre seguridad del gobierno de los Estados Unidos se han adoptado al amparo de la Ley de salud y seguridad ocupacional (OSHA). Deben consultarse tres normas, particularmente la sección 1910 de las Normas generales y la sección 1926 de las Normas sobre construcción.
- Cada vez que vaya a utilizar el equipo, compruebe antes todas las mangueras en busca de cortes, fugas, abrasión o bultos en la cubierta. Compruebe el movimiento de los acoplamientos y si están dañados. Sustituya inmediatamente una manguera si descubre alguna de estas anomalías. No repare nunca una manguera de pintura. Sustitúyala por una manguera conductora a alta presión.
- No pulverice al aire libre si hace viento.
- Desenchufe siempre el cable antes de trabajar en el equipo.

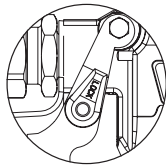
Seguro del gatillo

Enganche el seguro del gatillo cuando la pistola no esté en uso.

1. Para bloquear la pistola, gire el seguro del gatillo hacia adelante y levemente hacia abajo hasta que se detenga.
2. Para desbloquear la pistola, gire el seguro del gatillo hacia el mango.



Pistola bloqueada (pistola no rociador)



Pistola desbloqueada (pistola rociador)

Montaje

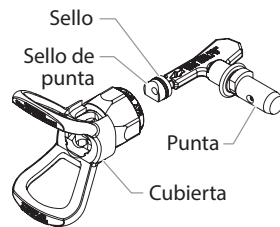


Nunca intente ensamblar, cambiar o limpiar la pistola, una boquilla o protección de boquilla sin aliviar primero la presión del sistema de pulverización. Siga el "Procedimiento de liberación de presión" que se indica en el manual del propietario del pulverizador.



Use siempre una protección de boquilla de seguridad para aumentar la protección contra la inyección. Tenga cuidado, la protección por sí sola no evitará la inyección. Nunca corte la protección de la boquilla. Bloquee siempre el gatillo de la pistola cuando ésta última no esté en uso. Antes de realizar mantenimiento al equipo, consulte el manual del propietario y siga todas las advertencias.

1. Ajuste el pulverizador. Consulte las instrucciones en el manual del propietario del pulverizador.
2. Conecte una manguera de pulverización conectada a tierra, sin aire, a la entrada de material en la pistola. Use dos llaves (una en la pistola y la otra en la manguera) para apretar firmemente.
3. Arranque el pulverizador sin la punta ni la cubierta en la pistola. Enjuague y prepare el sistema de pulverización según el manual del propietario del pulverizador. Inspeccione el sistema de pulverización para asegurarse de que todos los acoples estén firmes y que no haya fugas.
4. Realice el "Procedimiento de liberación de presión" que se describe en el manual del propietario del pulverizador.
5. Con un pieza de sujeción de la punta, inserte la sello de la punta y el sello en la parte posterior de la cubierta. Presione para el ajuste final.
6. Inserte la punta en la ranura de la cubierta.
7. Rosque la cubierta en la pistola. Coloque la cubierta en la posición de pulverización que desee y luego apriete firmemente con la mano.



NOTA: La flecha en la pieza de sujeción de la boquilla debe apuntar hacia delante para pulverizar.

Operación

1. Asegúrese de que la flecha en la pieza de sujeción de la punta apunte hacia delante para pulverizar.
2. Comience a usar el pulverizador. Consulte las instrucciones en el manual del propietario del pulverizador.
3. Ajuste la presión del líquido en el pulverizador hasta que se atomice completamente la pulverización. Siempre pulverice a la presión más baja necesaria para conseguir los resultados deseados.

NOTA: La punta de pulverización determina el tamaño del patrón de pulverización y la cobertura. Cuando se necesita más cobertura, use una boquilla más grande en lugar de aumentar la presión del líquido.

4. Para limpiar una boquilla obstruida:
 - a. Gire la punta 180° para que la flecha de la pieza de sujeción apunte en la dirección opuesta a la dirección de pulverización.
 - b. Apriete una vez el gatillo de la pistola para que la presión pueda limpiar la obstrucción.

IMPORTANTE: Nunca apriete el gatillo más de una vez cuando la boquilla esté en la posición de retroceso.

- c. Siga este procedimiento hasta que la punta quede libre de obstrucciones.

Cambio de la Punta

Puede retirar y reemplazar fácilmente las puntas sin desmontar la pistola.

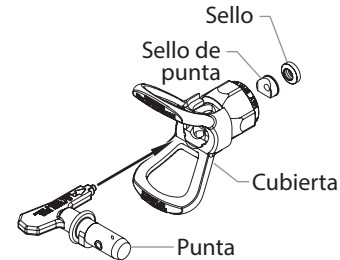


Nunca intente cambiar o limpiar la boquilla o la protección de boquilla sin realizar antes el "Procedimiento de liberación de presión".

1. Realice el "Procedimiento de liberación de presión" que se describe en el manual del propietario del pulverizador.
2. Retire la punta de la ranura de la cubierta.
3. Inserte la punta nueva en la ranura de la cubierta. La flecha en la pieza de sujeción de la punta debe apuntar hacia delante para pulverizar.

Retiro de la sello y de la sello de la punta

1. Retire la punta y su cubierta de la pistola pulverizadora.
2. Inserte la pieza de sujeción de la punta por la parte delantera de la cubierta.
3. Empuje la junta y su junta de la boquilla por la parte posterior de la cubierta.



Identificación de tamaños de las puntas

Para identificar los tamaños de las punta, utilice la siguiente fórmula. En este ejemplo se utilizará un tamaño de punta "517".

El primer dígito multiplicado por dos representa el tamaño del patrón de pulverización al pulverizar a una distancia de 30 cm (12") de la superficie de trabajo:

$5 \times 2 = 10"$ (25 cm) de patrón de pulverización

Los dos dígitos siguientes representan el diámetro del orificio en la punta:

$17 =$ orificio de 0,017" (0,43 mm)

NOTA: Las boquillas de pulverización desgastadas afectarán negativamente el patrón de pulverización, generando una reducción de la producción, un acabado deficiente y un desperdicio de material. Reemplace inmediatamente las boquillas desgastadas.

Limpieza

Es importante mantener la pistola limpia, a fin de garantizar una operación sin problemas. Enjuague la pistola después de cada uso y guárdela en un lugar seco. No deje la pistola ni cualquiera de las piezas en agua o solventes.



Instrucciones de limpieza especiales para usar con solventes inflamables:

- Siempre lave la pistola rociadora preferiblemente afuera y alejada por lo menos un largo de manguera de la bomba rociadora.
- Si recoge los solventes lavados en un recipiente metálico de un galón, colóquelo en un recipiente vacío de cinco galones, luego lave los solventes.
- El área debe estar libre de vapores inflamables.
- Siga todas las instrucciones de limpieza.

IMPORTANTE: Deben limpiarse el rociador, la manguera y la pistola totalmente después del uso diario. De lo contrario, se permite la acumulación de material, afectando seriamente el rendimiento de la unidad.



Siempre rocíe con la presión mínima y sin la punta y cubierta de la pistola al utilizar alcoholes minerales u otros solventes para limpiar el rociador, la manguera o la pistola. La acumulación de electricidad estática puede producir un incendio o explosión en la presencia de vapores inflamables. Sostenga la pistola firmemente contra un contenedor de metal al enjuagar.



Mantenimiento



Siga todas las precauciones de seguridad que se describen en la sección Precauciones de seguridad de este manual antes de seguir.

NOTA: Consulte la sección Lista de piezas en este manual para la identificación de las piezas.

Reemplazo/mantenimiento del conjunto de la sello

Si la pistola pulverizadora gotea o salpica en la punta cuando se suelta el gatillo, la aguja o el asiento están gastados, dañados o sucios, y se deben reemplazar o limpiar.



Nunca intente realizar mantenimiento en la pistola pulverizadora sin antes realizar un "Procedimiento de liberación de presión".

1. Desconecte la manguera de líquido de la pistola.
2. Retire la punta y la cubierta.
3. Con el gatillo presionado, retire el difusor de la parte delantera de la pistola.
4. Retire la tuerca de sujeción, la carcasa trasera y los pasadores de retracción de la parte posterior del cabezal de la pistola.
5. Retire el conjunto de la junta de la parte delantera del cabezal de la pistola, empujando o golpeando suavemente en la parte posterior del conjunto de la junta.
6. Empape las piezas que retiró en el solvente correspondiente y límpielas.
7. Inspeccione que las piezas no estén desgastadas o dañadas, y utilice piezas nuevas durante el reensamblaje de la pistola, cuando sea necesario.

NOTA: Lubrique todas las empaquetaduras y piezas móviles con grasa a base de litio antes de reensamblar.

8. Instale el conjunto de la junta en la parte delantera del cabezal de la pistola.
9. Instale los pasadores de retracción en la parte posterior del cabezal de la pistola. Deslice la carcasa trasera en los pasadores de retracción y fíjela en su posición con la tuerca de sujeción.
10. Con el gatillo presionado, instale el difusor en la parte delantera del cabezal de la pistola y apriete firmemente con una llave.
11. Siga el procedimiento "Ajuste del conjunto de la junta" que se describe a continuación.

Ajuste del conjunto de la junta



El ajuste apropiado del conjunto de la junta es esencial para garantizar un cierre positivo al soltar el gatillo.

1. Apriete la tuerca de sujeción hasta que la carcasa trasera esté a ras con el cabezal de la pistola.
2. Destornille la tuerca de sujeción 3/4 de giro.

NOTA: Para verificar el ajuste del conjunto de la junta:

1. Mueva el seguro del gatillo de la pistola a la posición bloqueada.
2. Tire del gatillo.

Con el seguro del gatillo enganchado, debe existir 0,7 mm (1/32") de movimiento entre la tuerca de sujeción y la carcasa trasera al tirar del gatillo.

Retiro/reemplazo del filtro

1. Tire de la parte inferior del guardamonte hacia delante para que se suelte del conjunto de la pieza de sujeción.
2. Suelte y retire el conjunto de la pieza de sujeción del cabezal de la pistola.
3. Girando en el sentido horario, destornille el filtro de la pistola.

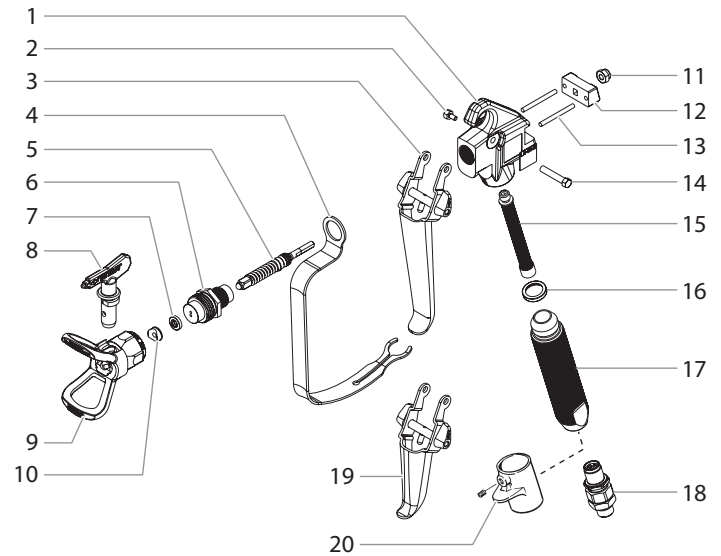
NOTA: Con los roscados hacia la izquierda se debe girar el filtro en el sentido horario para retirarlo.

4. Girando en el sentido antihorario, atornille el filtro nuevo o limpio en la pistola.
5. Asegúrese de que la junta de la pieza de sujeción esté en posición y enrosque el conjunto de la pieza de sujeción en el cabezal de la pistola hasta que esté fijo.
6. Fije el guardamonte de vuelta en el conjunto de la pieza de sujeción.

Tabla del filtro de la pistola

No. de pieza	Aplicación	Tipo de filtro	Color del cuerpo del filtro
500-200-15	Resina sintética, esmaltes, barnices claros, tintes, pinturas azules	Extrafino	rojo
500-200-10	Esmaltes de revestimiento, esmaltes imprimadores, blancos de carga, pinturas para marcar, esmaltes de textura	Fino	amarillo
500-200-06	Emulsiones, pinturas de látex, pinturas, acrílicas	Mediano	blanco
500-200-03	Pinturas de fondo, superficies de área extensa	Grueso	verde

Lista de piezas



Art.	Pieza No.	Descripción	Cantidad
1	580-521	Alojamiento de la pistola	1
2	580-513	Tornillo del gatillo (corto)	1
3	580-071	Ensamblaje del gatillo, pistola de cuatro dedos (incluye artículos 2 y 14)	1
4	580-532	Protector del gatillo	1
5	580-510	Ensamblaje de sello	1
6	520-093	Difusor	1
7	651-020	Sello	1
8	662-517	Ensamblaje del punta (incluye artículos 7 y 10)	1
9	0289228	Cubierta	1
10	651-040	Sello de punta	1
11	226-001	Tuerca hexagonal	1
12	580-003	Bloque de retención	1
13	580-025	Pasador deslizante	2
14	580-512	Tornillo del gatillo (largo)	1
15	500-200-06	Filtro, mediano	1
16	560-038	Sello de mango	1
17	580-531	Mango	1
18	580-530	Giratoria	1
19	581-078	Ensamblaje del gatillo, pistola de dos dedos	1
20	581-126	Ensamblaje de separador, pistola de dos dedos	1
	580-533	Ensamblaje de mango (incluye artículos 17-18)	
	580-034A	Kit de reparación de la pistola (incluye artículos 5, 6, y 11)	

Garantía

Titan Tool, Inc., ("Titan") garantiza que en el momento de la entrega al comprador original para su uso ("Usuario final"), el equipo cubierto por esta garantía está exento de defectos en material y fabricación. La obligación de Titan en virtud de esta garantía se limita a sustituir o reparar sin cargo las piezas que; a la entera satisfacción de Titan, demuestren estar defectuosas dentro de 12 meses después de la venta al usuario final. Esta garantía corresponde solamente cuando la unidad se instala y funciona según las recomendaciones e instrucciones de Titan.

Esta garantía no corresponde en el caso de daños o desgaste causados por abrasión, corrosión o uso indebido, negligencia, accidente, instalación errada, sustitución de piezas con componentes que no sean Titan o alteraciones con la unidad de tal modo que se vea afectado el funcionamiento normal.

Las piezas defectuosas deben devolverse a un centro de ventas y servicio autorizado de Titan. Todos los cargos de transporte, incluso la devolución a la fábrica, si es necesario, debe pagarlos previamente el usuario final. El equipo reparado o cambiado se devolverá al usuario final con porte prepago.

NO EXISTE NINGUNA OTRA GARANTÍA EXPRESA. TITAN DESCONOCE POR LA PRESENTE TODA OTRA GARANTÍA IMPLÍCITA INCLUSIVE ENTRE OTRAS, LAS DE COMERCIALIZACIÓN E IDONEIDAD PARA UN FIN PARTICULAR, EN LA MEDIDA QUE LO PERMITA LA LEY. LA DURACIÓN DE LAS GARANTÍAS IMPLÍCITAS QUE NO PUEDEN DESCONOCERSE SE LIMITA AL PLAZO ESPECIFICADO EN LA GARANTÍA EXPRESA. EN NINGÚN CASO EXCEDERÁ LA RESPONSABILIDAD DE TITAN EL MONTO DEL PRECIO DE COMPRA. LA RESPONSABILIDAD CIVIL POR DAÑOS Y PERJUICIOS RESULTANTES, FORTUITOS O ESPECIALES BAJO TODA GARANTÍA QUEDA EXCLUIDA EN LA MEDIDA QUE LO PERMITA LA LEY.

TITAN NO OFRECE GARANTÍAS Y DESCONOCE TODA GARANTÍA IMPLÍCITA DE COMERCIALIZACIÓN E IDONEIDAD PARA UN FIN PARTICULAR REFERENTE A ACCESORIOS, EQUIPO, MATERIALES O COMPONENTES VENDIDOS PERO NO FABRICADOS POR TITAN. AQUELLOS ARTÍCULOS VENDIDOS, PERO NO FABRICADOS POR TITAN (COMO LOS MOTORES DE GAS, INTERRUPTORES, MANGUERAS, ETC.) ESTÁN PROTEGIDOS POR LA GARANTÍA DE SU PROPIO FABRICANTE, SI LA HAY. TITAN PROPORCIONARÁ AL COMPRADOR ASISTENCIA RAZONABLE PARA EFECTUAR RECLAMOS EN CASO DE INCUMPLIMIENTO DE ESTAS GARANTÍAS.

The logo for Titan Tool, Inc. features the word "TITAN" in a bold, italicized, sans-serif font. The letters are black with a white outline, and a small "TM" trademark symbol is positioned to the upper right of the final letter.

United States Sales & Service

Phone: 1-800-526-5362

Fax: 1-800-528-4826

1770 Fernbrook Lane
Minneapolis, MN 55447
www.titantool.com

International
international@titantool.com
Fax: 1-763-519-3509

1770 Fernbrook Lane
Minneapolis, MN 55447