

GB D F

Operating manual

Betriebsanleitung.....p. 22

Mode d'emploi.....p. 44



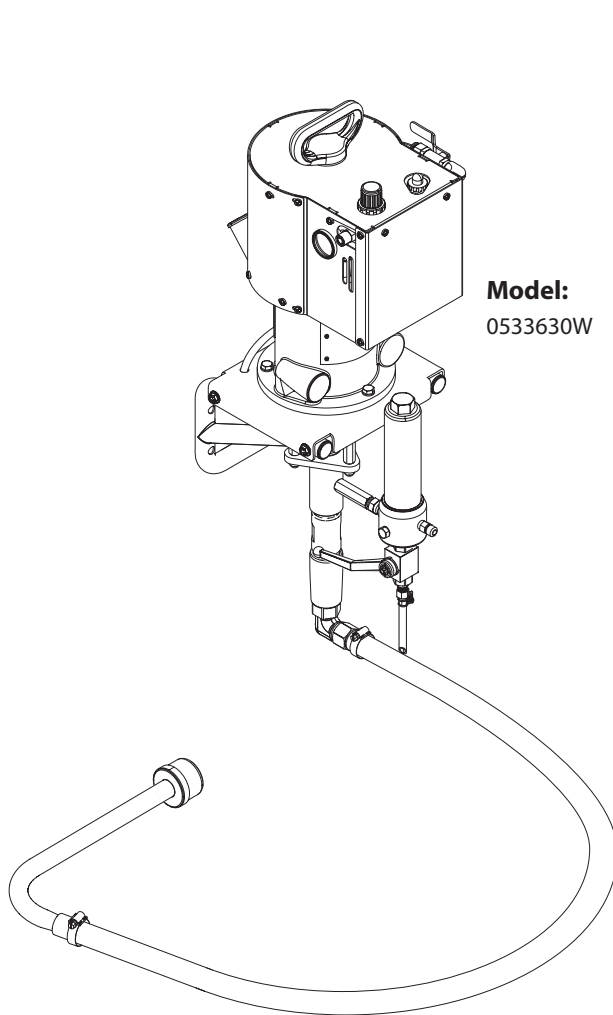
Advanced Performance. Total Reliability.

PowerCoat 630

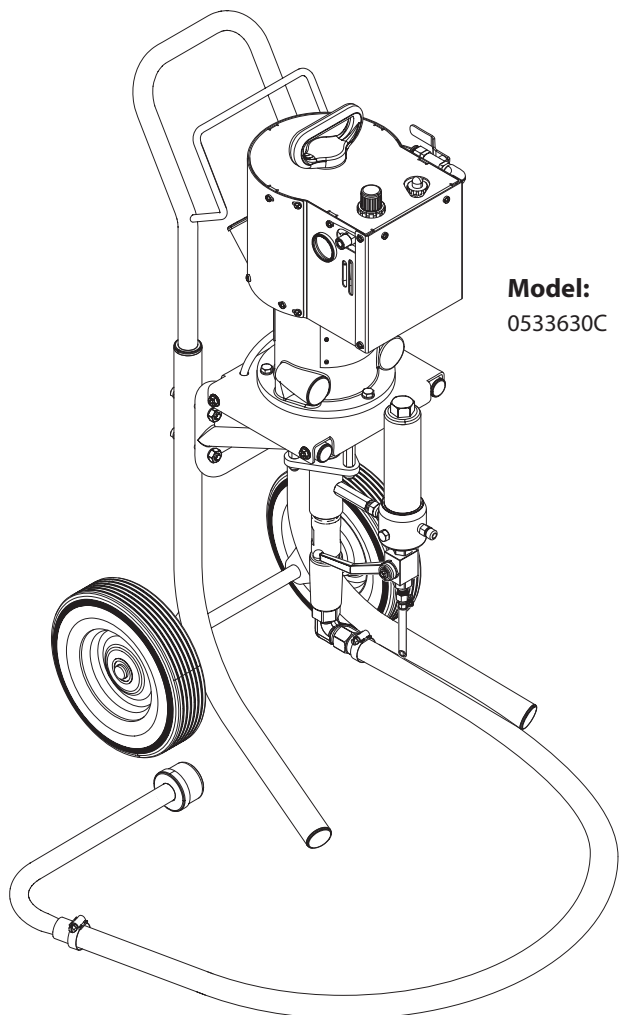
Air Powered Airless Sprayer

Mit Druckluft betriebenes Airless-Spritzgerät

Pulvérisateur sans air pneumatique



Model:
0533630W

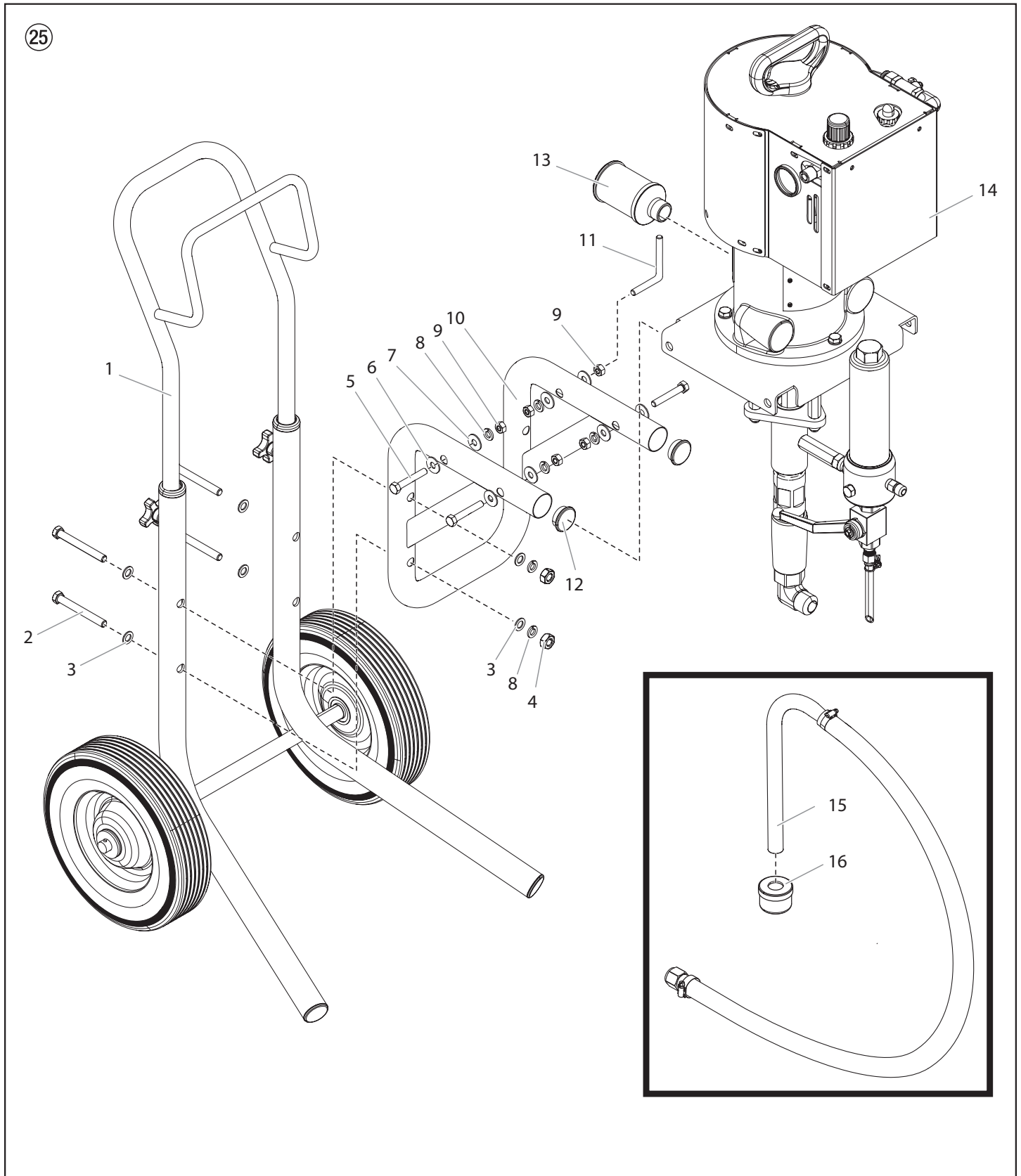


Model:
0533630C

Ⓒ Main Assembly

Ⓓ Hauptbaugruppe

Ⓕ Ensemble principal



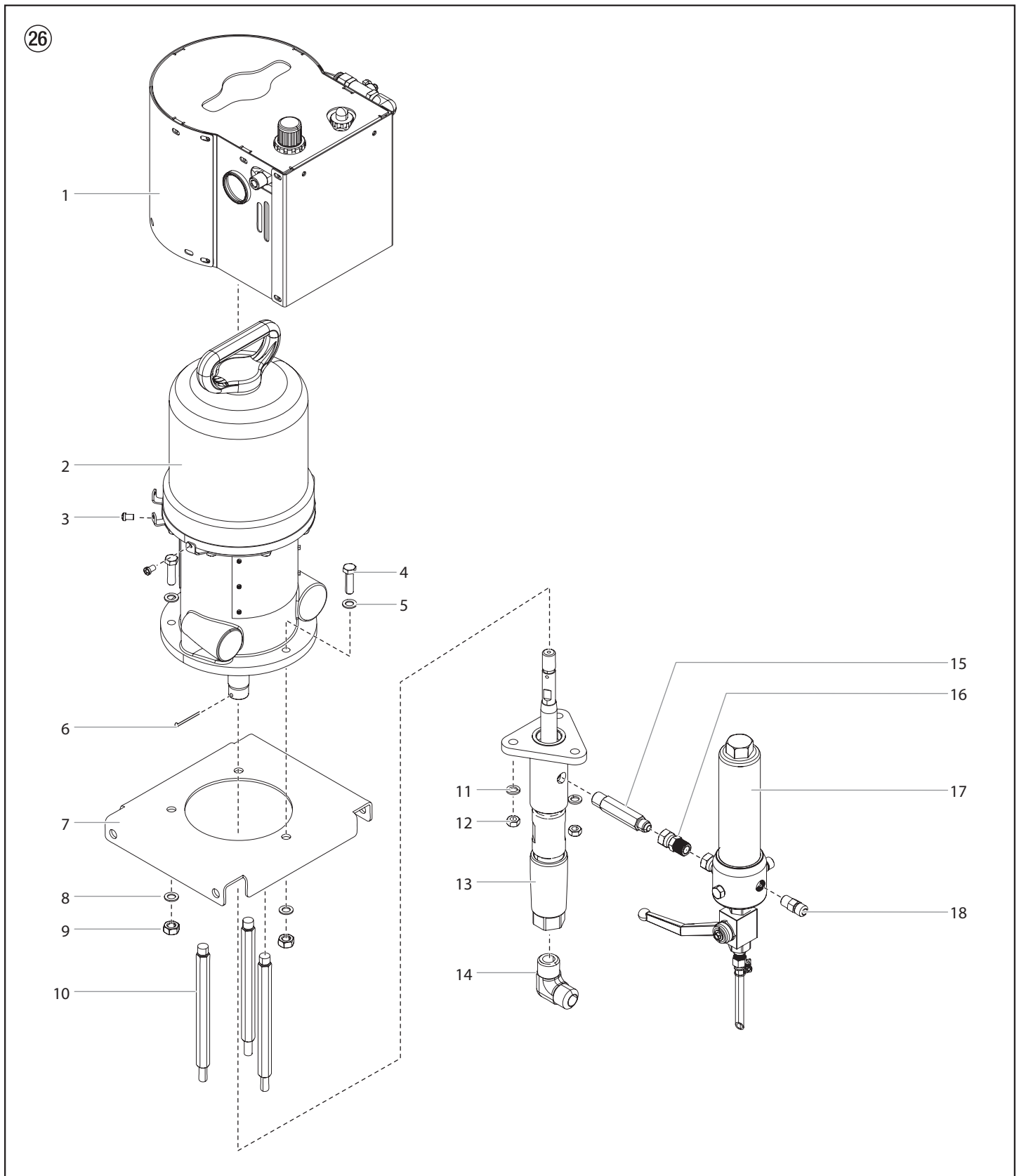
Pos.	630W 630C	(GB) Description	(D) Benennung	(F) Description
1*	0533245	Cart assembly (cart model)	Wagenbaugruppe (Wagenmodell)	Ensemble de chariot (modèles à chariot)
2	9805464	Screw (4)	Schraube (4)	Vis (4)
3	9805465	Washer (8)	Scheibe (8)	Rondelle (8)
4	9805466	Nut (4)	Mutter (4)	Écrou (4)
5	9805467	Screw (3)	Schraube (3)	Vis (3)
6	0509285	Washer (4)	Scheibe (4)	Rondelle (4)
7	9805465	Washer (4)	Scheibe (4)	Rondelle (4)
8	0509292	Lock washer (8)	Sicherungsscheibe (8)	Rondelle de blocage (8)
9	9805466	Nut (5)	Mutter (5)	Écrou (5)
10	0533246	Wall mount weldment	Baugruppe Wandhalterung	Ensemble soudé du montant mural
11	0533580	Hook	Haken	Crochet
12	0533553	Plug (2)	Stöpsel (2)	Fiche (2)
13	830-340	Muffler	Schalldämpfer (2)	Silencieux
14*	-----	Motor / pump assembly	Motor / Pumpenbaugruppe	Ensemble du moteur / pompe
15	0533247	Siphon tube assembly (includes item 16)	Syphonschlauch-baugruppe (beinhaltet Posten 16)	Tuyau du siphon (comprend le article 16)
16	0533443	Filter screen	Enlassieb	Grille d'entrée d'air
Optional • Optional • Optional				
	0533248	Siphon assembly, 55 gallon (includes item 16)	Syphonschlauch-baugruppe, 208 L. (Beinhaltet Posten 16)	Tuyau du siphon, 208 L (comprend le article 16).

- * See separate listing
- * Siehe separate Auflistung
- * voir la liste de pièces distincte

(GB) Motor / Pump Assembly

(D) Motor / Pumpenbaugruppe

(F) Ensemble du moteur / pompe



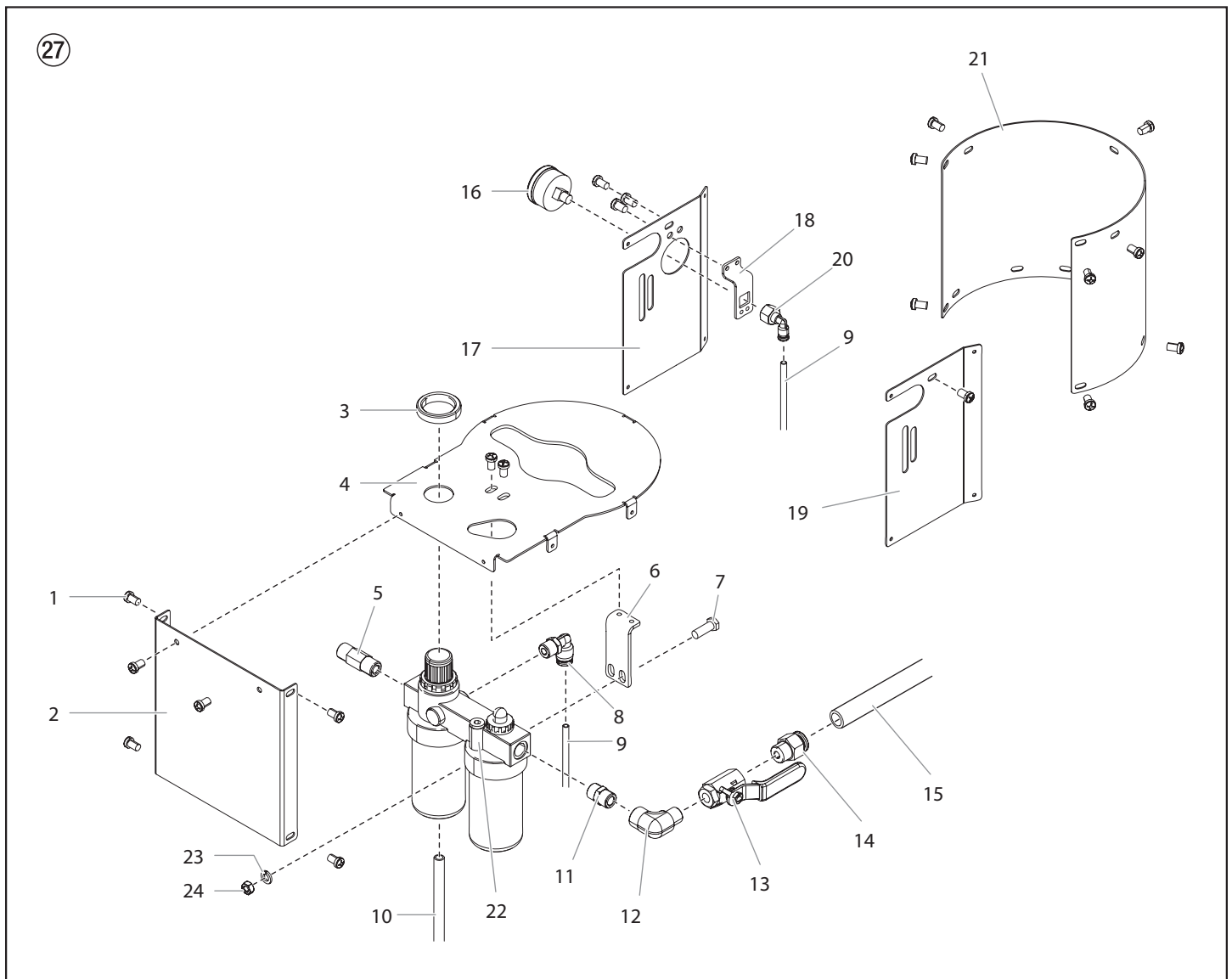
Pos.	630W 630C	ⓄGB Description	ⓄD Benennung	ⓄF Description
1*	-----	Upper shroud assembly	Baugruppe obere Abdeckung	Ensemble du logement supérieur
2*	0533250	Air motor assembly	Luftmotor	Moteur pneumatique
3	0533463	Screw (4)	Schraube (4)	Vis (4)
4	0533448	Screw (3)	Schraube (3)	Vis (3)
5	51357	Lock washer (3)	Sicherungsscheibe (3)	Rondelle de blocage (3)
6	0533441	Pin	Stift	Goupille
7	0533450	Bracket	Halterung	Support
8	0533628	Washer (3)	Scheibe (3)	Rondelle (3)
9	0533374	Nut (3)	Mutter (3)	Écrou (3)
10	0533625	Stanchion (3)	Stütze (3)	Colonne (3)
11	0509292	Washer (3)	Scheibe (3)	Rondelle (3)
12	9805466	Nut (3)	Mutter (3)	Écrou (3)
13*	0533254	Pump assembly	Flüssigkeitspumpe	Pompe de fluides
14	0533631	Elbow, 90°	Winkel, 90°	Coude, 90°
15	0533632	Fitting	Beschlag	Raccord
16	0533633	Nipple	Nippel	Raccord
17*	0533255	Filter assembly	Filterbaugruppe	Ensemble de filtre
18	0533634	Spray hose outlet fitting	Auslassanschluss Spritzschlauch	Raccord de sortie du tuyau de pulvérisation

- * See separate listing
- * Siehe separate Auflistung
- * voir la liste de pièces distincte

(GB) Upper shroud assembly

(D) Baugruppe obere Abdeckung

(F) Ensemble du logement supérieur



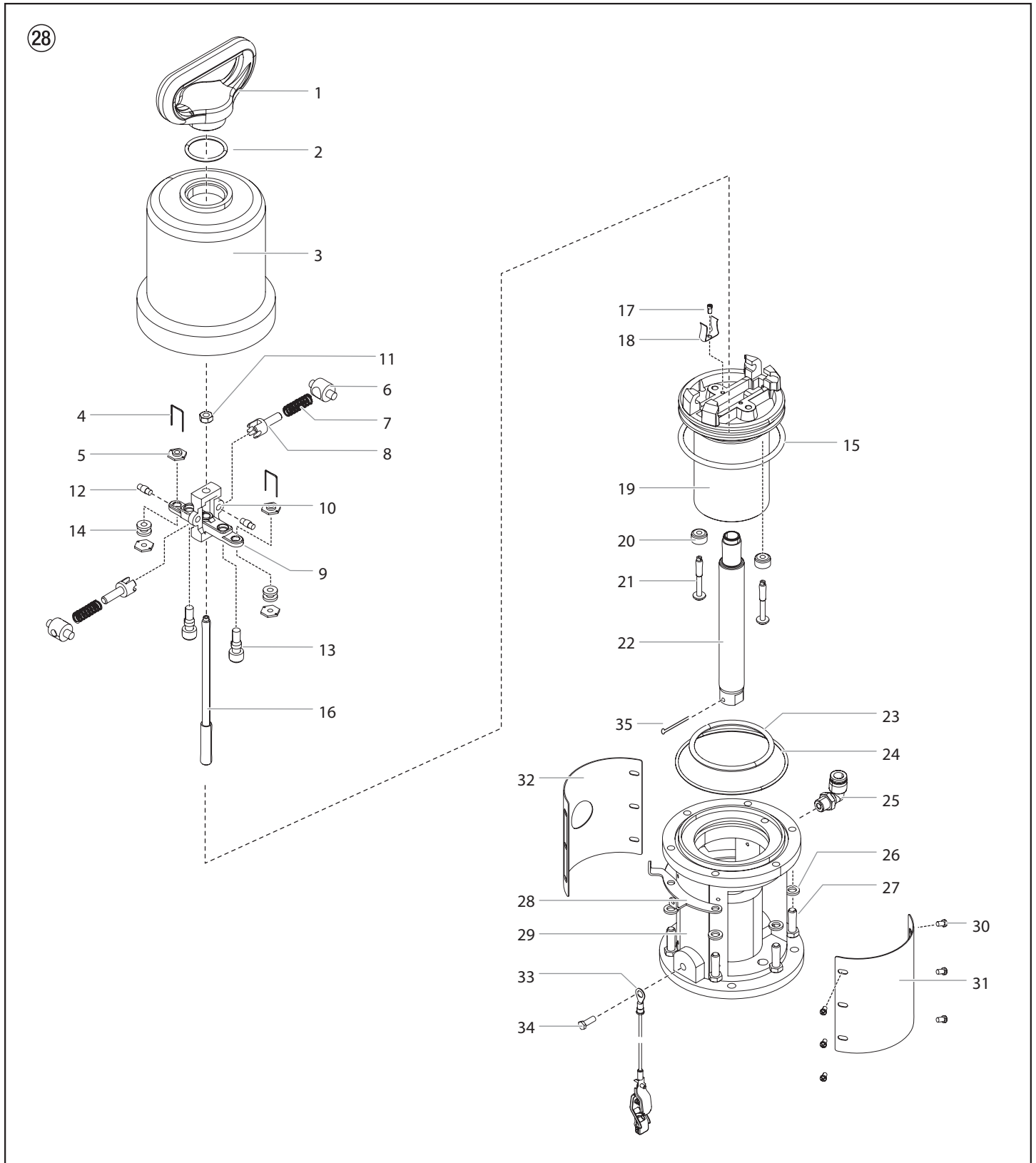
Pos.	630W 630C	Ⓒ Description	Ⓓ Benennung	Ⓕ Description
1	0533463	Shroud screw (19)	Schraube (19)	Vis de capot (19)
2	0533465	Shroud, front	Abdeckung, Vorderseite	Capot, avant
3	0533466	Ring	Ring	Anneau
4	0533468	Shroud, top	Abdeckung, Oberseite	Capot, dessus
5	0533470	Fitting, air inlet	Anschluss, Lufteinlass	Raccord, entrée d'air
6	0533592	Bracket	Halterung	Support
7	0533475	Screw (2)	Schraube (2)	Vis (2)
8	0533496	Elbow, 90°	Winkel, 90°	Coude, 90°
9	0533478	Tube (connects items 8 and 20)	Schlauch (verbindet Pos. 8 und 20)	Tube (raccorde les articles 8 et 20)
10	0533479	Lubricator drain hose	Rücklaufschlauch der Druckluftöler	Tuyau de vidange du lubrificateur
11	0533482	Nipple	Nippel	Raccord
12	0533593	Elbow, 90°	Winkel, 90°	Coude, 90°
13	0533594	Ball valve	Ballventil	Soupape à bille
14	0533621	Connector	Anschluss	Raccord
15	0533595	Air tube	Luftschlauch	Tube d'air
16	0533846	Pressure gauge (2)	Manometer (2)	Manomètre (2)
17	0533616	Shroud, left	Abdeckung, links	Capot, gauche
18	0533490	Bracket (2)	Halterung (2)	Support (2)
19	0533495	Shroud, right	Abdeckung, rechts	Capot, droit
20	0533491	Elbow, 90°	Winkel, 90°	Coude, 90°
21	0533501	Shroud, rear	Abdeckung, Rückseite	Capot, Arrière
22*	0533512	Filter, regulator, lubricator assembly	Filter/Regler/Baugruppe Schmiervorrichtung	Lubrificateur automatique
23	9821503	Lock washer (2)	Sicherungsscheibe (2)	Rondelle de blocage (2)
24	9810108	Nut (2)	Mutter (2)	Écrou (2)

- * See separate listing
- * Siehe separate Auflistung
- * voir la liste de pièces distincte

Ⓒ GB Air Motor Assembly

Ⓒ D Luftmotor

Ⓒ F Moteur pneumatique

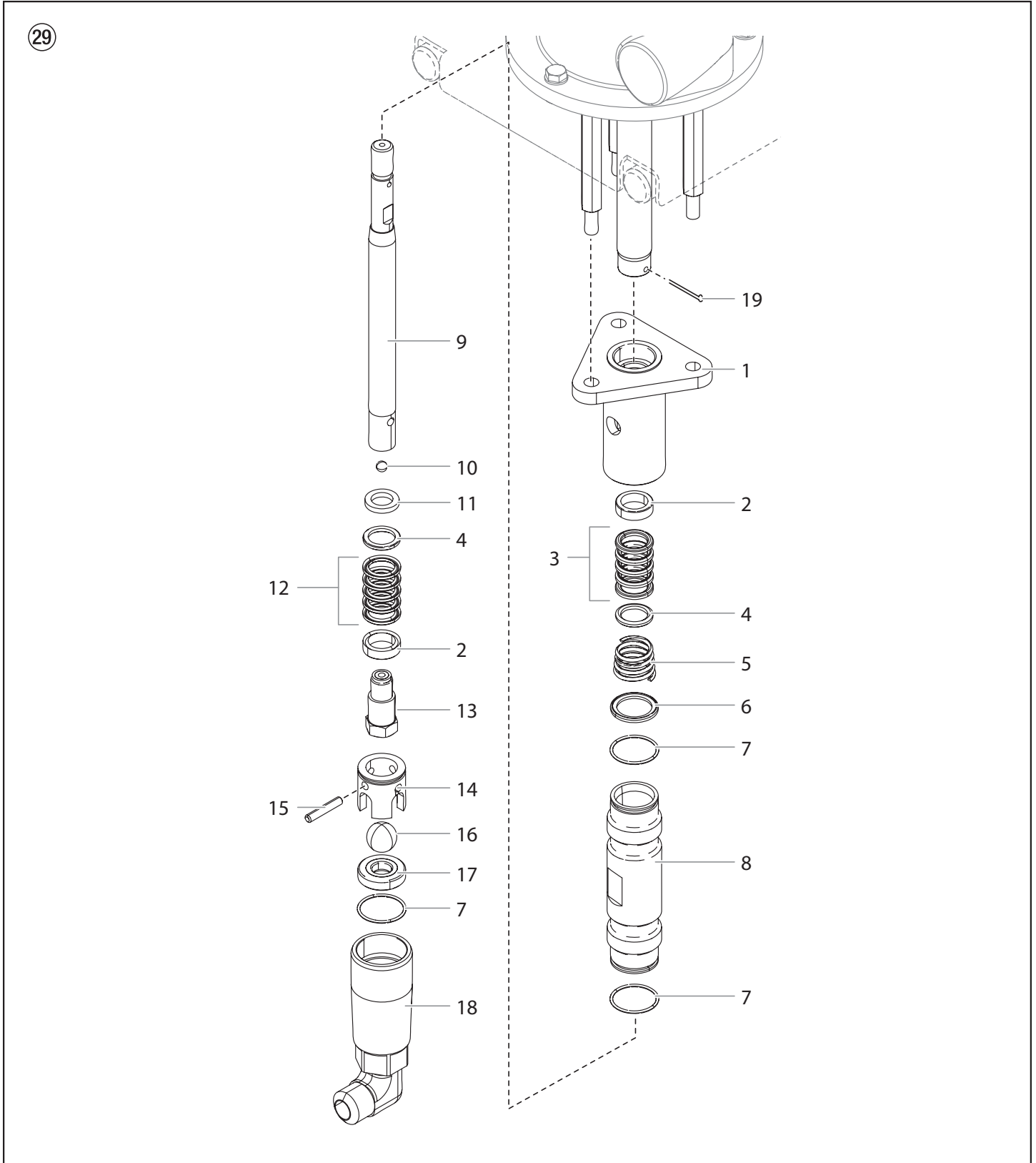


Pos.	630W 630C	(GB) Description	(D) Benennung	(F) Description
1	0533392	Lift ring	Hebering	Anneau de levage
2	0533365	O-ring	O-Ring	Joint torique
3	0533393	Air motor cylinder	Luftmotorzylinder	Cylindre du moteur pneumatique
4	0533367	Lockwire (2)	Sicherungsdraht (2)	Fil à freiner (2)
5	0533368	Adjusting nut (4)	Stellmutter (4)	Écrou de réglage (4)
6	0533369	Rocker, toggle (2)	Wippenschalter (2)	Balancier, volet (2)
7	0533370	Spring (2)	Feder (2)	Ressort
8	0533371	Arm, toggle (2)	Koppel (2)	Bras, volet (2)
9	0533596	Actuator, valve	Ventilantrieb	Actionneur, soupape
10	0533373	Trip rod yoke	Bügel Auslösestange	Bloc de bobinage de la tige de déclenchement
11	0533374	Nut, 5/16" X 18TPI	Mutter, 5/16" X 18TPI	Écrou, 5/16" X 18TPI
12	0533375	Toggle pin (2)	Stift Umschalter (2)	Goupille du volet (2)
13	0533376	Valve poppet (2)	Ventilteller (2)	Champignon de la soupape (2)
14	0533377	Grommet (2)	Tülle (2)	Anneau isolant (2)
15	0533597	O-ring	O-Ring	Joint torique
16	0533587	Trip rod	Auslösestange	Tige de déclenchement
17	0533380	Screw, 5/32 x 1/4 (2)	Schraube, 5/32 x 1/4 (2)	Vis, 5/32 x 1/4 (2)
18	0533381	Spring clip (2)	Federklammer (2)	Agrafe-ressort (2)
19	0533394	Piston	Kolben	Piston
20	0533383	Valve stem poppet (2)	Ventilschaft-Teller (2)	Champignon de la tige de soupape (2)
21	0533384	Valve stem (2)	Ventilschaft (2)	Tige de soupape (2)
22	0533395	Piston rod	Kolbenstange	Tige de piston
23	0533397	O-ring	O-Ring	Joint torique
24	0533396	Seal, flat	Flachdichtung	Joint d'étanchéité, plat
25	0533588	Elbow, 90°	Winkel, 90°	Coude, 90°
26	51357	Spring washer (8)	Federscheibe (8)	Rondelle à ressort (8)
27	0533399	Screw (8)	Schraube (8)	Vis (8)
28	0533503	Bracket (2)	Halterung (2)	Support (2)
29	0533400	Motor base	Motorenfuß	Base du moteur
30	0533504	Screw (12)	Schraube (12)	Vis (12)
31	0533506	Cover, front	Platte, Vorderseite	Couvercle, avant
32	0533508	Cover, rear	Platte, Rückseite	Couvercle, arrière
33	0533509	Grounding wire	Erdungskabel	Câble de mise à la terre
34	0533510	Ground screw	Erdungsschraube	Vis de borne de terre
35	0533441	Pin	Stift	Goupille
	0533925	Motor service kit (includes items 4-5, 13-15, 18, 20-21, 23-24 and 35)	Motor-Service-Kit (beinhaltet Posten 4-5, 13-15, 18, 20-21, 23-24 und 35)	Trousse d'entretien du moteur (comprend les articles 4-5, 13-15, 18, 20-21, 23-24 et 35)

(GB) Fluid Pump Assembly

(D) Flüssigkeitspumpe

(F) Pompe de fluides

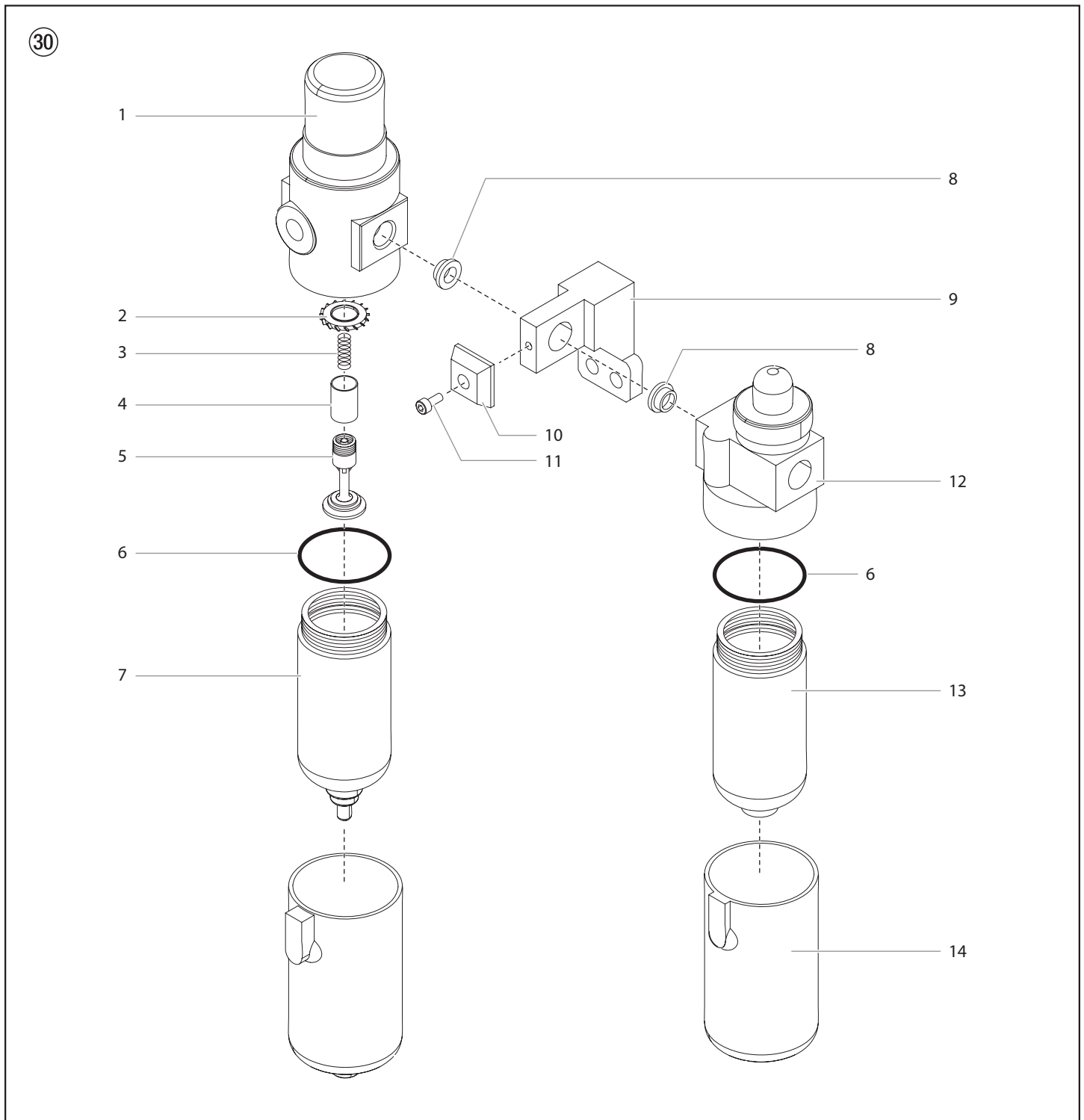


Pos.	630W 630C	Ⓞ Description	Ⓞ Benennung	Ⓞ Description
1	0533600	Pump block	Pumpenblock	Groupe de pompage
2	0533601	Gland, female (2)	Stutzen, mit Wulst (2)	Fouloir, femelle (2)
3	0533602	Upper packing, leather (3)	Obere Packung, Leder / PTFE (2)	Garniture supérieure, cuir / PTFE (2)
	0533603	Upper packing, PTFE (2)	Obere Packung, Leder / PTFE (2)	Garniture supérieure, cuir / PTFE (2)
4	0533604	Gland, male (2)	Stutzen (2)	Fouloir, mâle (2)
5	0533605	Upper packing spring	Konusfeder	Ressort de garniture supérieure
6	0533606	Gasket	Dichtung	Joint statique
7	0533408	O-ring, PTFE (4)	O-Ring, PTFE (4)	Joint torique, PTFE (4)
8	0533608	Cylinder	Zylinder	Cylindre
9	0533609	Piston rod	Kolbenstange	Tige de piston
10	569-016	Ball, 3/8"	Kugel, 3/8"	Bille, 3/8"
11	0533610	Retainer	Halterung	Dispositif de retenue
12	0533602	Lower packing, leather (3)	Untere Packung, Leder (3)	Garniture inférieure, cuir (3)
	0533603	Lower packing, PTFE (2)	Untere Packung, PTFE (2)	Garniture inférieure, PTFE (2)
13	0533611	Piston seat assembly	Kolbensitzbaugruppe	Ensemble du siège de piston
14	0533612	Ball cage assembly	Kugelführung	Guide de bille
15	0533613	Ball pin	Kugelbolzen	Goupille de bille
16	211-129	Ball, 7/8"	Kugel, 7/8"	Bille, 7/8"
17	0533614	Ball seat	Kugelsitz	Queue à bille
18	0533615	Foot valve assembly	Einlassventilgehäuse	Logement du clapet de pied
19	0533441	Pin	Stift	Goupille
	0533934	Fluid pump service kit (includes items 2-4, 7, 10, 12, 16, 19 and Loctite sealant 426-051)	Pumpen-Service-Kit (beinhaltet Posten 2-4, 7, 10, 12, 16, 19, sowie das Dichtungsmittel Loctite 426-051)	Trousse d'entretien de la pompe (comprend les articles 2-4, 7, 10, 12, 16, 19 et le mastic Loctite 426-051.

(GB) Automatic filter, lubricator, regulator assembly

(D) Filter/Regler/Baugruppe Schmiervorrichtung

(F) Filtre, Lubrificateur, regulateur automatique

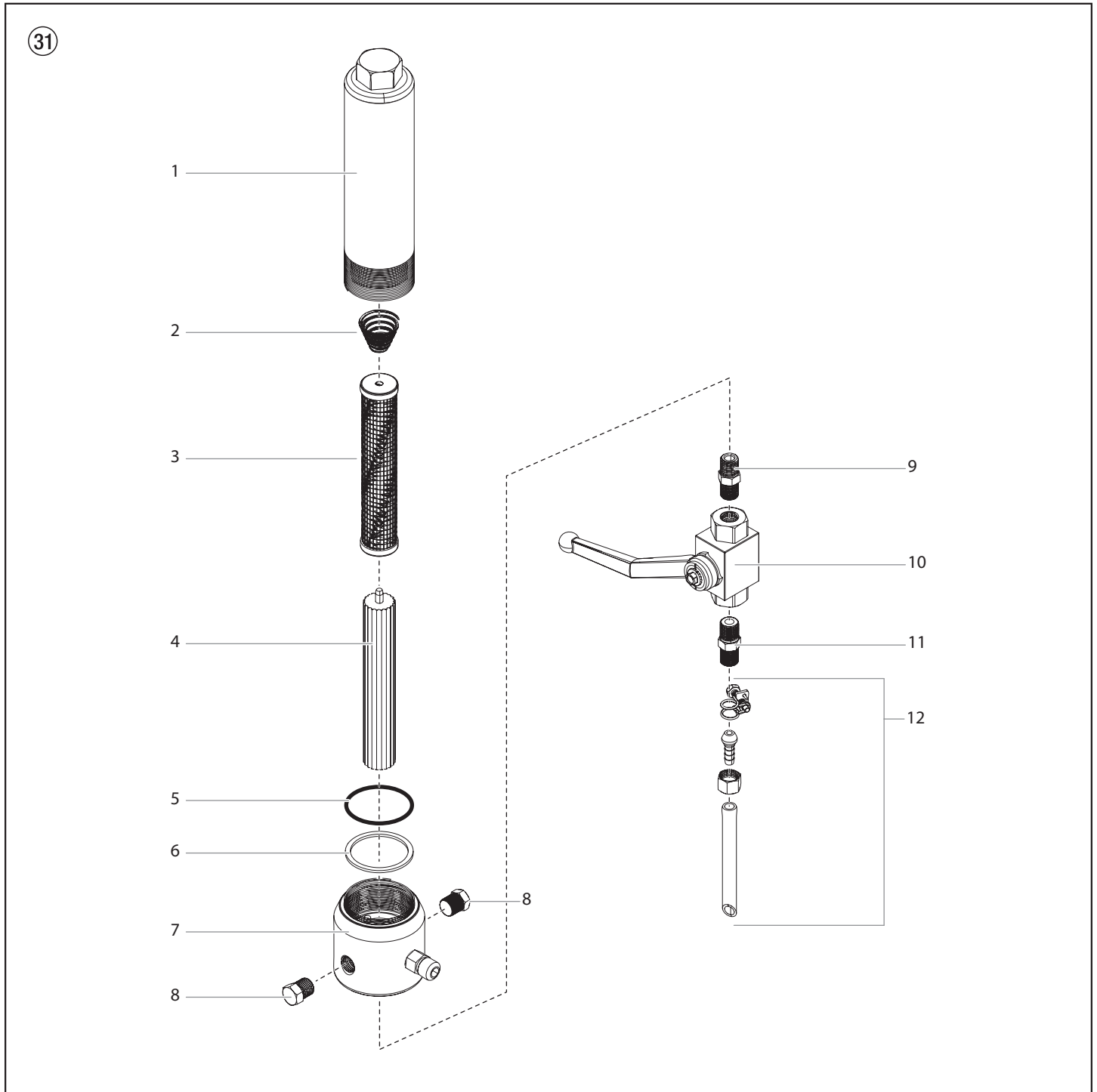


Pos.	630W 630C	(GB) Description	(D) Benennung	(F) Description
1	0533635	Air regulator body	Baugruppe Luftregler	Ensemble du régulateur d'air
2	0533567	Cap	Deckel	Bouchon
3	0533568	Spring	Feder	Ressort
4	0533569	Filter element	Filterelement	Élément filtrant
5	0533570	Stem	Schaft	Tige
6	0533571	O-ring (2)	O-Ring (2)	Joint torique (2)
7	0533572	Filter bowl	Filterbecher	Cuve de filtre
8	0533573	Seal (2)	Dichtung (2)	Joint statique (2)
9	0533130	Body connector (includes items 10-11)	Gehäusestecker (beinhaltet Posten 10-11)	Connecteur du corps (comprend les articles 10-11)
10	-----	Cap	Deckel	Bouchon
11	-----	Screw	Schraube	Vis
12	0533575	Lubricator body	Baugruppe Drip-Control	Ensemble de contrôle du goutte-à-goutte
13	0533576	Lubricator bowl	Druckluftölerbecher	Cuve de lubrificateur
14	0533585	Bowl shroud (2)	Becherabdeckung (2)	Capot de la cuve (2)
	0533929	Regulator relieving repair kit	Regulator relieving repair kit	Trousse de réparation du régulateur de décompression
	0533931	Body connector O-ring kit (10 pieces)	O-Ring-Kit für Gehäuseanschluss (10 Stück)	Trousse du joint torique du connecteur du corps (10 pièces)

Ⓒ High Pressure Filter

Ⓓ Hochdruckfilter

Ⓕ Filtre à haute pression



Pos.	630W 630C	(GB) Description	(D) Benennung	(F) Description
1	0533636	Filter cap	Gehäusedeckel	Couvercle du corps
2	0533513	Spring	Feder	Ressort
3	0533514	Filter element, 60 M	Filterpatrone, 60 Maschen	Cartouche de filtre 60 mailles
4	0533515	Filter support	Stützung	Support du filtre
5	0533533	O-ring, PTFE	O-Ring, PTFE	Joint torique, PTFE
6	0533523	Gasket, PTFE (thin)	Dichtung dünn, PTFE	Joint PTFE, mince
7	0533637	Filter body	Gehäuse	Corps
8	0533638	Pipe plug (2)	Verschlussschraube (2)	Vis bouchon (2)
9	0533639	Nipple	Nippel	Raccord
10	0533517	Bleed valve assembly	Ablassschlauchbaugruppe	Assemblage de la soupape de décharge
11	0533634	Nipple	Nippel	Raccord
12	0533127	Return tube assembly	Rücklaufschlauchbaugruppe	Assemblage de tube de retour

Filter Assembly Specifications

Maximum Working Pressure	5000 psi (34.5 MPa)
Filter Area	15 In ² (97 cm ²)
Outlet Ports	(1) 1/4" NPT(F) for bleed valve (1) 1/4" NPT(F) with nipple (1) 3/8" NPT(F) with 3/8 NPSM(M) swivel
Wetted Parts	Stainless steel, PTFE

Spezifikationen

Maximaler Arbeitsdruck	34,5 MPa (5000 psi)
Filterbereich	97 cm ² (15 In ²)
Ablässöffnungen	(1) 1/4" NPT(F) für das Ablassventil (1) 1/4" NPT(F) für Nippel (1) 3/8" NPT(F) mit 3/8 NPSM(M) Schlauchverbindung
Pièces mouillées	Edelstahl, PTFE

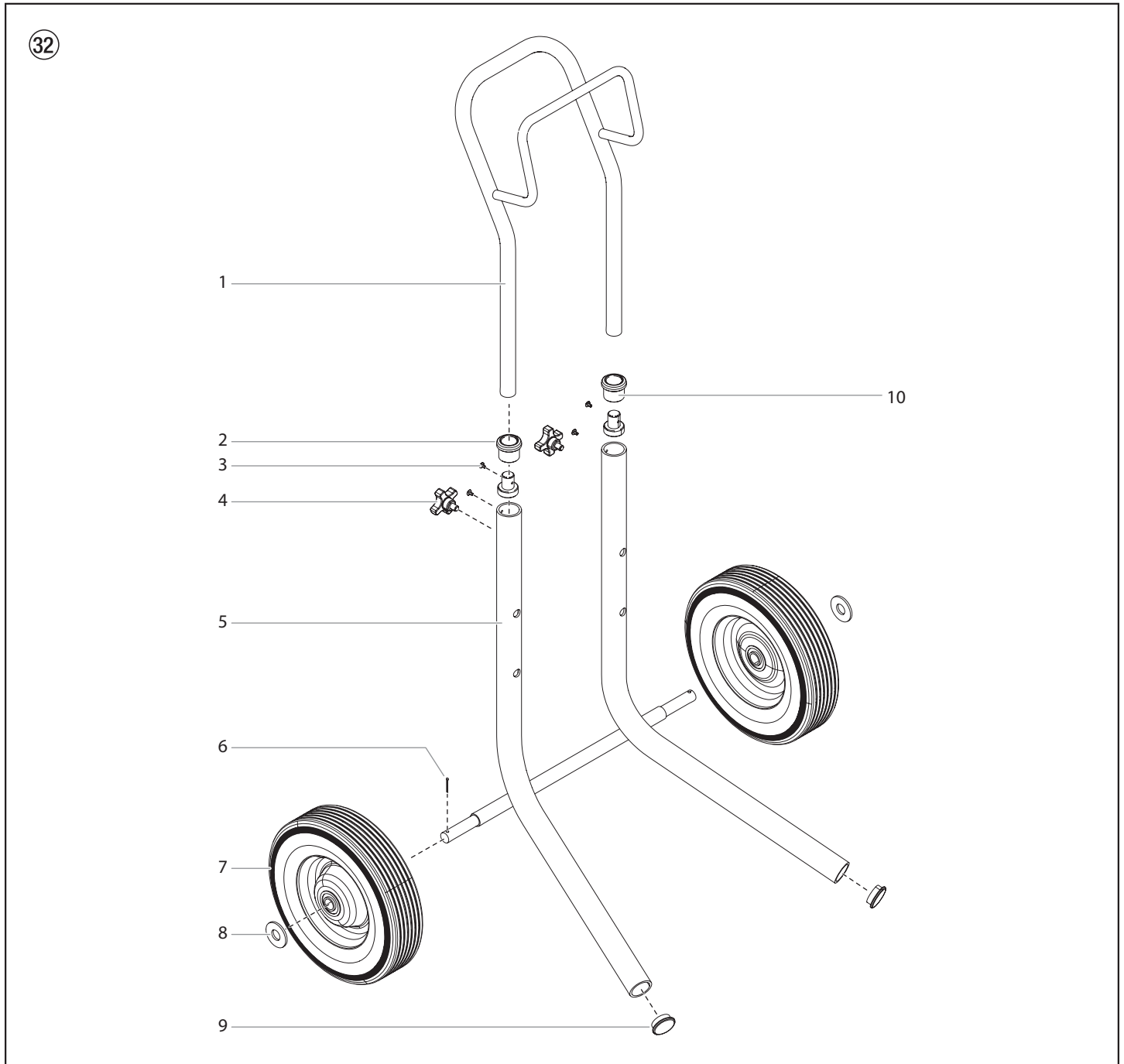
Caractéristiques

Pression de travail maximale	34,5 MPa (5000 psi)
Surface du filtre	97 cm ² (15 In ²)
Orifices de sortie	(1) 1/4" NPT(F) pour la soupape de décharge (1) 1/4" NPT (F) pour raccord (1) 3/8" NPT(F) avec raccord de tuyau 3/8 NPSM(M)
Pièces mouillées	Acier inoxydable, PTFE

Ⓒ GB **Cart Assembly**

Ⓒ F **Wagen**

Ⓒ F **Ensemble de chariot**



Pos.	630C	Ⓞ Description	Ⓞ Benennung	Ⓞ Description
1	0533545	Handle assembly	Handgriff	Poignée
2	0533546	Handle sleeve (2)	Griffhülse (2)	Manchon d'accouplement de la poignée (2)
3	0533504	Screw (4)	Schraube (4)	Vis (4)
4	0533548	Knob (2)	Knopf (2)	Bouton (2)
5	0533549	Cart	Rahmen	Chariot
6	0533550	Pin (2)	Stift (2)	Goupille (2)
7	0533551	Wheel (2)	Rad (2)	Roue (2)
8	0533552	Wheel spacer (2)	Abstandhalter (2)	Espaceur de roue (2)
9	0533553	Plug (2)	Stöpsel (2)	Fiche (2)
10	0533619	Sleeve (2)	Hülse (2)	Manchon (2)



Warranty

Titan Tool, Inc. ("Titan") warrants that at the time of delivery to the original purchaser for use ("End User"), the equipment covered by this warranty is free from defects in material and workmanship. With the exception of any special, limited, or extended warranty published by Titan, Titan's obligation under this warranty is limited to replacing or repairing without charge those parts which, to Titan's reasonable satisfaction, are shown to be defective within twelve (12) months after sale to the End User. This warranty applies only when the unit is installed and operated in accordance with the recommendations and instructions of Titan.

This warranty does not apply in the case of damage or wear caused by abrasion, corrosion or misuse, negligence, accident, faulty installation, substitution of non-Titan component parts, or tampering with the unit in a manner to impair normal operation.

Defective parts are to be returned to an authorized Titan sales/service outlet. All transportation charges, including return to the factory, if necessary, are to be borne and prepaid by the End User. Repaired or replaced equipment will be returned to the End User transportation prepaid.

THERE IS NO OTHER EXPRESS WARRANTY. TITAN HEREBY DISCLAIMS ANY AND ALL IMPLIED WARRANTIES INCLUDING, BUT NOT LIMITED TO, THOSE OF MERCHANTABILITY AND FITNESS FOR A PARTICULAR PURPOSE, TO THE EXTENT PERMITTED BY LAW. THE DURATION OF ANY IMPLIED WARRANTIES WHICH CANNOT BE DISCLAIMED IS LIMITED TO THE TIME PERIOD SPECIFIED IN THE EXPRESS WARRANTY. IN NO CASE SHALL TITAN LIABILITY EXCEED THE AMOUNT OF THE PURCHASE PRICE. LIABILITY FOR CONSEQUENTIAL, INCIDENTAL OR SPECIAL DAMAGES UNDER ANY AND ALL WARRANTIES IS EXCLUDED TO THE EXTENT PERMITTED BY LAW.

TITAN MAKES NO WARRANTY AND DISCLAIMS ALL IMPLIED WARRANTIES OF MERCHANTABILITY AND FITNESS FOR A PARTICULAR PURPOSE WITH RESPECT TO ACCESSORIES, EQUIPMENT, MATERIALS OR COMPONENTS SOLD BUT NOT MANUFACTURED BY TITAN. THOSE ITEMS SOLD, BUT NOT MANUFACTURED BY TITAN (SUCH AS GAS ENGINES, SWITCHES, HOSES, ETC.) ARE SUBJECT TO THE WARRANTY, IF ANY, OF THEIR MANUFACTURER. TITAN WILL PROVIDE THE PURCHASER WITH REASONABLE ASSISTANCE IN MAKING ANY CLAIM FOR BREACH OF THESE WARRANTIES.

Register your product online at www.titantool.com

United States Sales & Service

Phone: 1-800-526-5362

Fax: 1-800-528-4826

1770 Fernbrook Lane
Plymouth, MN 55447
www.titantool.com

International Sales

international@titantool.com

Fax: 1-763-519-3509

1770 Fernbrook Lane
Plymouth, MN 55447